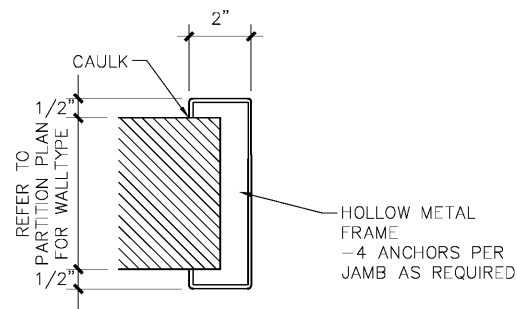


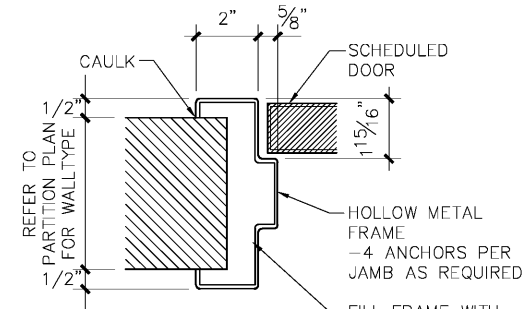
DOOR SCHEDULE										
DOOR					FRAME			REMARKS		
DOOR NO.	DOOR TYPE	DOOR SIZE	THICK	DOOR MATL.	MATL.	HEAD	JAMB	DOOR LABEL	GLASS	
URBAN LIFE										
495	A	3'-0" X 7'-0"	1 3/4"	WD	HM	11/UL A4.1	11/UL A4.1			ELECTRIC DOOR ACTUATOR
495A	A	3'-0" X 7'-0"	1 3/4"	WD	HM	11/UL A4.1	11/UL A4.1			ELECTRIC DOOR ACTUATOR
497	A	3'-0" X 7'-0"	1 3/4"	WD	HM	11/UL A4.1	11/UL A4.1			ELECTRIC DOOR ACTUATOR
497A	A	3'-0" X 7'-0"	1 3/4"	WD	HM	11/UL A4.1	11/UL A4.1			ELECTRIC DOOR ACTUATOR

FINISH SCHEDULE									
SEE DIVISION 9 SPECIFICATION SECTIONS FOR MORE INFORMATION									
ROOM NO.	ROOM NAME	FLOOR	BASE	WALLS				CEILING MATERIAL	REMARKS
				NORTH	EAST	SOUTH	WEST		
URBAN LIFE BUILDING									
495	RESTROOM	CT-2	CT-1	CT-1	CT-1	CT-1	CT-1	ACT-1	
495A	RESTROOM	CT-2	CT-1	CT-1	CT-1	CT-1	CT-1	ACT-1	
497	RESTROOM	CT-2	CT-1	CT-1	CT-1	CT-1	CT-1	ACT-1	
497A	RESTROOM	CT-2	CT-1	CT-1	CT-1	CT-1	CT-1	ACT-1	

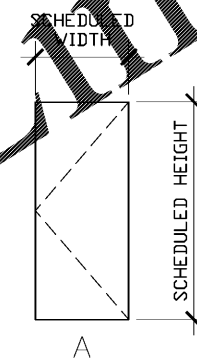
NOTE: There will be multiple paint colors TBD



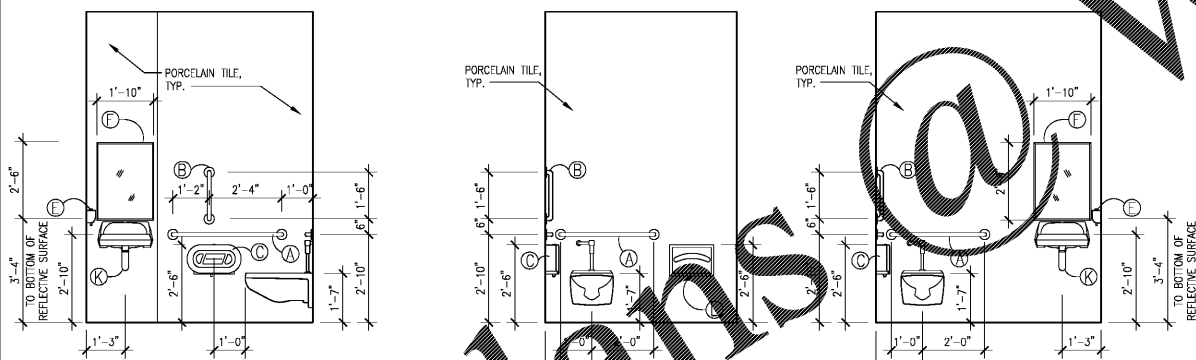
10 HEAD / JAMB
UL A4 SCALE: 3" = 1'-0"



11 HEAD / JAMB
UL A4 SCALE: 3" = 1'-0"



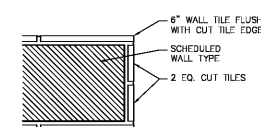
12 DOOR TYPES
UL A4 SCALE: NTS



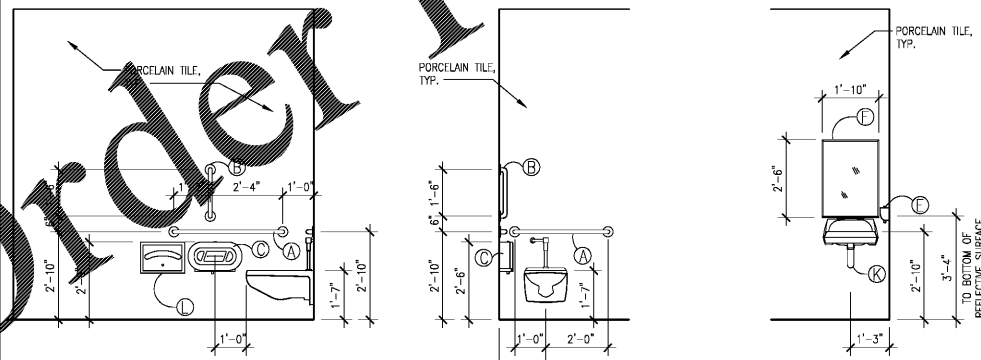
4 TOILET ELEVATION
UL A4 SCALE: 1/4" = 1'-0"

5 TOILET ELEVATION
UL A4 SCALE: 1/4" = 1'-0"

6 TOILET ELEVATION
UL A4 SCALE: 1/4" = 1'-0"



7 TILE CORNER
UL A4 SCALE: 1 1/2" = 1'-0"



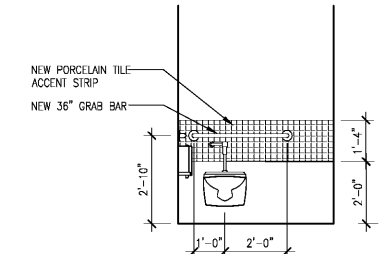
1 TOILET ELEVATION
UL A4 SCALE: 1/4" = 1'-0"

2 TOILET ELEVATION
UL A4 SCALE: 1/4" = 1'-0"

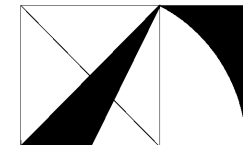
3 LAV. ELEVATION
UL A4 SCALE: 1/4" = 1'-0"

KEY	ITEM	BASIS OF DESIGN
A	36" & 42" GRAB BAR (1.5 dia) WITH CONCEALED MOUNTING	BOBRICK # B-6806 SATIN
B	18" GRAB BAR (1.5 dia) WITH CONCEALED MOUNTING	BOBRICK # B-6806 SATIN
C	SURFACE MOUNTED MULTI-ROLL TOILET TISSUE DISPENSER	BOBRICK # B-2892
D	SURFACE MOUNTED SOAP DISPENSER	BY OWNER - N.I.C.
E	STAINLESS STEEL CHANNEL FRAME MIRROR SATIN	BY OWNER - N.I.C.
F	PARTITION MOUNTED FEMINE NAPKIN / TAMPON DISPENSER	BY CONTRACTOR
G	MOTION SENSOR, SURFACE MOUNTED PAPER TOWEL DISPENSER	BY OWNER - N.I.C.
H	LAVATORY PIPE INSULATION	BROCAR, TRAP WRAP
I	TOILET SEAT COVER DISPENSER	BY CONTRACTOR
J	TOILET PARTITIONS FLOOR ANCHORED, OVERHEAD BRACED	ACCURATE PARTITIONS CORP
K	STAINLESS STEEL CONTINUOUS HINGES, SATIN FINISH - SEE NOTE BELOW	ACCURATE PARTITIONS CORP
L	URINAL SCREEN - STAINLESS STEEL SATIN FINISH - SEE NOTE BELOW	ACCURATE PARTITIONS CORP
M	TOILET PARTITIONS FLOOR ANCHORED, OVERHEAD BRACED	ACCURATE PARTITIONS CORP
N	URINAL SCREEN - STAINLESS STEEL SATIN FINISH - SEE NOTE BELOW	ACCURATE PARTITIONS CORP
O	TOILET PARTITIONS FLOOR ANCHORED, OVERHEAD BRACED	ACCURATE PARTITIONS CORP
P	TOILET PARTITIONS FLOOR ANCHORED, OVERHEAD BRACED	ACCURATE PARTITIONS CORP
Q	TOILET PARTITIONS FLOOR ANCHORED, OVERHEAD BRACED	ACCURATE PARTITIONS CORP
R	TOILET PARTITIONS FLOOR ANCHORED, OVERHEAD BRACED	ACCURATE PARTITIONS CORP
S	TOILET PARTITIONS FLOOR ANCHORED, OVERHEAD BRACED	ACCURATE PARTITIONS CORP
T	TOILET PARTITIONS FLOOR ANCHORED, OVERHEAD BRACED	ACCURATE PARTITIONS CORP
U	TOILET PARTITIONS FLOOR ANCHORED, OVERHEAD BRACED	ACCURATE PARTITIONS CORP
V	TOILET PARTITIONS FLOOR ANCHORED, OVERHEAD BRACED	ACCURATE PARTITIONS CORP
W	TOILET PARTITIONS FLOOR ANCHORED, OVERHEAD BRACED	ACCURATE PARTITIONS CORP
X	TOILET PARTITIONS FLOOR ANCHORED, OVERHEAD BRACED	ACCURATE PARTITIONS CORP
Y	TOILET PARTITIONS FLOOR ANCHORED, OVERHEAD BRACED	ACCURATE PARTITIONS CORP
Z	TOILET PARTITIONS FLOOR ANCHORED, OVERHEAD BRACED	ACCURATE PARTITIONS CORP

NOTES:
1. ACCEPTABLE MANUFACTURERS: AJ WASHROOM, AMERICAN SPECIALTIES, BRADLEY
2. INSTALL ALL ACCESSORIES PER ADA STANDARDS



9 TOILET ELEVATION
UL A4 SCALE: 1/4" = 1'-0"

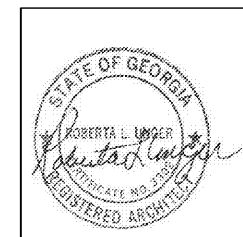


THE ARCHITECTURE GROUP, INC.

381 Virginia St.
Atlanta, GA 30313
Phone: (678) 222-0375
Fax: (678) 222-0384
tag@thearchitecturegroup.com

COPYRIGHT © 2018 BY THE ARCHITECTURE GROUP, INC. ALL RIGHTS RESERVED.

THIS DRAWING MAY NOT BE USED IN ANY MANNER NOR REPRODUCED IN ANY FORM WITHOUT PRIOR WRITTEN CONSENT FROM THE ARCHITECTURE GROUP, INC.



2018 MRRF CAMPUS-WIDE ADA IMPROVEMENTS
PROJECT No. 1GSU-026-18
TAG PROJECT No. 1706
GEORGIA STATE UNIVERSITY
ATLANTA, GEORGIA

REVISIONS	DATE

DATE: 2/5/2017
DRAWN BY: MW
CHECKED: MC
APPROVED: BU
SCALE: AS NOTED
PROJECT NUMBER: 1706
DRAWING TITLE:

ELEVATIONS, DETAILS, & SCHEDULES

DRAWING NUMBER

UL A4.1

Order Plans