

SUPPLY BRANCH DUCT. SEE SPECIFICATIONS FOR INSULATION REQUIREMENTS

SPIN-IN FITTING WITH AIR EXTRACTOR AND MANUAL DAMPER

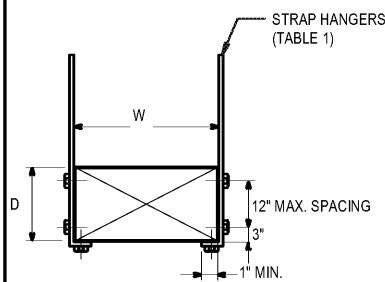
SECURE FLEXIBLE DUCT TO ROUND BRANCH DUCT AND DIFFUSER COLLAR USING STAINLESS STEEL ADJUSTABLE DRAW BANDS OR 1/4" WIDE NYLON CABLE TIES. NO EXCEPTIONS

FLEXIBLE BRANCH DUCT. MAXIMUM LENGTH 5'-0". SEE SPECIFICATIONS

CEILING SUPPLY DIFFUSER WITH ROUND NECK OR SQUARE-TO-ROUND ADAPTER

SUSPENDED ACOUSTICAL TILE CEILING

1 FLEXIBLE SUPPLY BRANCH DUCT DETAIL SCALE: NO SCALE

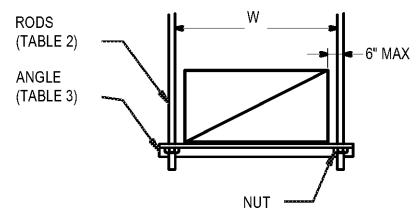


W+D MAX.	10'-0" MAX.	8'-0" MAX.	5'-0" OR LESS
72"	1"x22 GA	1"x22 GA	1"x22 GA
96"	1"x18 GA	1"x20 GA	1"x22 GA
120"		1"x18 GA	1"x22 GA
168"			1"x18 GA
192"			1"x16 GA
192"+	SPECIAL ANALYSIS REQUIRED		

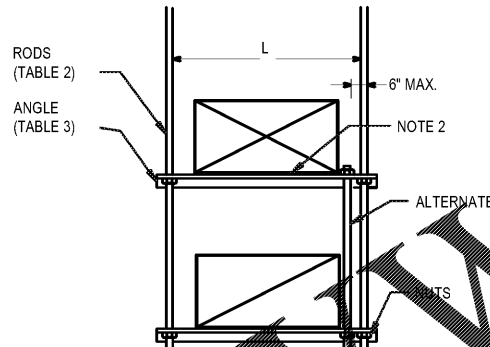
NOTES:

- TABULATED DATA FROM SMACNA ALLOWS FOR DUCT REINFORCING AND INSULATION, BUT NO EXTERNAL LOAD.
- PROVIDE HIGH DENSITY INSERT AT TRAPEZE FOR INSULATED DUCTS.

3 RECTANGULAR DUCT HANGERS DETAIL SCALE: NO SCALE

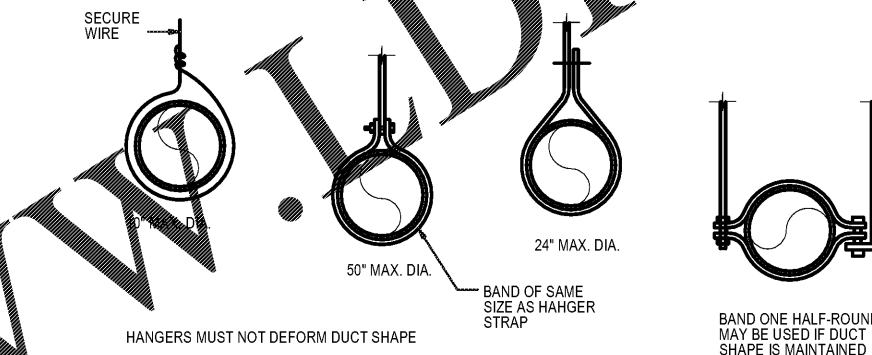


STRAPS	LBS.	RODS	LBS.
2-1"x22 GA	520	(2)x1/4" DIA	540
2-1"x22 GA	640	(2)x3/8" DIA	1360
2-1"x22 GA	840	(2)x1/2" DIA	2500
2-1"x22 GA	1400	(2)x5/8" DIA	4000
		(2)x3/4" DIA	6000



L	2" x 2" x 1/4"	2-1/2" x 2-1/2" x 1/4"
36"	1200 LBS	1940 LBS
48"	1360 LBS	1900 LBS
60"	1080 LBS	1800 LBS
72"	900 LBS	1640 LBS
84"	660 LBS	1400 LBS
96"	320 LBS	1060 LBS

2 MANUAL VOLUME DAMPERS DETAIL SCALE: NO SCALE



NOTES:

- STRAPS ARE GALVANIZED STEEL. RODS ARE UNCOATED OR GALVANIZED STEEL. WIRE IS BLACK ANNEALED, BRIGHT BASIC OR GALVANIZED STEEL. ALL ARE ALTERNATIVES.
- TABLE ALLOWS FOR CONVENTIONAL WALL THICKNESS AND JOINT SYSTEMS PLUS ONE LB/SF OF INSULATION WEIGHT. IF HEAVIER DUCTS ARE INSTALLED, ADJUST HANGER SIZES TO BE WITHIN THEIR LOAD LIMITS.
- DESIGNED FOR INDUSTRIAL GRADE SUPPORTS, INCLUDING SADDLES, SINGLE POINT TRAPEZE LOADS, LONGER SPANS AND FLANGED JOINT LOADS. SEE SMACNA'S ROUND INDUSTRIAL CONSTRUCTION STANDARDS.

MINIMUM HANGER SIZES FOR ROUND DUCT

DIAMETER	MAX SPACING	WIRE DIA.	ROD	STRAP
10" DN	12"	ONE 12 GA.	1/4"	1" X 22 GA.
11 - 18"	12"	TWO 12 GA.	1/4"	1" X 22 GA.
19 - 24"	12"	TWO 10 GA.	1/4"	1" X 22 GA.
25 - 36"	12"	TWO 8 GA.	3/8"	1" X 20 GA.
37 - 50"	12"	→	(2) 3/8"	(2) 1" X 20 GA.
51 - 60"	12"	→	(2) 3/8"	(2) 1" X 18 GA.
61 - 84"	12"	→	(2) 3/8"	(2) 1" X 16 GA.

GRILLE SCHEDULE

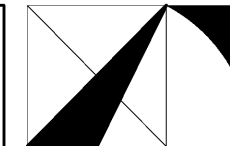
MARK	MODEL No.	FACE SIZE	NECK SIZE	THROW	FINISH	NOTES
(A)	OMNI-AA	12X12	6"	6 FEET	WHITE	1
(B)	OMNI-AA	24X24	8"	6 FEET	WHITE	1
(C)	50F	12X12	-	-	-	2

- SQUARE ALUMINUM PLAQUE FACE CEILING SUPPLY DIFFUSER. PROVIDE INSULATED SUPPLY PLENUM W/ROUND NECK. FACE SIZE AS SHOWN ON PLAN.
- 1/2"X1/2"X1/2" ALUMINUM EGG-CRATE CEILING EXHAUST GRILLE.

NOTE 3
CONICAL SPIN-IN FITTING WITH DAMPER

NOTES:

- TYPICAL FOR:
A. ALL SUPPLY DUCT
B. ALL RETURN DUCT
C. ALL EXHAUST DUCT
- PROVIDE MVD AT RUNOUT TO EACH DAMPER, GRILLE, OR REGISTER. LOCATE MVD AS FAR AWAY FROM DIFFUSER, GRILLE OR REGISTER AS POSSIBLE TO MINIMIZE NOISE.
- PROVIDE DAMPER AT TRANSITION ONLY WHEN DUCT SERVES ONE DIFFUSER, GRILLE OR REGISTER.

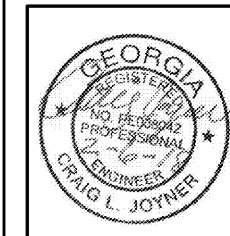


THE ARCHITECTURE GROUP, INC.

3075 Peachtree St. N.E.
Atlanta, GA 30305
Phone: (678) 222-0375
Fax: (678) 222-0384
tag@architecturegroup.com

COPYRIGHT © 2018 BY THE ARCHITECTURE GROUP, INC. ALL RIGHTS RESERVED.

THIS DRAWING MAY NOT BE USED IN ANY MANNER NOR REPRODUCED IN ANY FORM WITHOUT PRIOR WRITTEN CONSENT FROM THE ARCHITECTURE GROUP, INC.



2018 MRRF CAMPUS-WIDE
ADA IMPROVEMENTS
PROJECT No. IGSU-026-18
TAG PROJECT No. 1706
GEORGIA STATE UNIVERSITY
ATLANTA, GEORGIA

100% CD 2/5/2017

REVISIONS

DATE 2/5/2017

DRAWN BY

CHECKED

APPROVED

SCALE AS NOTED

PROJECT NUMBER 1706

DRAWING TITLE

MECHANICAL SCHEDULES AND DETAILS

DRAWING NUMBER

SC M0.2



Spencer Bristol Engineering, Inc.
A Gray Company
3577 Parkway Lane, Suite 250
Peachtree Corners, Georgia 30092
Tel. 770.414.1628 Fax 770.414.6024
SBE Project No. 1744

Order Plans