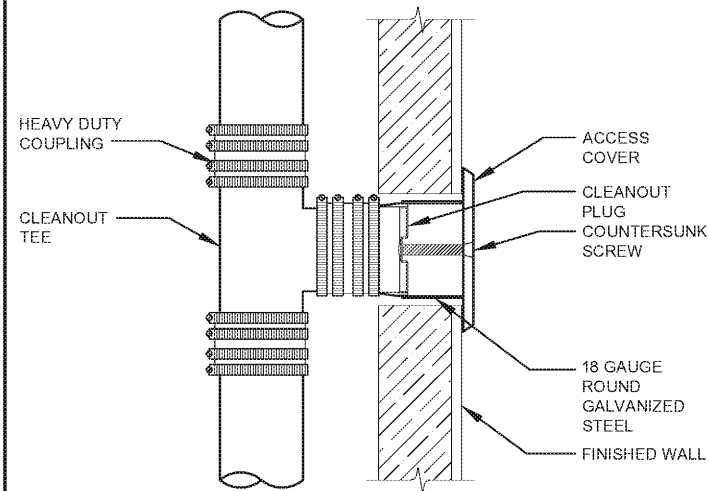
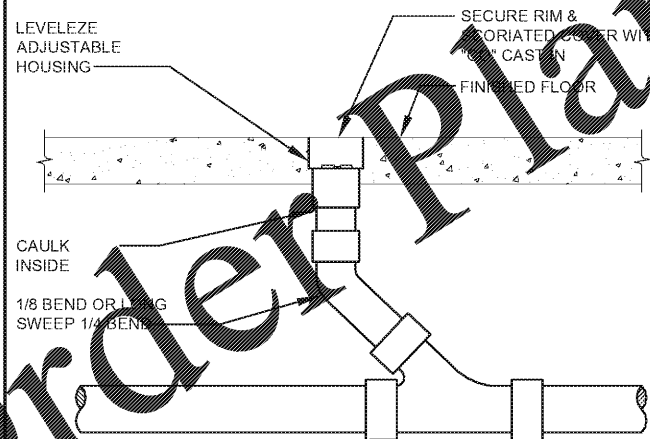


PLUMBING FIXTURE SCHEDULE (LOW FLOW ELECTRONIC FIXTURES)

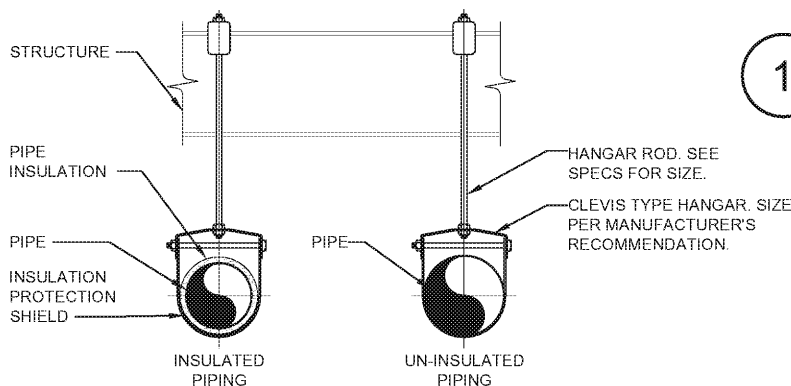
MARK	DESCRIPTION	MANUFACTURER, MODEL NUMBER	FITTINGS/ACCESSORIES	REMARKS	MINIMUM FIXTURE CONNECTIONS			
					CW	HW	WASTE	VENT
P-1	WATER CLOSET ELONGATED, WALL MTD., FLUSH VALVE	TOTO USA CT708E	FLUSH VALVE: TOTO TET1LA32#CP, SELF-POWERED; SEAT: TOTO SC534, STAINLESS STEEL HINGE, NUTS, AND WASHER.	1.28 GPF, ELONGATED, WALL MOUNTED CARRIER J.R. SMITH 0208 HORIZONTAL; J.R. SMITH 0440 VERTICAL	1"	---	3" U.N.O	2"
P-1A	WATER CLOSET ELONGATED, WALL MTD., FLUSH VALVE, ADA	TOTO USA CT708E	FLUSH VALVE: TOTO TET1LA32#CP, SELF-POWERED; SEAT: TOTO SC534, STAINLESS STEEL HINGE, NUTS, AND WASHER.	1.28 GPF, ELONGATED, WALL MOUNTED CARRIER J.R. SMITH 0208 HORIZONTAL; J.R. SMITH 0440 VERTICAL; 17" MINIMUM SEAT HEIGHT, ADA HANDLE INSTALLED ON WIDE SIDE	1"	---	3" U.N.O.	2"
P-2	URINAL WALL HUNG	TOTO UT445U	FLUSH VALVE: TOTO TEU1UA12#CP, 0.125 GPF, SELF-POWERED HYDROELECTRIC, TRUE MECH OVERRIDE.	WASHOUT URINAL, 0.125 GPF, 3/4" TOP SPUD, LOW PROFILE DOME STRAINER.	3/4"	---	2"	1-1/2"
P-2A	URINAL WALL HUNG ADA	TOTO UT445U	FLUSH VALVE: TOTO TEU1UA12#CP, 0.125 GPF, SELF-POWERED HYDROELECTRIC, TRUE MECH OVERRIDE.	WASHOUT URINAL, 0.125 GPF, 3/4" TOP SPUD, LOW PROFILE DOME STRAINER, 17" RIM HEIGHT, ADA HANDLE INSTALLED ON WIDE SIDE.	3/4"	---	2"	1-1/2"
P-3A	LAVATORY, WALL HUNG, ADA	KOHLER HUDSON K-2805-0	FAUCET: TOTO TEL155-D10ET, ECOPOWER, SELF-GENERATING HYDROPOWERED, TMV; PROVIDE WITH GRID DRAIN, TAILPIECE AND TRUEBRO "LAV-GUARD"	19"X17", WALL MOUNTED SINK W/ OVERFLOW, SINGLE HOLE, SENSOR OPERATED FAUCET, 0.5 GPM AERATOR, ADA, K-8998 P-TRAP, LF170 SUPPLY W/ FLEXIBLE RISER.	1/2"	---	1-1/2"	1-1/4"
P-3B	LAVATORY UNDERCOUNTER MOUNTED, ADA	KOHLER CAXTON K-2211-0	FAUCET: TOTO TEL155-D10ET, ECOPOWER, SELF-GENERATING HYDROPOWERED, TMV; PROVIDE WITH GRID DRAIN, TAILPIECE AND TRUEBRO "LAV-GUARD"	20-1/4"X17-1/4", UNDERCOUNTER MOUNTED SINK W/ OVERFLOW, SINGLE HOLE, SENSOR OPERATED FAUCET, 0.5 GPM, ADA, K-8998 P-TRAP, LF170 SUPPLY W/ FLEXIBLE RISER.	1/2"	1/2"	1-1/4"	1-1/4"



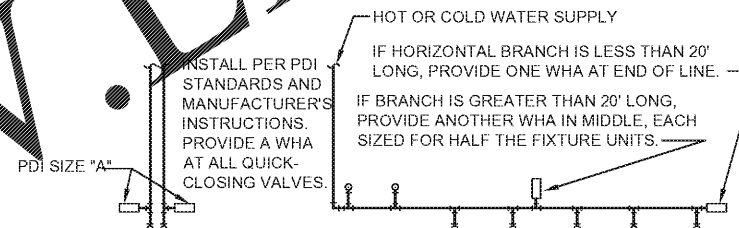
4 CAST IRON WALL CLEANOUT DETAIL
SCALE: NO SCALE



3 FLOOR CLEANOUT DETAIL
SCALE: NO SCALE



2 PIPE HANGAR DETAIL
SCALE: NO SCALE



PDI SIZE	PIPE SIZE	FIXTURE UNIT LOAD
A	1/2"	1-11
B	3/4"	12-32
C	1"	33-60
D	1-1/4"	61-113
E	1-1/2"	114-154
F	2"	154-330

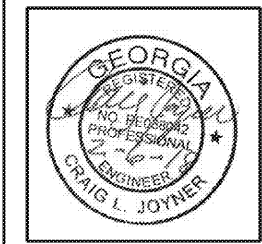
FIXTURE	COLD		HOT	
	VALVE	WATER CLOSET	WATER CLOSET	WATER CLOSET
VALVE WATER CLOSET	10	-	-	-
TANK WATER CLOSET	3	-	-	-
URNIAL	5	-	-	-
LAVATORY/SINK	2	2	-	-
SHOWER/BATHTUB	2	2	-	-

DO NOT PROVIDE AIR CHAMBERS. PROVIDE WATER HAMMER ARRESTERS BY SIOUX CHIEF, PRECISION PLUMBING PRODUCTS, WATTS OR APPROVED EQUIVALENT WITH PISTON AND O-RING CONSTRUCTION, HAVING PDI #WH-201, ASSE # 1010 AND ANSI # A112.26 1M CERTIFICATION. INSTALL IN HORIZONTAL OR VERTICAL POSITION, BUT NEVER UPSIDE DOWN. INSTALL IN LINE WITH WATER FLOW IF POSSIBLE. SIZE THE UNITS AS SHOWN ON THE DRAWINGS AND/OR PER THE TABLES SHOWN ABOVE. SIOUX CHIEF "MINI-RESTER" MAY BE USED AT EACH FIXTURE. PROVIDE ACCESSIBILITY TO "WHA" WHERE REQUIRED BY LOCAL CODE.

1 WATER HAMMER ARRESTERS
SCALE: NO SCALE



THE ARCHITECTURE GROUP, INC.
3175 Peachtree St., Atlanta, GA 30303
Phone: (678) 222-0375
Fax: (678) 222-0384
thearchitecturegroup.com



2018 MRRF CAMPUS-WIDE
ADA IMPROVEMENTS
PROJECT No. IGSU-026-18
TAG PROJECT No. 1706
GEORGIA STATE UNIVERSITY
ATLANTA, GEORGIA

100% CDs	2/5/2017
REVISIONS	
DATE	2/5/2017
DRAWN BY	
CHECKED	
APPROVED	
SCALE	AS NOTED
PROJECT NUMBER	1706
DRAWING TITLE	

PLUMBING SCHEDULES AND DETAILS
DRAWING NUMBER
SC P0.2

SPENCER BRISTOL ENGINEERING, INC.
A Gray Company
577 Parkway Lane, Suite 250
Peachtree Corners, Georgia 30092
Tel. 770.414.1628 Fax 770.414.6024
SBE Project No. 1744