

FIRE PROTECTION DESIGN CRITERIA

OCCUPANCY DESCRIPTION	TYPE OF SPRINKLER SYSTEM	OCCUPANCY CLASSIFICATION	DENSITY GPM/SF	REMOTE AREA (SF)	HEAD TYPE	FINISH	TEMP RATING (F)	MAX. SPACING (SF)	NOTES
OFFICE, CORRIDOR, RESTROOMS	WET PIPE AUTOMATIC	LIGHT HAZARD	0.10	1500	MATCH EXISTING	MATCH EXISTING	155	225	1

NOTES:

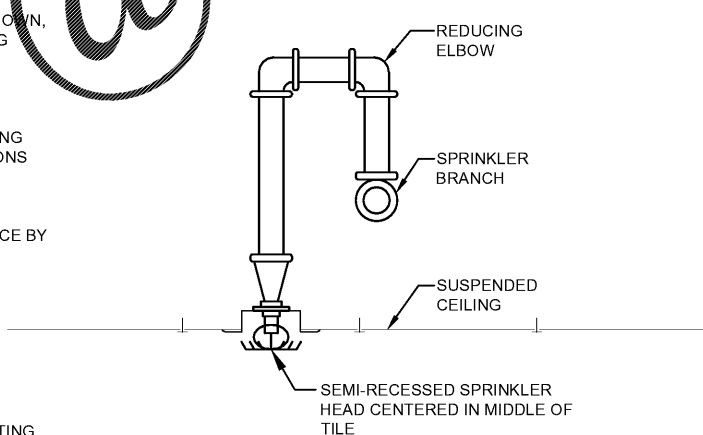
1. SPRINKLER HEAD SHALL BE LOCATED IN CENTER OF TILE.

FIRE PROTECTION GENERALNOTES:

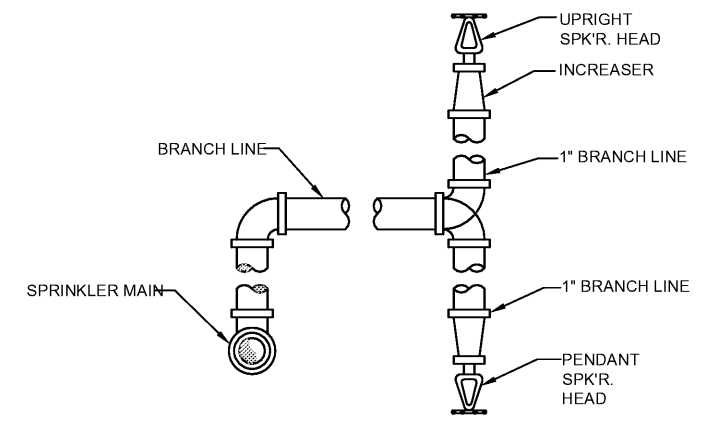
1. ALL FIRE PROTECTION WORK SHALL BE PERFORMED IN COMPLIANCE WITH THE FOLLOWING CODES, STANDARDS, AND ANY ADDITIONAL LOCAL ADOPTIONS BY THE AUTHORITY HAVING JURISDICTION (AHJ):
 - NFPA 13, 2013
 - NFPA 14, 2013
 - NFPA 24, 2013
 - NFPA 72, 2013
 - NFPA 101, 2013
 - RULES AND REGULATIONS OF THE SAFETY FIRE COMMISSIONER, CHAPTER 120-3-3 RULES AND REGULATIONS FOR THE STATE MINIMUM FIRE SAFETY STANDARDS.
2. THE FIRE PROTECTION SYSTEM SHALL BE A WET TYPE, COMBINATION STANDPIPE/SPRINKLER SYSTEM, WITH AUTOMATIC SPRINKLERS THROUGHOUT THE FACILITY AS SHOWN. PER THE RULES AND REGULATIONS OF THE SAFETY FIRE COMMISSIONER, CHAPTER 120-3-3 - RULES AND REGULATIONS FOR THE STATE MINIMUM FIRE SAFETY, THE HYDRAULICALLY DESIGNED STANDPIPE SYSTEM SHALL MEET THE PRESSURE REQUIREMENTS OF THE LOCAL FIRE CODE OFFICIAL. AUTOMATIC STANDPIPE SYSTEM SHALL BE DESIGNED FOR A MINIMUM RESIDUAL STANDPIPE PRESSURE OF 65 PSI IS REQUIRED AT THE MOST REMOTE STANDPIPE. MANUAL WET STANDPIPES SHALL BE DESIGNED FOR A MINIMUM RESIDUAL STANDPIPE PRESSURE OF 100 PSI IS REQUIRED AT THE MOST REMOTE STANDPIPE, WITH THE CALCULATIONS TERMINATING AT THE FIRE DEPARTMENT CONNECTION.
3. REVIEW ALL DRAWINGS, CONSTRUCTION DOCUMENTS AND SPECIFICATION PRIOR TO BID. COORDINATE SPRINKLER PIPING AND HEAD LOCATIONS WITH DUCTWORK AND LIGHTING FIXTURES.
4. PREPARE FIRE SPRINKLER SHOP DRAWINGS AND HYDRAULIC CALCULATIONS IN ACCORDANCE WITH NFPA 13, AND FIRE SPRINKLER SPECIFICATION. CONFIRM THE OCCUPANCY OF EACH SPACE PRIOR TO START OF WORK TO DETERMINE THE OCCUPANCY CLASSIFICATION. DRAWINGS SHALL BE SUBMITTED TO THE AUTHORITY HAVING JURISDICTION, THE STATE FIRE MARSHAL, THE ARCHITECT AND THE OWNER'S FIRE PROTECTION CONSULTANT FOR REVIEW AND APPROVAL. FABRICATION AND INSTALLATION SHALL NOT COMMENCE WITHOUT WRITTEN AUTHORIZATION FROM THE OWNER PRIOR TO OBTAINING APPROVED SHOP DRAWINGS. OBTAIN A CURRENT FLOW TEST FOR THE HYDRAULIC CALCULATIONS.
5. HYDRAULIC CALCULATIONS SHALL BE OMITTED IF THE MODIFICATIONS OF THE SYSTEM FALL WITH IN THE REQUIREMENTS OF THE RULES AND REGULATIONS OF THE SAFETY FIRE COMMISSIONER, CHAPTER 120-3-3 RULES AND REGULATIONS FOR THE STATE MINIMUM FIRE SAFETY STANDARDS, SPECIFICALLY SECTIONS THAT MODIFY NFPA 13, "4.4 MODIFICATIONS OF EXISTING SPRINKLER SYSTEMS". THE CONTRACTOR SHALL SUBMIT SHOP DRAWINGS TO THE AUTHORITY HAVING JURISDICTION AND THE ENGINEER FOR REVIEW.
6. DESIGN, MATERIALS, AND INSTALLATION SHALL CONFORM TO THE APPLICABLE CODES AS SHOWN, THE LOCAL FIRE DEPARTMENT (AHJ), STRUCTURAL ENGINEER, AND THE OWNER'S REVIEWING CONSULTANT.
7. ALL MATERIALS USED SHALL BE UL LISTED AND FM APPROVED.
8. SPRINKLER PIPE SHALL BE PER NFPA STANDARDS, ACCORDING TO THEIR LISTINGS. ALL PIPING SHALL HAVE A CORROSION RESISTANT RATIO OF 1.0 OR GREATER. RIMP TUBE INSTALLATIONS ARE NOT ACCEPTABLE.
9. PROVIDE ALL "MATERIAL AND TEST CERTIFICATES" PER NFPA 13 TO THE OWNER'S FIRE PROTECTION CONSULTANT UPON COMPLETION OF EXISTING AND PRIOR TO FINAL ACCEPTANCE BY THE OWNER. THE FOLLOWING CERTIFICATES WILL BE REQUIRED AS A MINIMUM WHERE APPLICABLE.
 1. OVERHEAD HYDROTEST
 2. OVERHEAD FINAL
10. PERFORM ALL FIRE PROTECTION AND RELATED SYSTEMS ACCEPTANCE TESTING TO BE WITNESSED BY OWNER'S CONSULTANT. TESTING WILL OCCUR AFTER INSTALLATION OF ALL SYSTEMS HAVE BEEN COMPLETED. PROVIDE A LIFT, AIR AND WATER PUMPS FOR SYSTEM PRESSURIZATION AND ANY NECESSARY HAND TOOLS AND APPARATUS FOR COMPLETE TESTING AND DEMONSTRATION OF THE SYSTEMS. ONE TEST OF ALL SYSTEMS SHOULD BE COMPLETED WITHIN (1) DAY. IF ALL OR ANY SYSTEM SHOULD FAIL, PRESENT AND FURNISH ALL ITEMS LISTED ABOVE UNTIL SUCH TIME THAT THE SYSTEMS ARE FOUND ACCEPTABLE AND IN ACCORDANCE WITH NFPA 13, 25, BUILDING AND FIRE CODES (INCLUDING LOCAL ORDINANCES) AND THE BID DOCUMENTS. NOTIFY OWNER'S CONSULTANT WHEN INSTALLATIONS IS COMPLETE AND TESTING MAY BEGIN. PLEASE ALLOW 5-10 WORKING DAYS FOR SCHEDULING.
11. PROVIDE SPRINKLER COVERAGE UNDER FIXED OBSTRUCTIONS GREATER THAN 4'-0" IN WIDTH, AS PRESCRIBED BY NFPA 13, 8.5.5.3.
12. COORDINATE FIRE ALARM SHUT-DOWN AND IMPAIRMENT WITH GSU FIRE SAFETY OFFICER.
13. THE CONTRACTOR SHALL PROVIDE SERVICES FOR WHILE THE SYSTEM IS OUT OF SERVICE, INCLUDING A FIRE WATCH, PREPLANNED IMPAIRMENT PLANS, AND TAGGING AS PRESCRIBED BY THE 2012 IFC, CHAPTER 9.

FIRE PROTECTION LEGEND

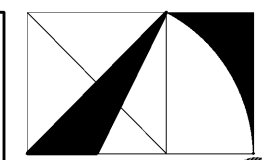
SYMBOL	DESCRIPTION
-----	AREA OF WORK



2 SPRINKLER HEAD DETAIL
SCALE: NO SCALE



1 TYP SPRINKLER HEAD DETAIL
SCALE: NO SCALE

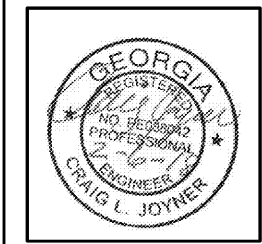


THE ARCHITECTURE GROUP, INC.

3075 Peachtree St. N.E.
Atlanta, GA 30305
Phone: (678) 222-0375
Fax: (678) 222-0384
tag@thearchitecturegroup.com

COPYRIGHT © 2018 BY THE ARCHITECTURE GROUP, INC. ALL RIGHTS RESERVED.

THIS DRAWING MAY NOT BE USED IN ANY MANNER NOR REPRODUCED IN ANY FORM WITHOUT PRIOR WRITTEN CONSENT FROM THE ARCHITECTURE GROUP, INC.



**2018 MRRF CAMPUS-WIDE
ADA IMPROVEMENTS**
 PROJECT No. IGSU-026-18
 TAG PROJECT No. 1706
 GEORGIA STATE UNIVERSITY
 ATLANTA, GEORGIA

100% CD	2/5/2017
REVISIONS	
DATE	2/5/2017
DRAWN BY	
CHECKED	
APPROVED	
SCALE	AS NOTED
PROJECT NUMBER	1706
DRAWING TITLE	

**FIRE PROTECTION
DESIGN CRITERIA - SC
BLDG DECATUR
CAMPUS**

DRAWING NUMBER
SC FP0.1

**Spencer Bristol
ENGINEERING, Inc.**
 A Gray Company
3577 PARKWAY LANE, SUITE 250
PEACHTREE CORNERS, GEORGIA 30092
TEL. 770.414.1628 FAX 770.414.6024
SBE Project No. 1744

Order Plans

WWW.LDIDLINE@