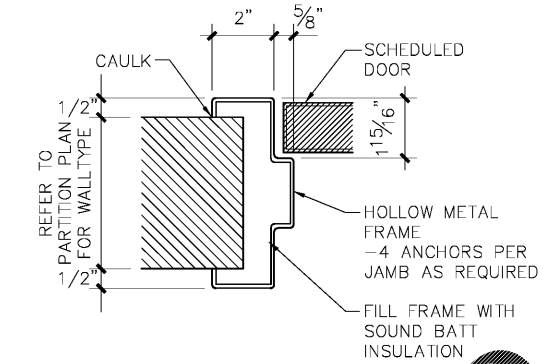
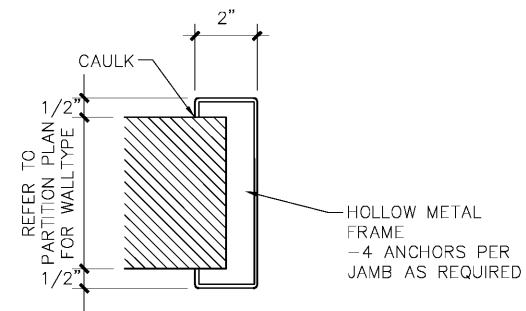


DOOR SCHEDULE										
DOOR				FRAME				REMARKS		
DOOR NO	DOOR TYPE	DOOR SIZE	THICK	DOOR MAT'L	MATL	HEAD	JAMB	DOOR LABEL	GLASS	
LIBRARY NORTH										
10	A	3'-0" X 7'-0"	1 3/4"	WD	HM	8/LN A4.1	8/LN A4.1	20 MIN		ELECTRIC DOOR ACTUATOR
13	A	3'-0" X 7'-0"	1 3/4"	WD	HM	8/LN A4.1	8/LN A4.1	20 MIN		ELECTRIC DOOR ACTUATOR
15	A	3'-0" X 7'-0"	1 3/4"	WD	HM	8/LN A4.1	8/LN A4.1	20 MIN		ELECTRIC DOOR ACTUATOR

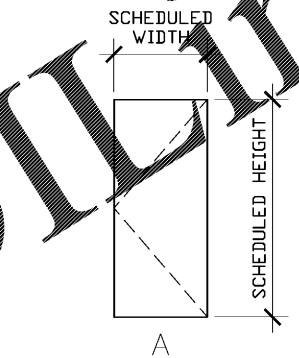


7 HEAD / JAMB
N A4 SCALE: 3" = 1'-0"

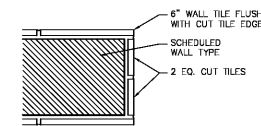
8 HEAD / JAMB
N A4 SCALE: 3" = 1'-0"

FINISH SCHEDULE										
SEE DIVISION 9 SPECIFICATION SECTIONS FOR MORE INFORMATION										
ROOM NO.	ROOM NAME	FLOOR	BASE	WALLS				CEILING MATERIAL	REMARKS	
				NORTH	EAST	SOUTH	WEST			
LIBRARY NORTH										
10	RESTROOM	CT-2	CT-1	CT-1	CT-1	CT-1	CT-1	ACT-1		
12	STORAGE	CPT-1	RB-1	P-1	P-1	P-1	P-1	ACT-1		
13	RESTROOM	CT-2	CT-1	CT-1	CT-1	CT-1	CT-1	ACT-1		
14	STORAGE	CPT-1	RB-1	P-1	P-1	P-1	P-1	ACT-1		

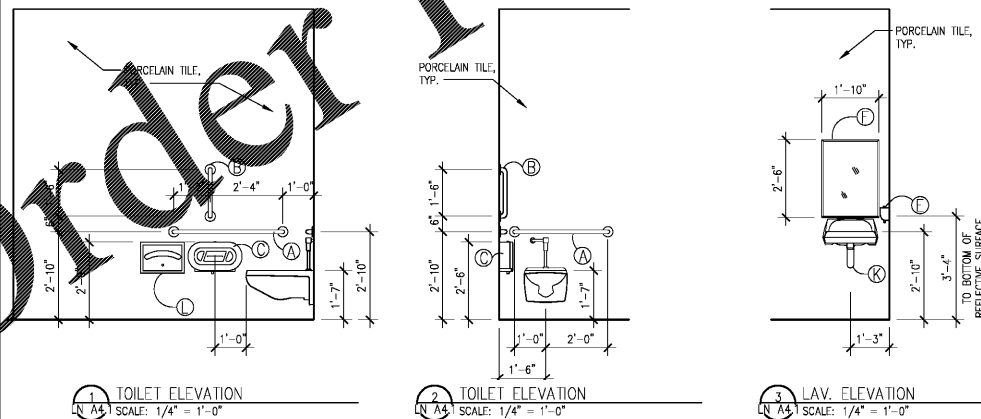
NOTE: There will be multiple paint colors TBD



9 DOOR TYPES
N A4 SCALE: NIS



6 TILE CORNER
N A4 SCALE: 1 1/2" = 1'-0"



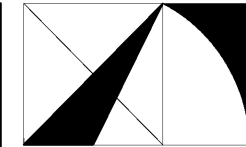
1 TOILET ELEVATION
N A4 SCALE: 1/4" = 1'-0"

2 TOILET ELEVATION
N A4 SCALE: 1/4" = 1'-0"

3 LAV. ELEVATION
N A4 SCALE: 1/4" = 1'-0"

KEY	ITEM	BASIS OF DESIGN
A	36" & 42" GRAB BAR (1.5 dia) WITH CONCEALED MOUNTING	BOBRICK # B-6806 SATIN
B	18" GRAB BAR (1.5 dia) WITH CONCEALED MOUNTING	BOBRICK # B-6806 SATIN
C	SURFACE MOUNTED MULTI-ROLL TOILET TISSUE DISPENSER	BOBRICK # B-2892
E	SURFACE MOUNTED SOAP DISPENSER	BY OWNER - N.I.C.
F	STAINLESS STEEL CHANNEL FRAME MIRROR SATIN	BY OWNER - N.I.C.
G	PARTITION MOUNTED FEMININE NAPKIN / TAMPON DISPENSER	BY CONTRACTOR
H	MOTION SENSOR, SURFACE MOUNTED PAPER TOWEL DISPENSER	BY OWNER - N.I.C.
K	LAVATORY PIPE INSULATION	BROCAR, TRAP WRAP
L	TOILET SEAT COVER DISPENSER	BY CONTRACTOR
M	TOILET PARTITIONS FLOOR ANCHORED, OVERHEAD BRACED STAINLESS STEEL CONTINUOUS HINGES, SATIN FINISH - SEE NOTE BELOW	ACCURATE PARTITIONS CORP
N	URINAL SCREEN - STAINLESS STEEL SATIN FINISH - SEE NOTE BELOW	ACCURATE PARTITIONS CORP
P	BABY CHANGING STATION	KOALA KARE KB200
Q	STAINLESS STEEL SHELF	BOBRICK B-295x18

NOTES: 1. ACCEPTABLE MANUFACTURERS: AJ WASHROOM, AMERICAN SPECIALTIES, BRADLEY
2. INSTALL ALL ACCESSORIES PER ADA STANDARDS

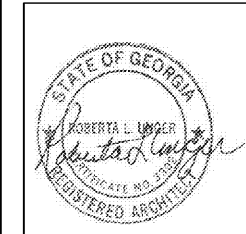


THE ARCHITECTURE GROUP, INC.

381 Virginia St.
Atlanta, GA 30313
Phone: (678) 222-0375
Fax: (678) 222-0384
tag@thearchitecturegroup.com

COPYRIGHT © 2018 BY THE ARCHITECTURE GROUP, INC. ALL RIGHTS RESERVED.

THIS DRAWING MAY NOT BE USED IN ANY MANNER NOR REPRODUCED IN ANY FORM WITHOUT PRIOR WRITTEN CONSENT FROM THE ARCHITECTURE GROUP, INC.



2018 MRRF CAMPUS-WIDE ADA IMPROVEMENTS

PROJECT No. 1GSU-026-18
TAG PROJECT No. 1706

GEORGIA STATE UNIVERSITY
ATLANTA, GEORGIA

REVISIONS	DATE	BY

DATE: 2/5/2017

DRAWN BY: MW

CHECKED: MC

APPROVED: BU

SCALE: AS NOTED

PROJECT NUMBER: 1706

DRAWING TITLE

ELEVATIONS, DETAILS, & SCHEDULES

DRAWING NUMBER

LN A4.1