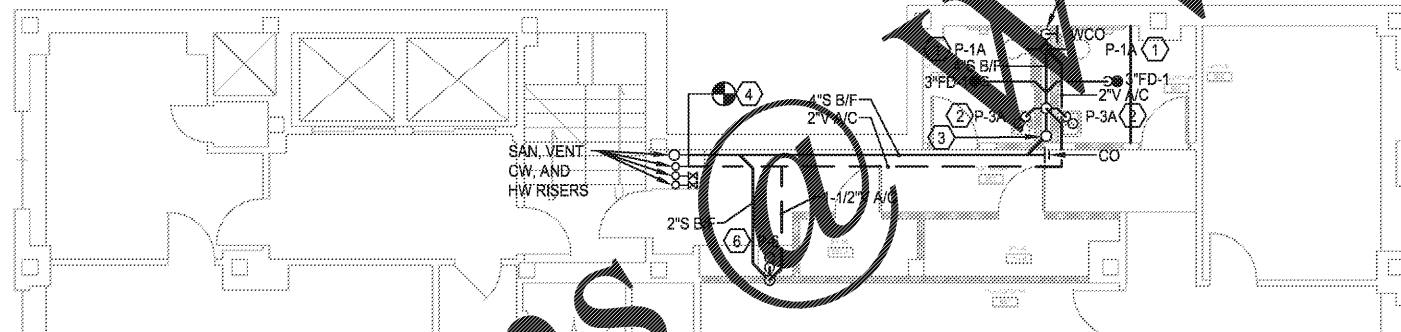
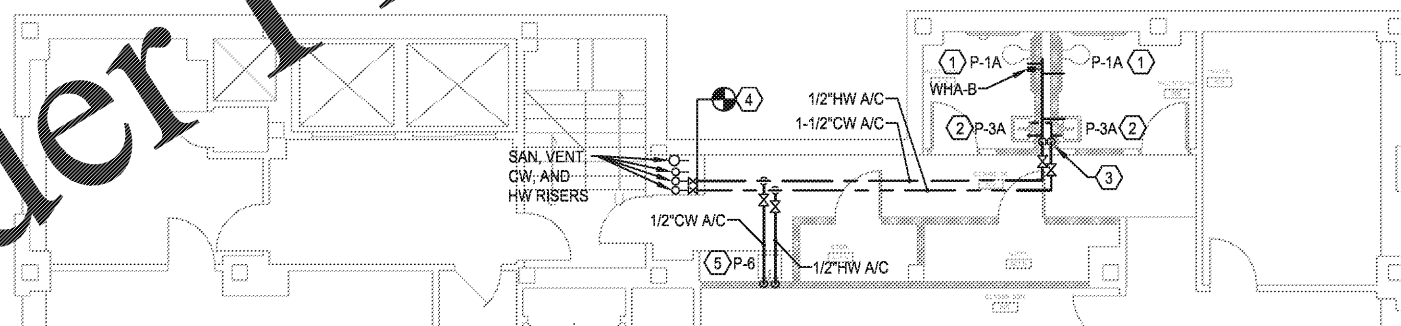


1 PLUMBING DEMO PLAN - 6TH FL
SCALE: 1/8"=1'-0"



2 PLUMBING NEW SANITARY PLAN - 6TH FL
SCALE: 1/8"=1'-0"



3 PLUMBING NEW DOMESTIC WATER PLAN - 6TH FL
SCALE: 1/8"=1'-0"

KEY NOTES (FOR 1/HH P1.1 ONLY):

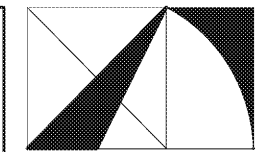
- ① FLOOR MOUNTED WATER CLOSET, FLUSH VALVE, CW SUPPLY, AND ACCESSORIES SHALL BE DEMOLISHED. FLOOR PENETRATIONS SHALL BE CLEANED AND IN-FILLED WITH CONCRETE TO MATCH EXISTING FLOOR.
- ② COUNTER MOUNTED LAVATORY, WATER SUPPLIES, P-TRAP, AND ALL ACCESSORIES SHALL BE DEMOLISHED. FLOOR PENETRATIONS SHALL BE CLEANED AND IN-FILLED WITH CONCRETE TO MATCH EXISTING FLOOR.
- ③ KITCHENETTE SINK, WATER SUPPLIES, P-TRAP, AND ALL ACCESSORIES SHALL BE DEMOLISHED. FLOOR PENETRATIONS SHALL BE CLEANED AND IN-FILLED WITH CONCRETE TO MATCH EXISTING FLOOR.
- ④ DEMOLISH ALL CW, HW, SAN, AND VENT PIPING, SERVING THE DEMOLISHED FIXTURES, BACK TO THE RISER LOCATIONS AS SHOWN. DEMOLISH SAN AND VENT PIPING BACK TO ACTIVE MAINS.

KEY NOTES (FOR 2/HH P1.1 ONLY):

- ① 4" SAN, DN TO BELOW FLOOR, 2" VENT FOR TWO (2) WATER CLOSETS.
- ② 2" SAN DN TO BELOW FLOOR, 1-1/2" VENT FOR TWO (2) LAVATORIES.
- ③ 4" SANITARY STACK FROM ABOVE TO BELOW FLOOR. ROUTE AS SHOWN ABOVE 5TH FLOOR CEILING.
- ④ CONNECT NEW SANITARY BELOW FLOOR AND VENT PIPING ABOVE CEILING.

KEY NOTES (FOR 3/HH P1.1 ONLY):

- ① 1" CW TO WATER CLOSET.
- ② 1/2" CW, 1/2" HW TO LAVATORY.
- ③ 1-1/2" CW DN, 1/2" HW DN IN PLUMBING CHASE. PROVIDE ISOLATION VALVES ABOVE THE CEILING AS SHOWN.
- ④ CONNECT NEW 1-1/2" CW AND 3/4" HW TO EXISTING CW AND HW RISERS AS SHOWN.
- ⑤ 1-1/2" CW DN, 1/2" HW DN TO SINK.

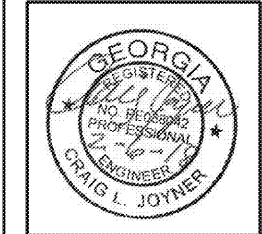


THE ARCHITECTURE GROUP, INC.

375 Peachtree St. N.E.
Atlanta, GA 30308
Phone: (678) 222-0375
Fax: (678) 222-0384
http://www.architecturegroup.com

© COPYRIGHT 2018 BY THE ARCHITECTURE GROUP, INC. ALL RIGHTS RESERVED.

THIS DRAWING MAY NOT BE USED IN ANY MANNER NOR REPRODUCED IN ANY FORM WITHOUT PRIOR WRITTEN CONSENT FROM THE ARCHITECTURE GROUP, INC.



2018 MRRF CAMPUS-WIDE ADA IMPROVEMENTS
PROJECT No. IGSU-026-18
TAG PROJECT No. 1706
GEORGIA STATE UNIVERSITY
ATLANTA, GEORGIA

100% CDs	2/5/2017
REVISIONS	
DATE	2/5/2017
DRAWN BY	
CHECKED	
APPROVED	
SCALE	AS NOTED
PROJECT NUMBER	1706
DRAWING TITLE	

PLUMBING PLAN - HAAS HOWELL BLDG - 6TH FLOOR

DRAWING NUMBER

HH P1.1

SPENCER BRISTOL ENGINEERING, INC.
A Gray Company
3577 Parkway Lane, Suite 250
Peachtree Corners, Georgia 30092
Tel. 770.414.1628 Fax 770.414.6024
SBE Project No. 1744

Order Plans

WWW.LDILine.com