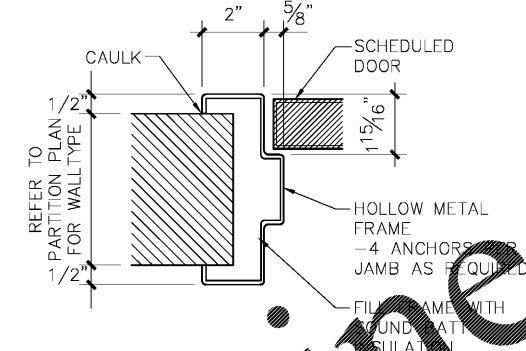
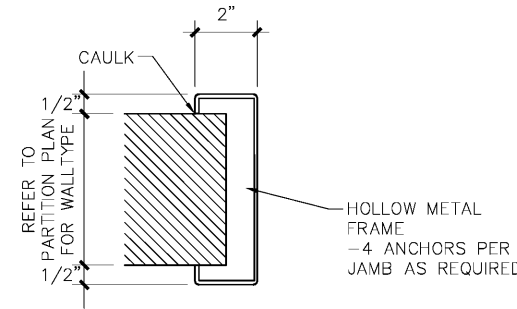
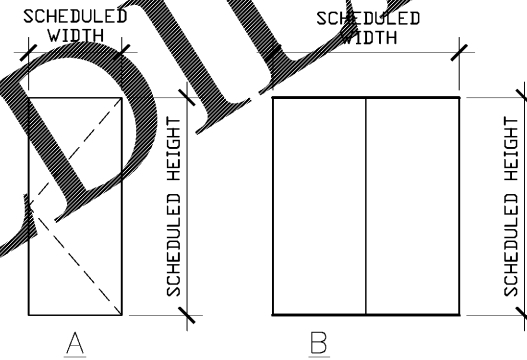


DOOR SCHEDULE										
DOOR				FRAME				REMARKS		
DOOR NO.	DOOR TYPE	DOOR SIZE	THICK	DOOR MATL.	MATL.	HEAD	JAMB	DOOR LABEL	GLASS	
HAAS - HOWELL										
601A	B	6'-0" X 7'-0"	1 3/4"	WD	HM	8/HH A4.1	8/HH A4.1	20 MIN		DOUBLE DOOR
601B	B	6'-0" X 7'-0"	1 3/4"	WD	HM	8/HH A4.1	8/HH A4.1	20 MIN		DOUBLE DOOR
603	A	3'-0" X 7'-0"	1 3/4"	WD	HM	8/HH A4.1	8/HH A4.1			
605	A	3'-0" X 7'-0"	1 3/4"	WD	HM	8/HH A4.1	8/HH A4.1			
701A	B	6'-0" X 7'-0"	1 3/4"	WD	HM	8/HH A4.1	8/HH A4.1	20 MIN		DOUBLE DOOR
701B	B	6'-0" X 7'-0"	1 3/4"	WD	HM	8/HH A4.1	8/HH A4.1	20 MIN		DOUBLE DOOR
703	A	3'-0" X 7'-0"	1 3/4"	WD	HM	8/HH A4.1	8/HH A4.1			
705	A	3'-0" X 7'-0"	1 3/4"	WD	HM	8/HH A4.1	8/HH A4.1			
801	B	3'-0" X 7'-0"	1 3/4"	WD	HM	8/HH A4.1	8/HH A4.1	20 MIN		DOUBLE DOOR
803A	A	6'-0" X 7'-0"	1 3/4"	WD	HM	8/HH A4.1	8/HH A4.1			
803B	A	3'-0" X 7'-0"	1 3/4"	WD	HM	8/HH A4.1	8/HH A4.1			
819B	B	6'-0" X 7'-0"	1 3/4"	WD	HM	8/HH A4.1	8/HH A4.1	20 MIN		DOUBLE DOOR



7 HEAD / JAMB
HH A4.1 SCALE: 3" = 1'-0"

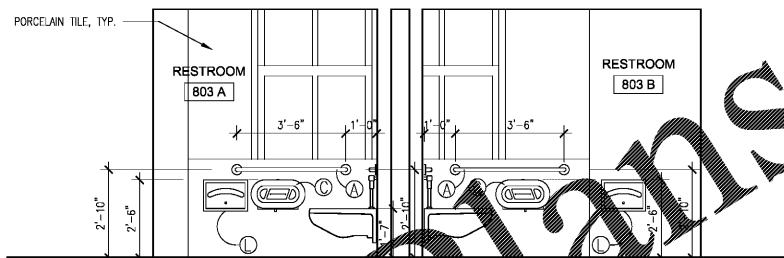
8 HEAD / JAMB
HH A4.1 SCALE: 3" = 1'-0"



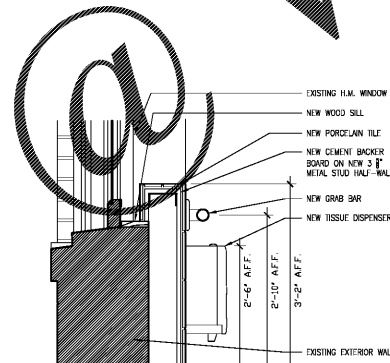
9 DOOR TYPES
HH A4.1 SCALE: NTS

FINISH SCHEDULE									
SEE DIVISION 9 SPECIFICATION SECTIONS FOR MORE INFORMATION									
ROOM NO.	ROOM NAME	FLOOR	BASE	WALLS				CEILING MATERIAL	REMARKS
				NORTH	EAST	SOUTH	WEST		
HAAS-HOWELL									
601A	STORAGE	VCT-1	RB-1	P-1	P-1	P-1	P-1	ACT-1	
601B	STORAGE	VCT-1	RB-1	P-1	P-1	P-1	P-1	ACT-1	
602	CORRIDOR	VCT-1	RB-1	P-1	P-1	P-1	P-1	ACT-1	
603	RESTROOM	CT-2	CT-1	CT-1	CT-1	CT-1	CT-1	ACT-1	
605	RESTROOM	CT-2	CT-1	CT-1	CT-1	CT-1	CT-1	ACT-1	
701A	STORAGE	VCT-1	RB-1	P-1	P-1	P-1	P-1	ACT-1	
701B	STORAGE	VCT-1	RB-1	P-1	P-1	P-1	P-1	ACT-1	
702	CORRIDOR	VCT-1	RB-1	P-1	P-1	P-1	P-1	ACT-1	
703	RESTROOM	CT-2	CT-1	CT-1	CT-1	CT-1	CT-1	ACT-1	
705	RESTROOM	CT-2	CT-1	CT-1	CT-1	CT-1	CT-1	ACT-1	
801	STORAGE	VCT-1	RB-1	P-1	P-1	P-1	P-1	ACT-1	
803A	RESTROOM	CT-2	CT-1	CT-1	CT-1	CT-1	CT-1	ACT-1	
803B	RESTROOM	CT-2	CT-1	CT-1	CT-1	CT-1	CT-1	ACT-1	
819B	STORAGE	VCT-1	RB-1	P-1	P-1	P-1	P-1	ACT-1	
821	CORRIDOR	VCT-1	RB-1	P-1	P-1	P-1	P-1	ACT-1	

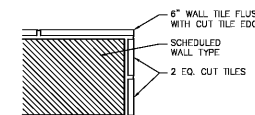
NOTE: There will be multiple paint colors TBD



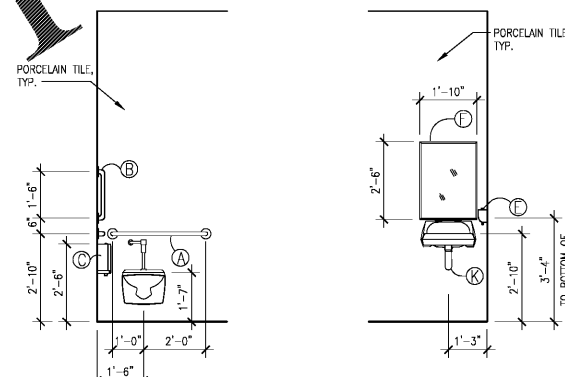
4 HAAS-HOWELL RESTROOM FIXTURES - 7th & 8th FLOORS
HH A4.1 SCALE: 1/4" = 1'-0"



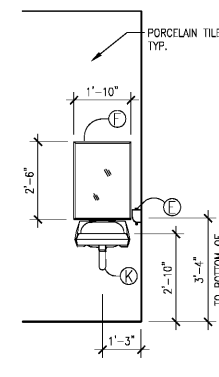
5 SILL DETAIL - HAAS-HOWELL RESTROOMS
HH A4.1 SCALE: 3/4" = 1'-0"



6 TILE CORNER
HH A4.1 SCALE: 1 1/2" = 1'-0"



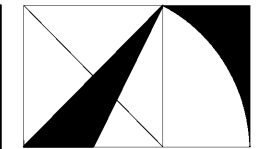
2 TOILET ELEVATION
HH A4.1 SCALE: 1/4" = 1'-0"



3 LAV. ELEVATION
HH A4.1 SCALE: 1/4" = 1'-0"

TOILET ACCESSORY SCHEDULE		
KEY	ITEM	BASIS OF DESIGN
A	36" & 42" GRAB BAR (1.5 dia) WITH CONCEALED MOUNTING	BOBRICK # B-6806 SATIN
B	18" GRAB BAR (1.5 dia) WITH CONCEALED MOUNTING	BOBRICK # B-6806 SATIN
C	SURFACE MOUNTED MULTI-ROLL TOILET TISSUE DISPENSER	BOBRICK # B-2892
E	SURFACE MOUNTED SOAP DISPENSER	BY OWNER - N.I.C.
F	STAINLESS STEEL CHANNEL FRAME MIRROR SATIN	BY OWNER - N.I.C.
G	PARTITION MOUNTED FEMINE NAPKIN / TAMPON DISPENSER	BY CONTRACTOR
H	MOTION SENSOR, SURFACE MOUNTED PAPER TOWEL DISPENSER	BY OWNER - N.I.C.
K	LAVATORY PIPE INSULATION	BROCAR, TRAP WRAP
L	TOILET SEAT COVER DISPENSER	BY CONTRACTOR
M	TOILET PARTITIONS FLOOR ANCHORED, OVERHEAD BRACED	ACCURATE PARTITIONS CORP
N	STAINLESS STEEL CONTINUOUS HINGES, SATIN FINISH - SEE NOTE BELOW	ACCURATE PARTITIONS CORP
P	URINAL SCREEN - STAINLESS STEEL SATIN FINISH - SEE NOTE BELOW	ACCURATE PARTITIONS CORP
Q	STAINLESS STEEL SHELF	BOBRICK # B-295x18
R	BABY CHANGING STATION	KOALA KARE KB200
S	STAINLESS STEEL SHELF	BOBRICK # B-295x18

NOTES: 1. ACCEPTABLE MANUFACTURERS: AJ WASHROOM, AMERICAN SPECIALTIES, BRADLEY
2. INSTALL ALL ACCESSORIES PER ADA STANDARDS

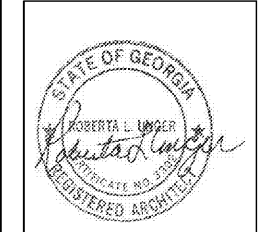


THE ARCHITECTURE GROUP, INC.

381 Virginia St.
Atlanta, GA 30313
Phone: (678) 222-0375
Fax: (678) 222-0384
tag@thearchitecturegroup.com

COPYRIGHT © 2018 BY THE ARCHITECTURE GROUP, INC. ALL RIGHTS RESERVED.

THIS DRAWING MAY NOT BE USED IN ANY MANNER NOR REPRODUCED IN ANY FORM WITHOUT PRIOR WRITTEN CONSENT FROM THE ARCHITECTURE GROUP, INC.



2018 MRRF CAMPUS-WIDE ADA IMPROVEMENTS
PROJECT No. 1GSU-026-18
TAG PROJECT No. 1706
GEORGIA STATE UNIVERSITY
ATLANTA, GEORGIA

REVISIONS	DATE	BY

DATE: 2/5/2017
DRAWN BY: MW
CHECKED: MC
APPROVED: BU
SCALE: AS NOTED
PROJECT NUMBER: 1706
DRAWING TITLE:

ELEVATIONS, DETAILS, & SCHEDULES

DRAWING NUMBER

HH A4.1

Order Plans