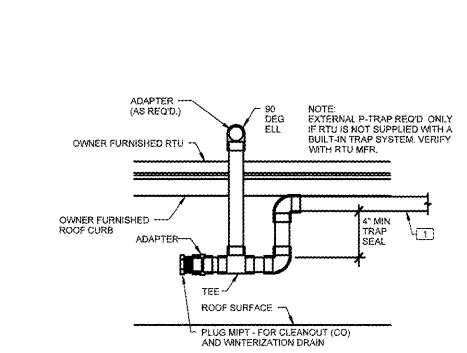
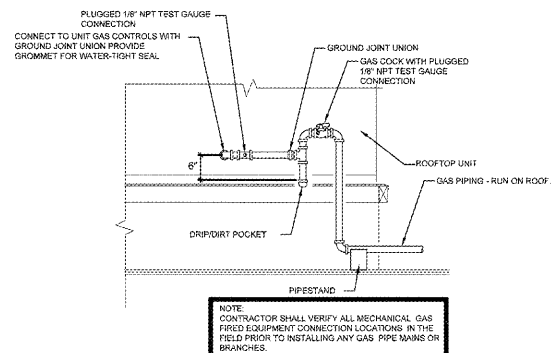


REVISIONS

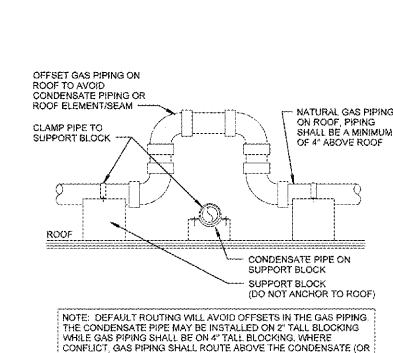
No.	Date	Description
01/22/18		50% OWNER REVIEW
01/29/18		ISSUED FOR PERMIT/BID



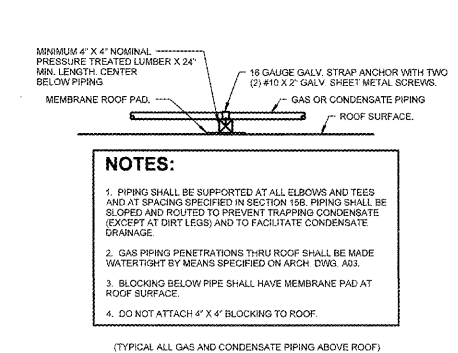
1 RTU CONDENSATE DRAIN DETAIL
M201 SCALE = NTS



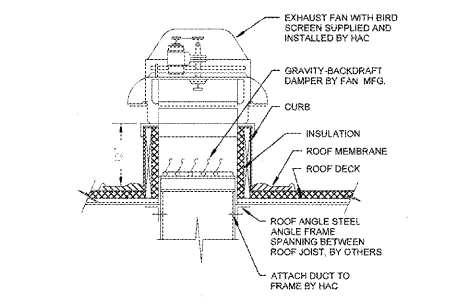
2 RTU GAS CONNECTION DETAIL
M201 SCALE = NTS



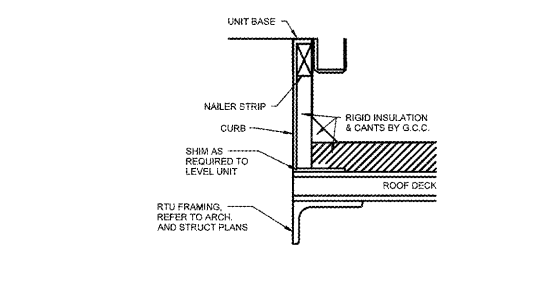
3 GAS PIPE OFFSET DETAIL
M201 SCALE = NTS



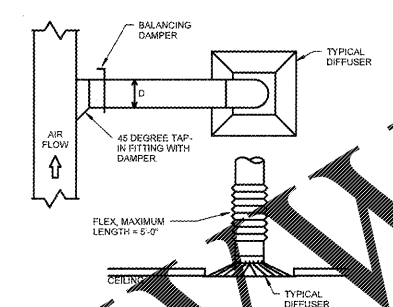
4 ROOF PIPING SUPPORT DETAIL
M201 SCALE = NTS



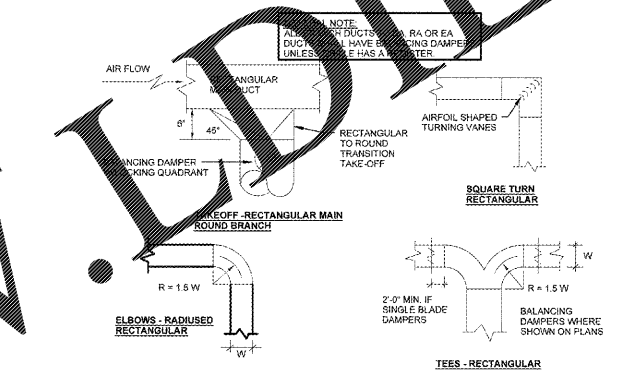
5 EXHAUST FAN DETAIL
M201 SCALE = NTS



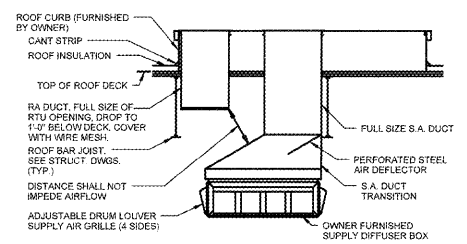
6 TYPICAL RTU CURB DETAIL
M201 SCALE = NTS



7 DIFFUSER CONNECTION DETAIL
M201 SCALE = NTS

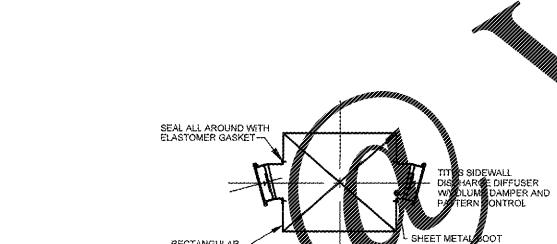


8 LOW PRESSURE DUCT FITTING
M201 SCALE = NTS



NOTES:
DIFFUSER, DIFFUSER BOX, GRILLE, DUCT SLEEVES AND TRANSITIONS SHALL BE FURNISHED BY OWNER THROUGH LEMNOX. INSTALLATION OF ALL ITEMS SHALL BE BY THE HAC.
INSTALLATION OF DUCTS, DIFFUSER BOX, & GRILLES IS TYPICAL FOR RTU-T3 AND T4. REFER TO SUPPLY & RETURN AIR DUCT & GRILLE SPECIFICATIONS ON SHEET M301 FOR FURTHER REQUIREMENTS AND CLARIFICATION.
DO NOT INSTALL FLEXIBLE DUCT CONNECTIONS FOR S.A. & R.A. DUCTS FOR RTU-T4.
HAC SHALL PROVIDE AUXILIARY STEEL CHANNELS, ANGLES, AND/OR UNI-STRUT AS REQUIRED TO SECURELY SUPPORT THE S.A. DUCT, DIFFUSER BOX, AND GRILLES FROM THE ROOF STRUCTURE PROVIDE VIBRATION ISOLATION FOR SUPPORT FRAMING.
THE TOP OF THE SUPPLY DIFFUSER BOX/GRILLES SHALL BE MOUNTED BELOW ADJUTANT STRUCTURE STEEL JOISTS, TO PROVIDE CLEAR AIR THROW.
THE PLENUM DIFFUSER SHALL BE LEFT FACTORY WHITE. THE TOP SURFACE SHALL BE FIELD PAINTED.

9 SA & RA PLENUM DIFFUSER DETAIL
M201 SCALE = NTS



NOTE:
BOTTOM OF DUCT SHALL BE MOUNTED 6 INCHES ABOVE BOTTOM CHORD OF JOISTS. CONTRACTOR SHALL FIELD VERIFY EXISTING CONDITIONS AND EXACT LOCATIONS OF STRUCTURE PRIOR TO BID, AND NOTIFY PROFESSIONAL OF RECORD OF ANY POTENTIAL CONFLICT WITH THE INDICATED DUCT HEIGHTS AND/OR LOCATIONS.

10 SALES FLOOR DIFFUSER MOUNTING
M201 SCALE = NTS

NO SUBSTITUTIONS SHALL BE ALLOWED UNLESS OTHERWISE NOTED (REFER TO SPECIFICATIONS)

DESIGNED FOR: FLORIDA BUILDING CODE, 6TH EDITION (2017).



Architecture & Engineering
10877 WATSON ROAD
SAINT LOUIS, MO 63127
TEL: (314) 821-1100

BID DATE: 01/29/18 PROJECT NO: 918219
DRAWN BY: SJB CHECKED BY: JCS
PROTOTYPE



GLOBAL RESOURCE CENTER
ONE GEOFFREY WAY
WAYNE, NJ 07470
(973) 617-3500

THIS DRAWING IS THE EXCLUSIVE PROPERTY OF TOYS 'R' US. THE INFORMATION SHOWN MAY NOT BE USED NOR THE DRAWINGS REPRODUCED WITHOUT PERMISSION OF TOYS 'R' US.

Location
LAKELAND, FLORIDA
3770 US HIGHWAY 96 NORTH 33809

Drawing Title
MECHANICAL
DETAILS & SECTIONS

Scale AS NOTED Date 1/29/18

Sheet No. M201

Order Plans

WWW.LDOnline.com