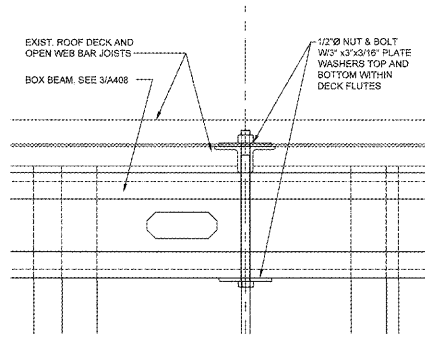
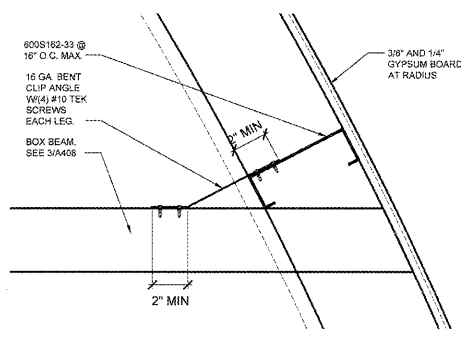


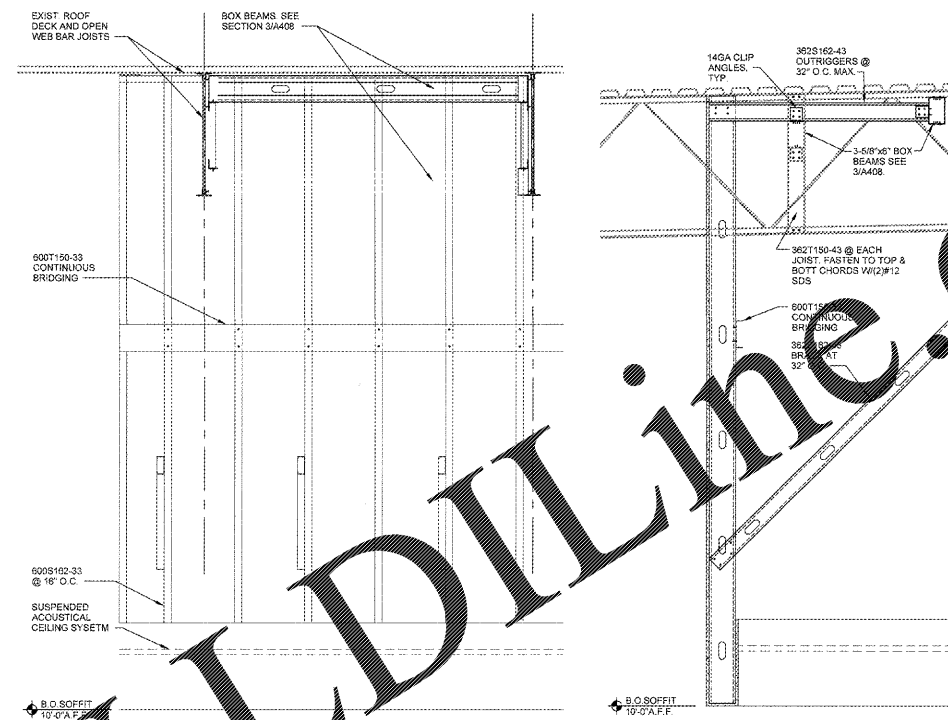
3 BOX BEAM DETAIL  
SCALE: 3" = 1'-0"



4 BOX BEAM TO JOIST CONNECTION DETAIL  
SCALE: 3" = 1'-0"

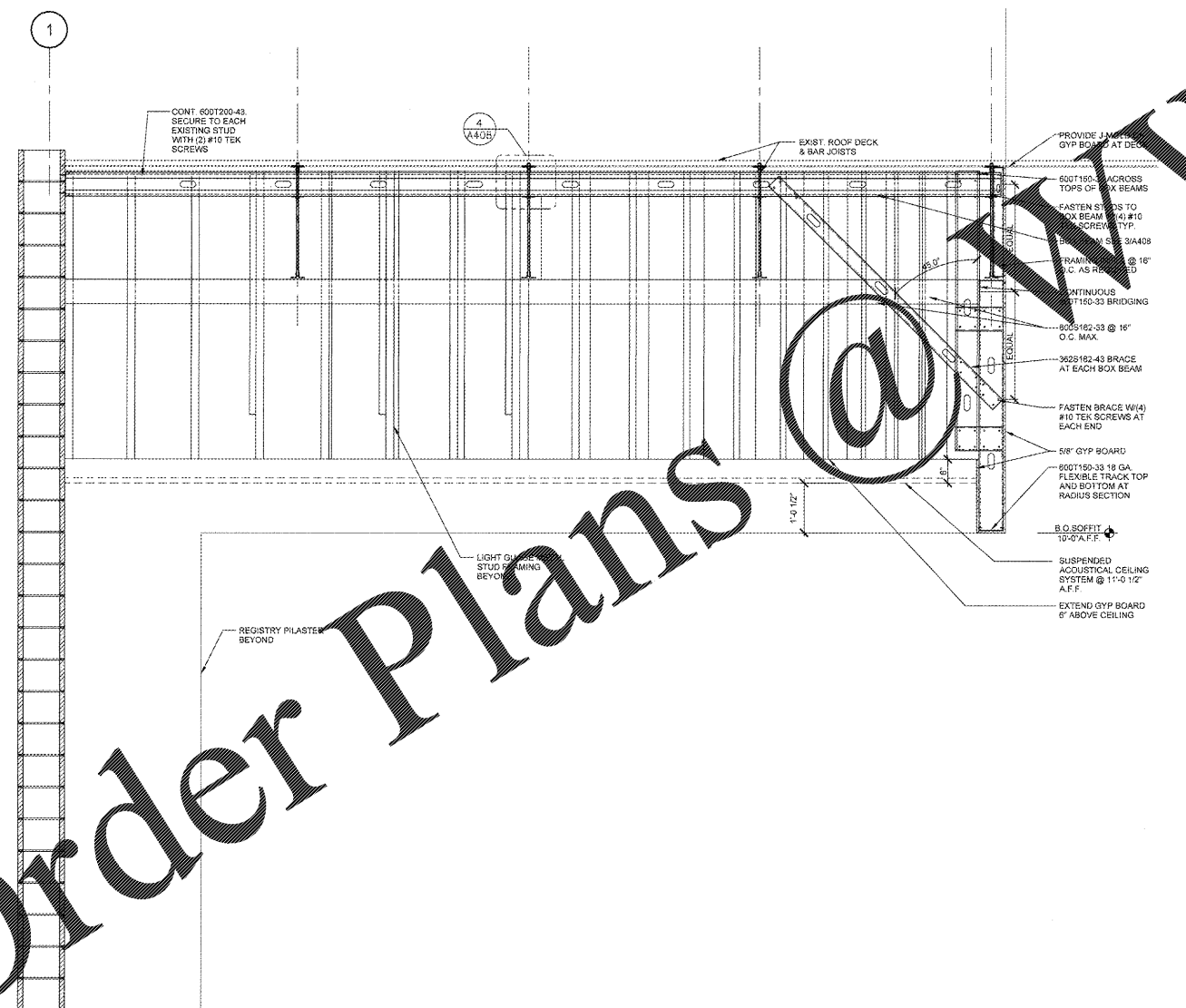


5 RADIAL STUD TO BOX BEAM DETAIL  
SCALE: 6" = 1'-0"

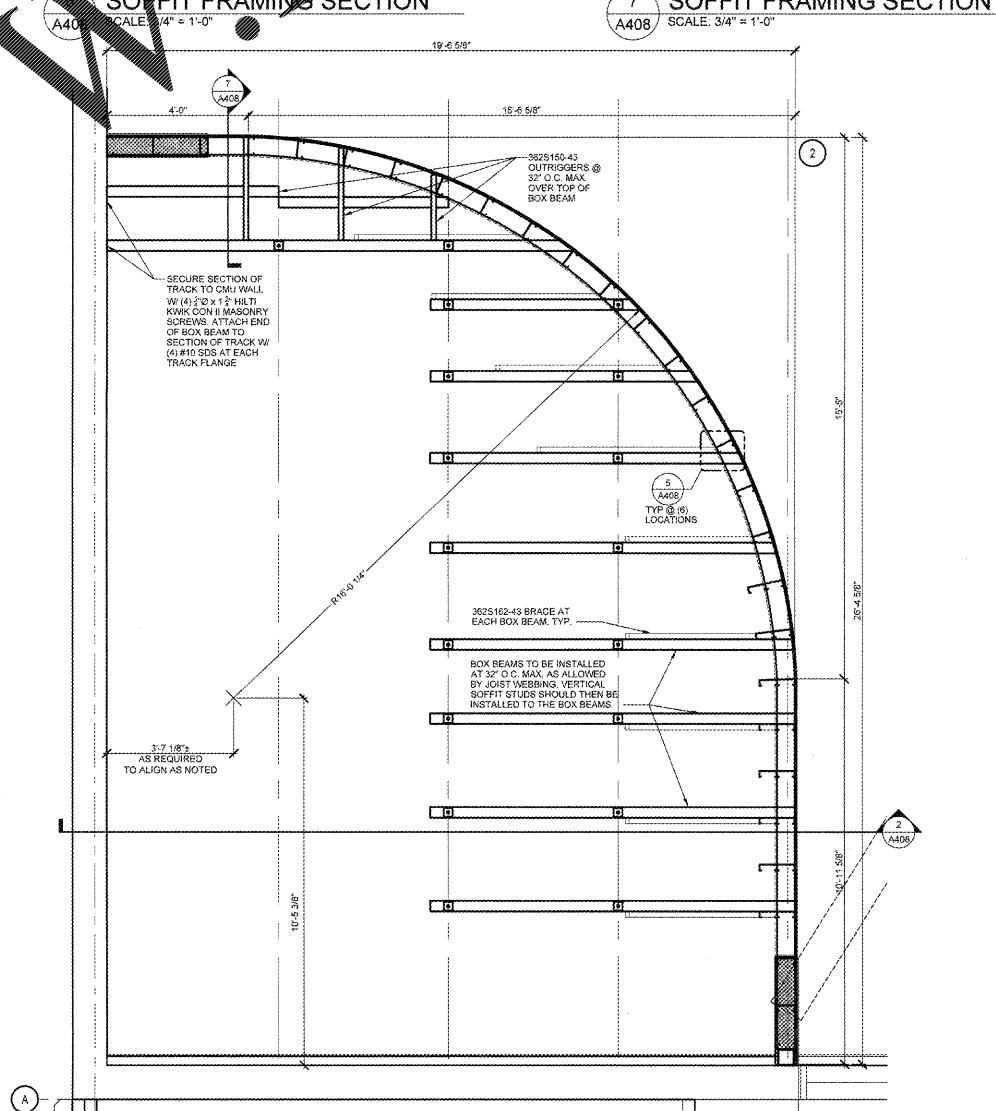


6 SOFFIT FRAMING SECTION  
SCALE: 3/4" = 1'-0"

7 SOFFIT FRAMING SECTION  
SCALE: 3/4" = 1'-0"



2 REGISTRY BULKHEAD SECTION  
SCALE: 3/4" = 1'-0"



1 REGISTRY BULKHEAD FRAMING PLAN  
SCALE: 1/2" = 1'-0"

REVISIONS		
No	Date	Description
1	11/22/18	90% OWNER REVIEW
2	11/29/18	ISSUED FOR PERMITTING

NO SUBSTITUTIONS SHALL BE ALLOWED UNLESS OTHERWISE NOTED (REFER TO SPECIFICATIONS)

DESIGNED FOR: FLORIDA BUILDING CODE, 6TH EDITION (2017).



Architecture + Engineering  
10877 WATSON ROAD  
SAINT LOUIS, MO 63127  
TEL: (314) 821-1100

BID DATE: 11/28/18 PROJECT NO.: 918219  
DRAWN BY: JSC CHECKED BY: JSC  
PROTOTYPE

CASCO PROFESSIONAL SERVICES LLC  
LIC # 20023242 EXPIRES: 02/28/19  
JAN 13 2018  
PROFESSIONAL OF RECORD  
JAMES A. SCHMITT  
LIC # 8895329 EXPIRES: 02/28/19



GLOBAL RESOURCE CENTER  
ONE GEOFFREY WAY  
WAYNE, NJ 07470  
(973) 617-3550

THIS DRAWING IS THE EXCLUSIVE PROPERTY OF TOYS 'R' US. THE INFORMATION SHOWN MAY NOT BE USED NOR THE DRAWINGS REPRODUCED WITHOUT PERMISSION OF TOYS 'R' US.

Location  
LAKELAND, FLORIDA  
3770 US HIGHWAY 98 NORTH 33809

Drawing Title  
SOFFIT FRAMING PLANS & DETAILS

Scale AS NOTED Date 1/29/18

Sheet No. A408

Order Plans @ [www.WLDLine.com](http://www.WLDLine.com)