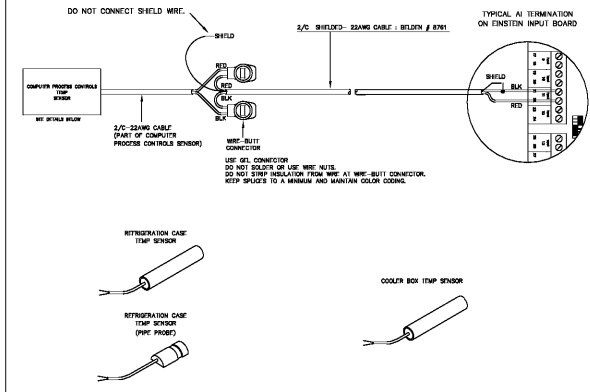


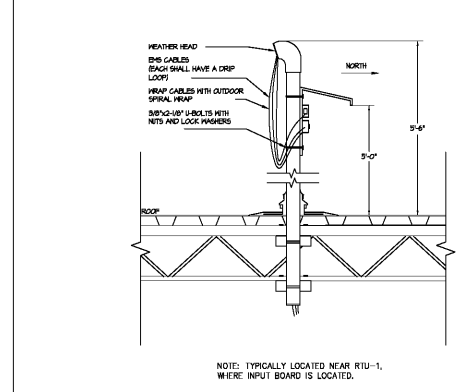
NOTES:

- DO NOT POWER ANY CONTROLLERS OR OTHER DEVICES WITH THE SAME TRANSFORMER THAT IS POWERING I/O CARDS.
- THE TRANSFORMER SHALL BE PROVIDED WITH AN ENCLOSURE OF NONCOMBUSTIBLE MATERIAL IN COMPLIANCE WITH THE REQUIREMENTS OF THE CLASS OF EQUIPMENT IN WHICH USED.
- A SPACING OF 1/4 INCH THROUGH AIR SHALL BE PROVIDED BETWEEN THE TRANSFORMER AND THE MOUNTING SURFACE OF THE TRANSFORMER SHALL BE MOUNTED ON A METAL OR NONCOMBUSTIBLE SURFACE.
- A MAXIMUM OF (2) I/O CARDS TO BE POWERED PER TRANSFORMER (COMPUTER PROCESS CONTROLS PART NUMBER 440-0086).
- A MAXIMUM OF (4) I/O CARDS TO BE POWERED PER TRANSFORMER (COMPUTER PROCESS CONTROLS PART NUMBER 440-0085).

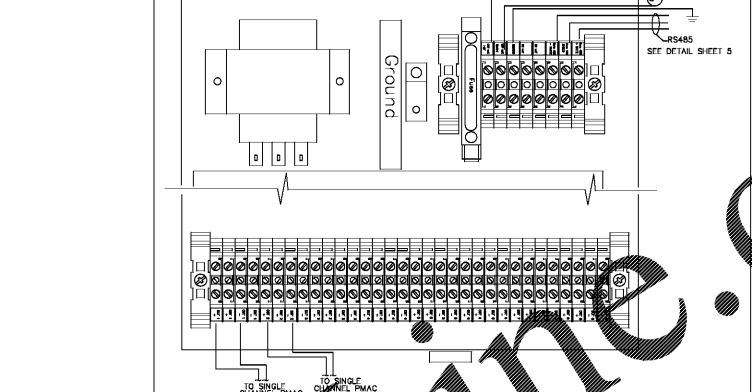
1 EINSTEIN CONTROL SYSTEM -- GENERIC I/O CARD POWER WIRING SCALE: NONE



2 EINSTEIN CONTROL SYSTEM -- WIRE SPlicing IN REFRIGERATED AREA SCALE: NONE



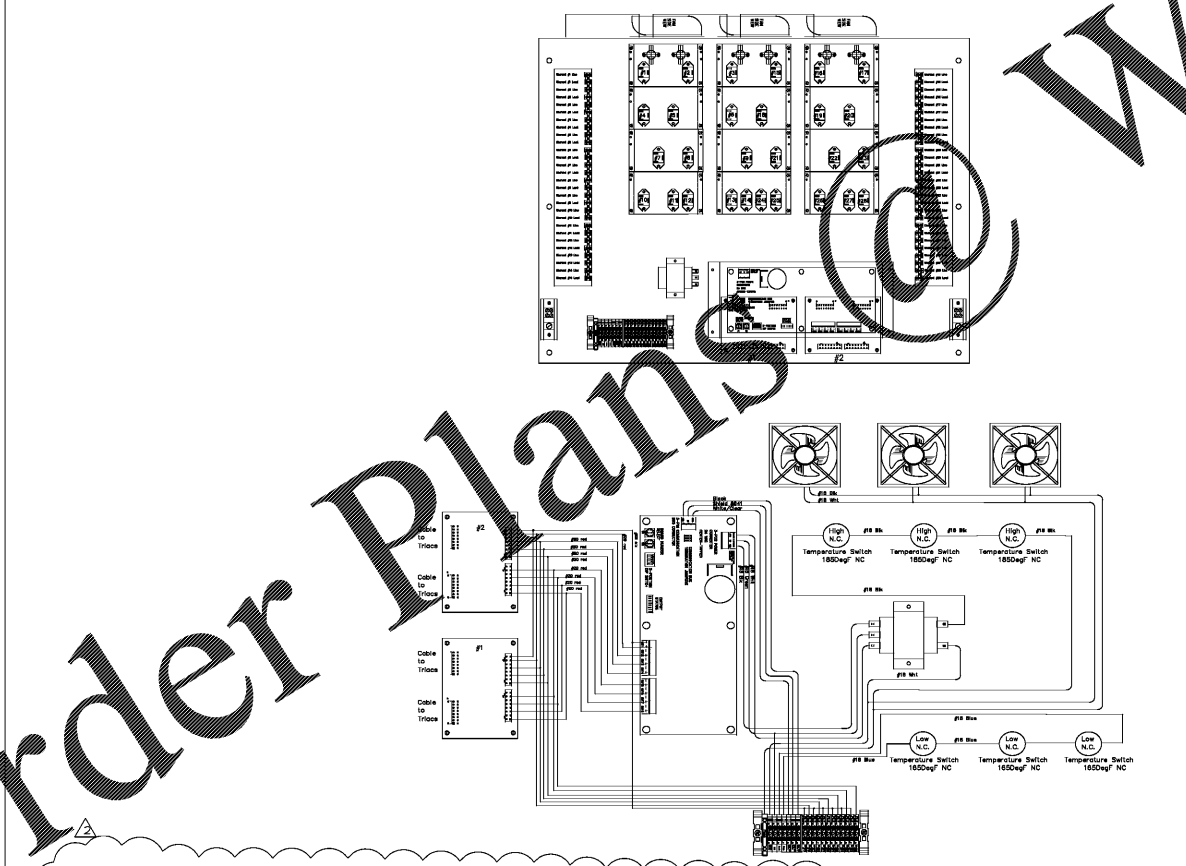
3 OUTDOOR WEATHER STATION -- FOR REFERENCE ONLY SCALE: NONE



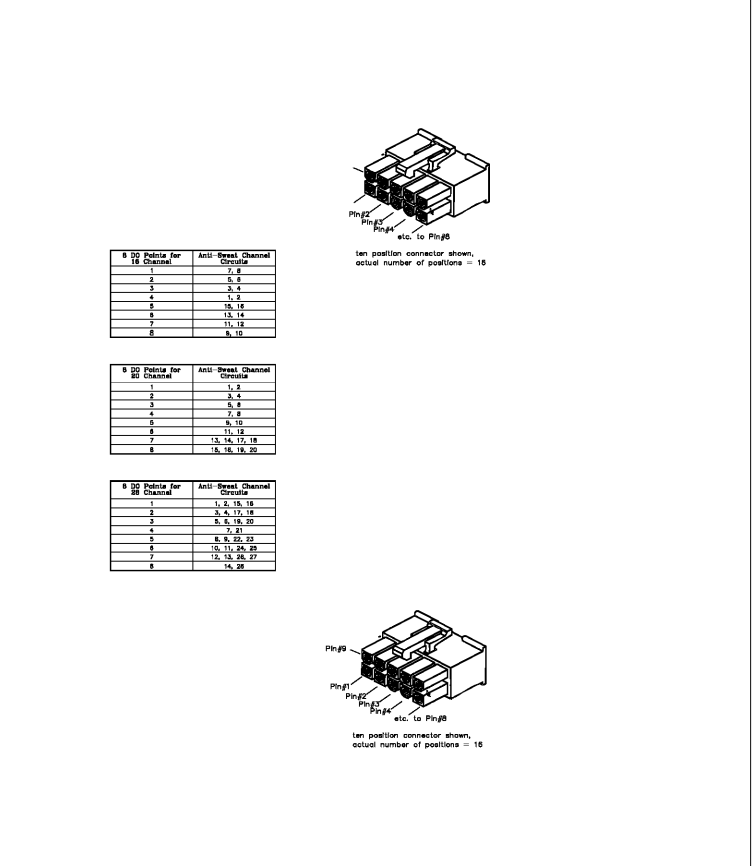
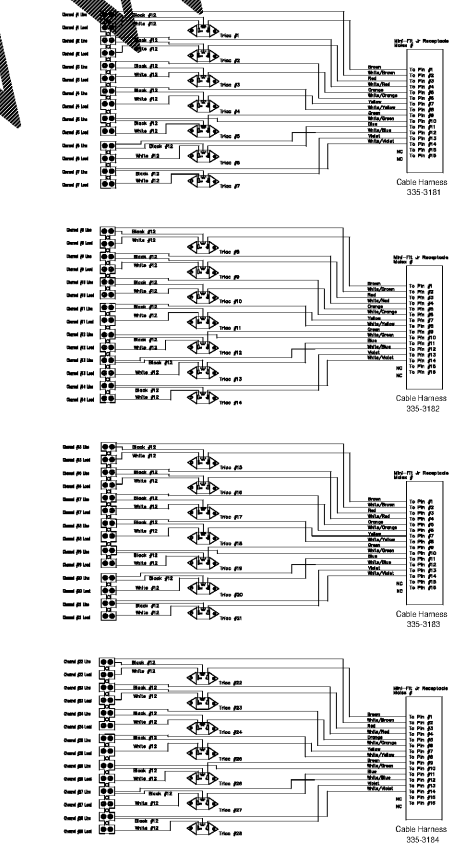
4 EINSTEIN CONTROL SYSTEM -- PMAC SINGLE CHANNEL CONTROL MODULE TERMINATION SCALE: NONE

SCALE: NONE

SCALE: NONE



7 EINSTEIN CONTROL SYSTEM -- PMAC II, 28 CHANNEL OEM/FACORY WIRING DIAGRAM (NO FIELD WIRING SHOWN) SCALE: NONE



SCALE: NONE



**NEW STORE
CONTROLS
INSTALLATION TEMPLATE**

CURRENT PLAN DATE: 5/1/2015

ORIGINAL PLAN DATE: 3/31/08

DESIGN	MAD	CHECKED
REVISION		
1	CIS	
2	CIS	
3	MAD	

REVIEWED PLOTTED BOUND

ENERGY MANAGEMENT
CPC DETAILS

EM-6

CON-INSTRMP-EM2WG

WWW.LDILINE.COM

Order Plans

ATTENTION DESIGN ENGINEERS:
THIS VENDOR SUPPLIED DRAWING IS PROVIDED FOR REFERENCE ONLY, AND MAY SHOW COMPONENTS THAT ARE NOT USED IN ALL STORES.