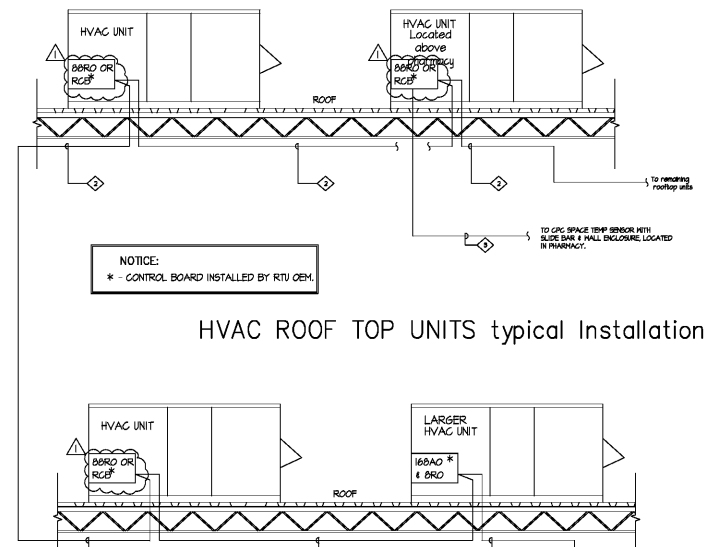
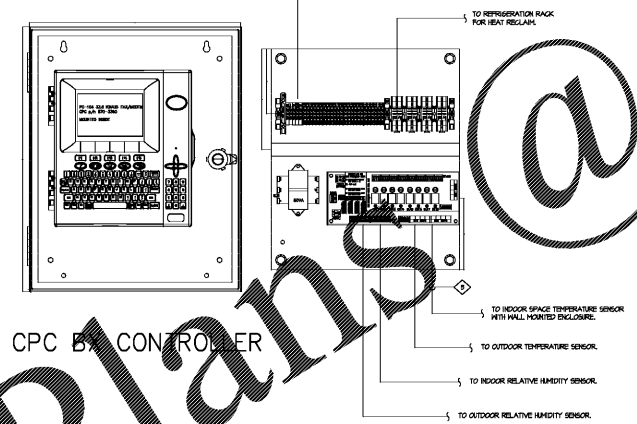


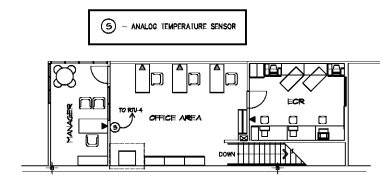
Order Plans @ WWW.Engine.com



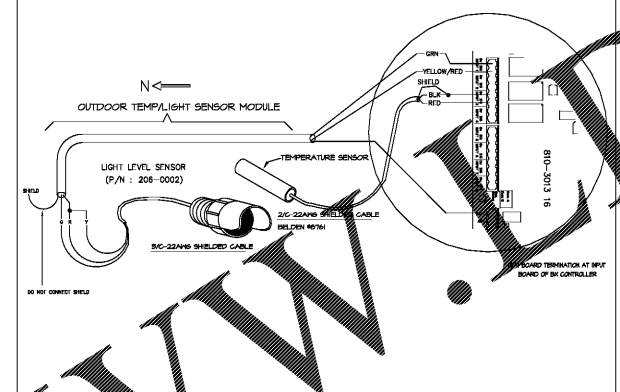
NOTICE:
SEE SHEET EM-1 FOR KEY NOTE
NOTE LEGEND: ◊ * DESCRIPTION



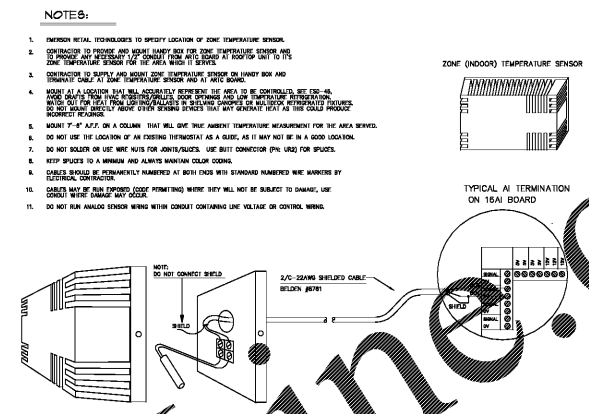
1 EINSTEIN CONTROL SYSTEM -- TYPICAL STORE RTU WIRING SCALE: NONE



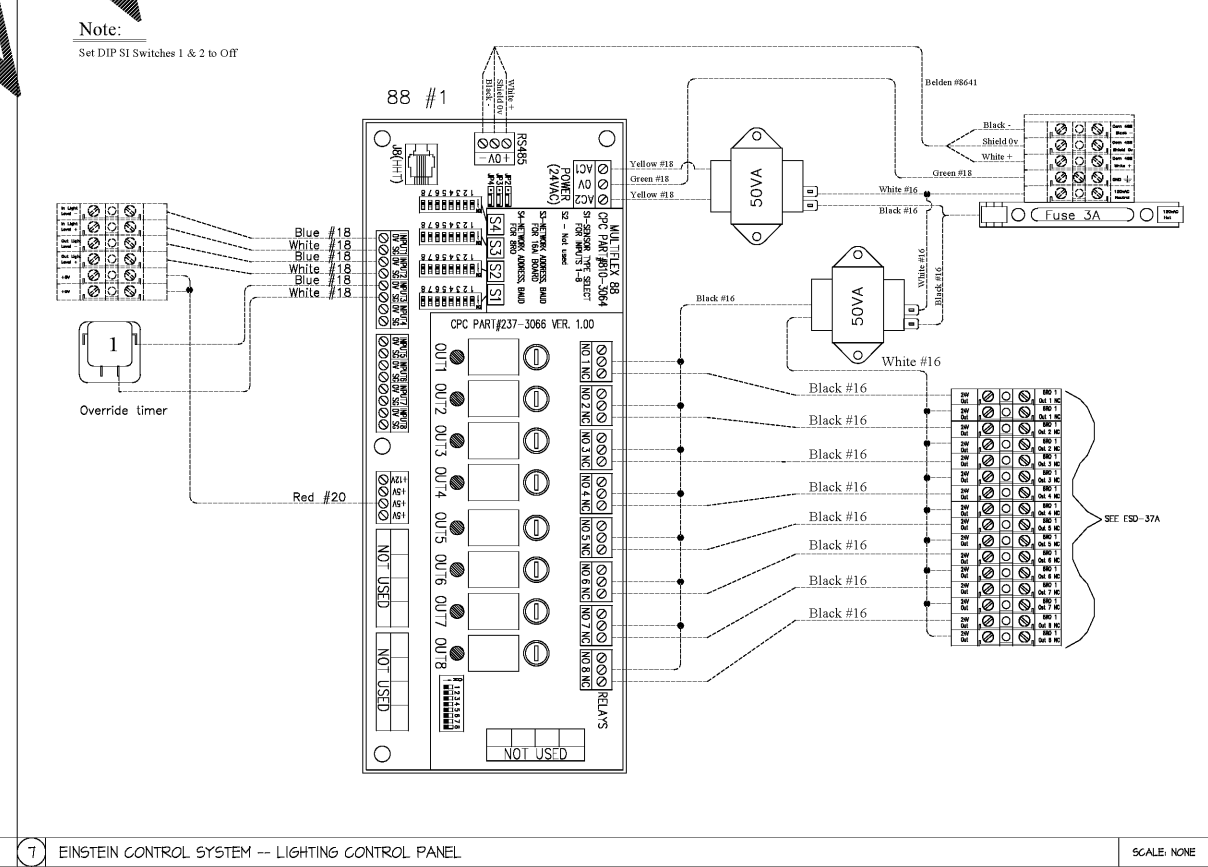
2 EINSTEIN CONTROL SYSTEM -- MEZZANINE (TYPICAL) SCALE: NONE



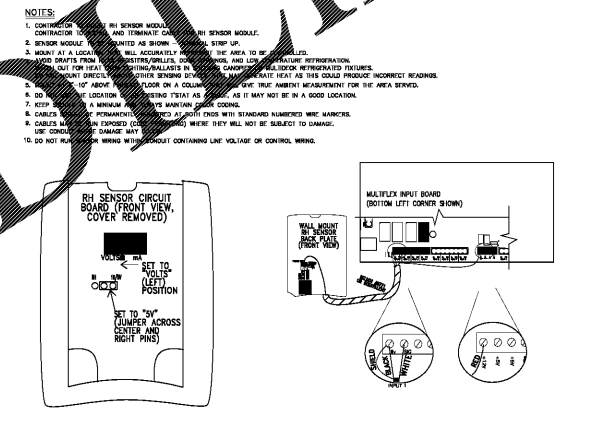
3 EINSTEIN CONTROL SYSTEM -- SPACE TEMPERATURE SENSOR TERMINATION SCALE: NONE



4 EINSTEIN CONTROL SYSTEM -- RH SENSOR TERMINATION SCALE: NONE



7 EINSTEIN CONTROL SYSTEM -- LIGHTING CONTROL PANEL SCALE: NONE



4 EINSTEIN CONTROL SYSTEM -- RH SENSOR TERMINATION SCALE: NONE



NEW STORE
CONTROLS
INSTALLATION TEMPLATE

CURRENT PLAN DATE	01/26/07
ORIGINAL PLAN DATE	3/31/06
DESIGNER	CH
CHECKED	
REVISION	
1	CIS
STANDARD PLOTTED BOARD	
ENERGY MANAGEMENT CPC DETAILS	

ATTENTION DESIGN ENGINEERS:
THIS VENDOR SUPPLIED DRAWING IS PROVIDED FOR REFERENCE ONLY,
AND MAY SHOW COMPONENTS THAT ARE NOT USED IN ALL STORES.

EM-4
C40 PLS COR-INSI-TEMP-EMALWG