

SYMBOL	DESCRIPTION
○	REFRIGERATION GREAT TERMINATOR
○	COOLING TERMINATOR REVERSAL
○	ANALOG REVERSAL EDGE
○	DOOR SWITCH
○	PHOTOCELL PHOTOEYE BOWNS
○	STREET JACK
○	SECTION STOP SOLENOID

1. WHEN CASES ARE FED FROM LOOP FEEDS, SECTION STOP SOLENOIDS SHALL BE ON REFRIGERATION GREATS ON SALES FLOOR.
2. REFER TO FLOOR DRAWINGS OR SEE FOR EXACT LOCATIONS.

### ANALOG TEMPERATURE SENSOR GUIDELINES

#### APPLICATION:

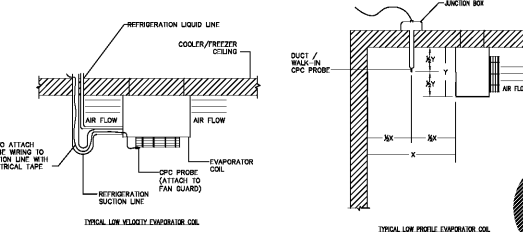
- COOLERS/FREEZERS/PREP AREAS
- ONE SENSOR PER COOLING COIL LOCATE IN THE COILS RETURN AIRFLOW.

#### CASES

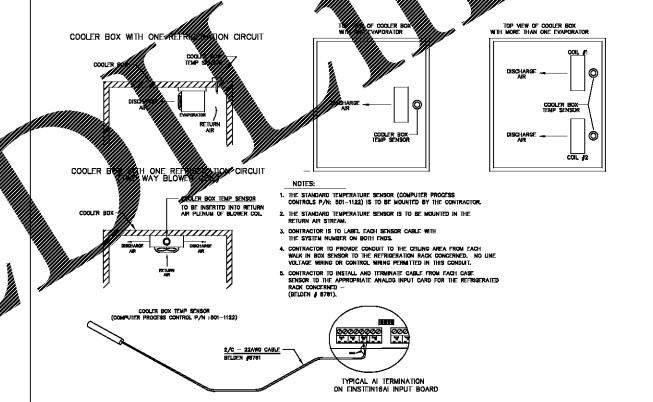
ONE SENSOR PER EVERY TWO CASES, WIDE ISLAND END CAPS TO BE CONSIDERED CASES. SENSORS TO BE LOCATED IN THOSE CASES MOST LIKELY TO EXPERIENCE THE GREATEST LOAD. (CASES AT END OF LINE UPS OR NEAR DOORS TO VESTIBULE, BACKROOM OR PREP AREA)

MISCELLANEOUS EQUIPMENT (FREE STANDING FREEZERS, REFRIGERATORS ETC.): ONE SENSOR PER ITEM. ICE MACHINES AND BLAST CHILLERS DO NOT REQUIRE TEMPERATURE SENSORS.

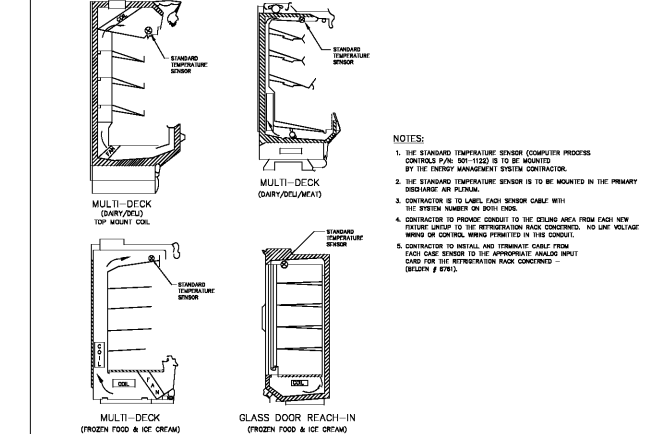
EXCEPTIONS TO ABOVE RULES:  
IF CIRCUIT CONSISTS OF DISSIMILAR CASE MODELS, PROVIDE A MINIMUM OF ONE SENSOR PER MODEL TYPE. EACH GLASS DOOR END CAP TO BE PROVIDED WITH A SENSOR. ANY OTHER GLASS DOOR CASES ON CIRCUITS TO BE CONSIDERED INDEPENDENTLY.  
IF ALL CASES ON A CIRCUIT ARE NOT ADJOINING, PROVIDE A MINIMUM OF ONE SENSOR PER CONTINUOUS SECTION.



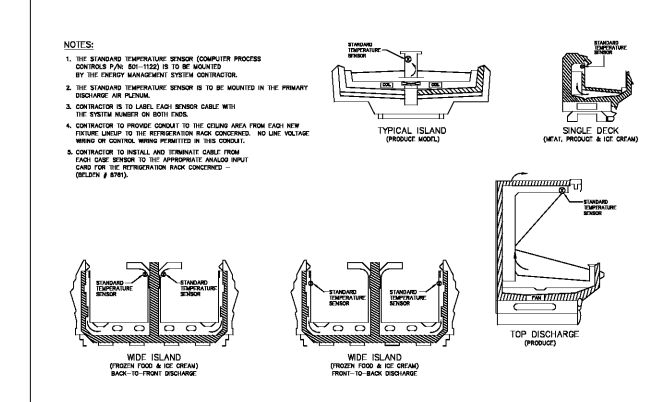
2 EINSTEIN CONTROL SYSTEM -- BOX PROBE MOUNTING DETAIL SCALE: NONE



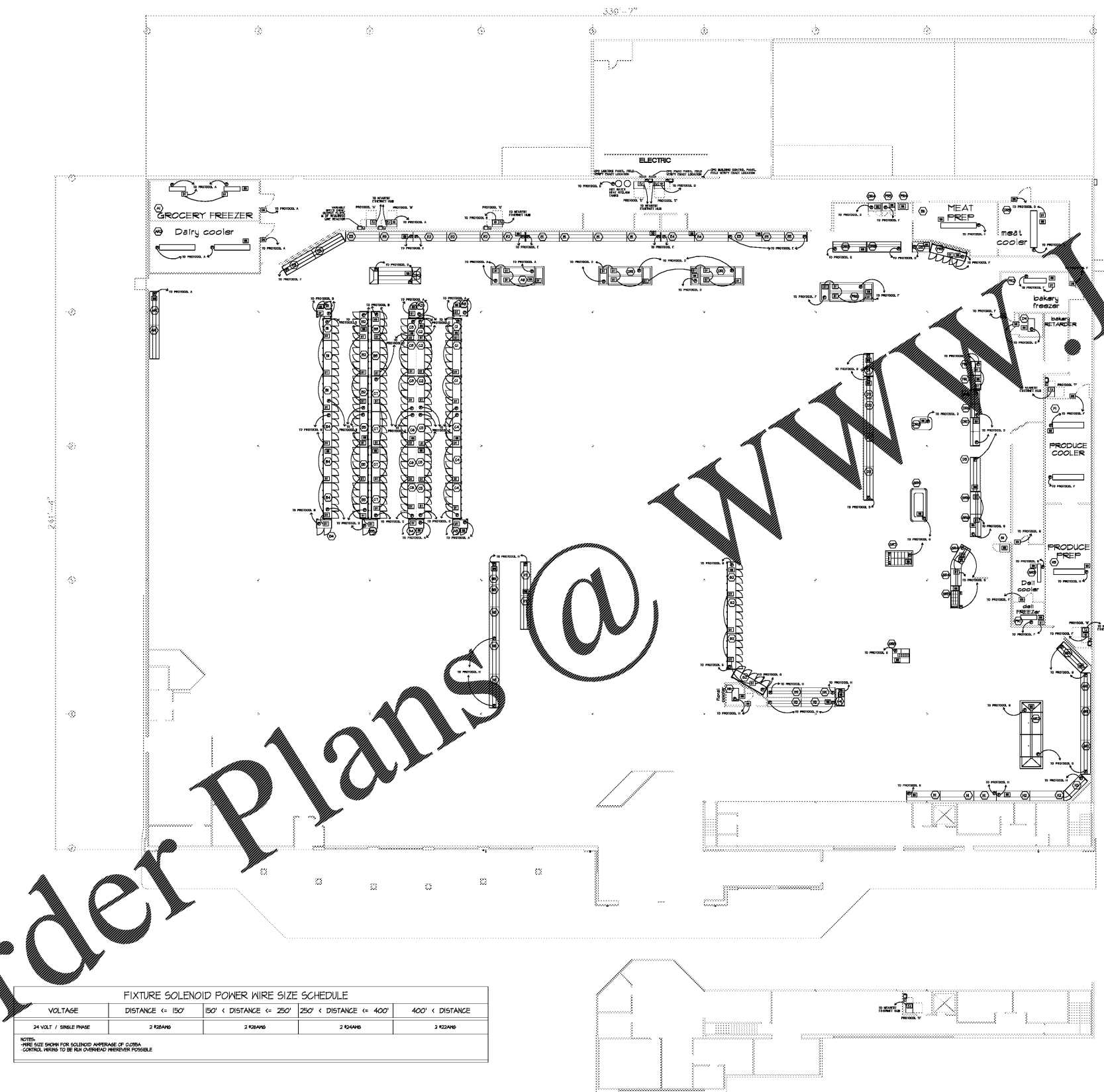
3 EINSTEIN CONTROL SYSTEM -- SENSOR INSTALLATION - COOLER BOX SCALE: NONE



4 EINSTEIN CONTROL SYSTEM -- CASE SENSOR LOCATIONS (MULTI-DECK) SCALE: NONE



5 EINSTEIN CONTROL SYSTEM -- CASE SENSOR LOCATIONS (SINGLE-DECK) SCALE: NONE



VOLTAGE	DISTANCE < 150'	150' < DISTANCE < 250'	250' < DISTANCE < 400'	400' < DISTANCE
24 VOLT / SINGLE PHASE	2 K22AWG	2 K26AWG	2 K24AWG	2 K22AWG

NOTES:  
WIRE SIZE SHOWN FOR SCHEDULED AMPERAGE OF COISA CONTROL WIRING TO BE RUN OVERHEAD WHENEVER POSSIBLE.

1 ENERGY MANAGEMENT TERMINATION PLAN SCALE: NONE

ATTENTION DESIGN ENGINEERS:  
THIS DRAWING REPRESENTS A TYPICAL STORE, AND SERVES AS A TEMPLATE FOR DEVELOPING JOB SPECIFIC DRAWINGS. YOUR DRAWINGS SHALL REFLECT THE DESIGN REQUIREMENTS FOR YOUR SPECIFIC STORE, AND SHALL USE THE LAYOUT ESTABLISHED BY THIS TEMPLATE. USE OF THE TEMPLATE IS NECESSARY TO SUPPORT THE DESIGN AND PROCUREMENT SYSTEMS WITHIN THE WOODS COMPANY.



NEW STORE - PROTOCOL (90K)  
CONTROLS  
INSTALLATION TEMPLATE

CURRENT PLAN DATE	2/24/2009
ORIGINAL PLAN DATE	7/15/08
DESIGNER	SHELTON PETERS
CHECKED	SP 2/24/09
REVISIONS	
STANDARD PLOTTED BOARD	
TOTAL SHELVING	
SALES AREA	
SQ. FEET STORE BUILDING	
BASE STORE	
MEZZANINE	
DOOR / UTILITY	
CROSS BUILDING	
ENERGY MANAGEMENT TERMINATION PLAN	
EST. PACKAGE ID	
DATE	EM-2.PRO
CHG FILE	