

ANALOG TEMPERATURE SENSOR GUIDELINES

APPLICATION:

- COOLERS/REFREEZERS/PREP AREAS
ONE SENSOR PER COOLING COIL. LOCATE IN THE COILS RETURN AIRFLOW.
- CASES
ONE SENSOR PER EVERY TWO CASES. WIDE ISLAND END CAPS TO BE CONSIDERED CASES. SENSORS TO BE LOCATED IN THOSE CASES MOST LIKELY TO EXPERIENCE THE GREATEST LOAD. (CASES AT END OF LINE UPS OR NEAR DOORS TO VESTIBULE, BACKROOM OR PREP AREA)
- MISCELLANEOUS EQUIPMENT (FREE STANDING FREEZERS, REFRIGERATORS ETC.)
ONE SENSOR PER ITEM
ICE MACHINES AND BLAST CHILLERS DO NOT REQUIRE TEMPERATURE SENSORS.

EXCEPTIONS TO ABOVE RULES:

- IF CIRCUIT CONSISTS OF DISSIMILAR CASE MODELS, PROVIDE A MINIMUM OF ONE SENSOR PER MODEL TYPE.
- EACH GLASS DOOR END CAP TO BE PROVIDED WITH A SENSOR. ANY OTHER GLASS DOOR CASES ON CIRCUITS TO BE CONSIDERED INDIVIDUALLY.
- IF ALL CASES ON A CIRCUIT ARE NOT ADJOINING, PROVIDE A MINIMUM OF ONE SENSOR PER CONTIGUOUS SECTION.

FIXTURE SOLENOID POWER WIRE SIZE SCHEDULE

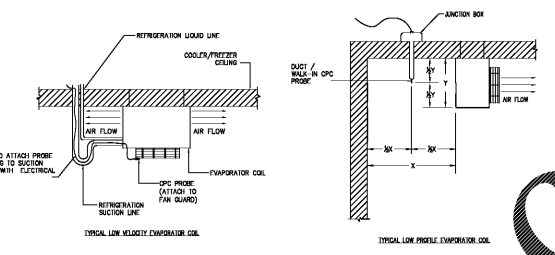
VOLTAGE	DISTANCE < 200'	200' < DISTANCE < 400'	400' < DISTANCE
24 VOLT / SINGLE PHASE	2 #14AWG	2 #14AWG	2 #14AWG

NOTES:
WIRE SIZE SHOWN FOR SOLENOID AMPERAGE OF GLASS CONTROL. WIRING TO BE RUN OVERHEAD WHENEVER POSSIBLE.

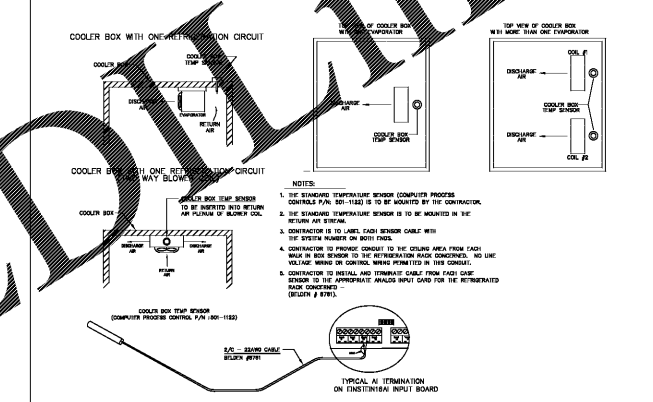
SYMBOL DESCRIPTION

○	REFRIGERATION CIRCUIT DISPOSITION
□	DEFROST TERMINATION DISPOSITION
○	ANALOG TEMPERATURE SENSOR
□	DOOR SWITCH
○	FRIGHT SENSOR
○	SHADE DETECTOR
□	SECTION STOP SOLENOID

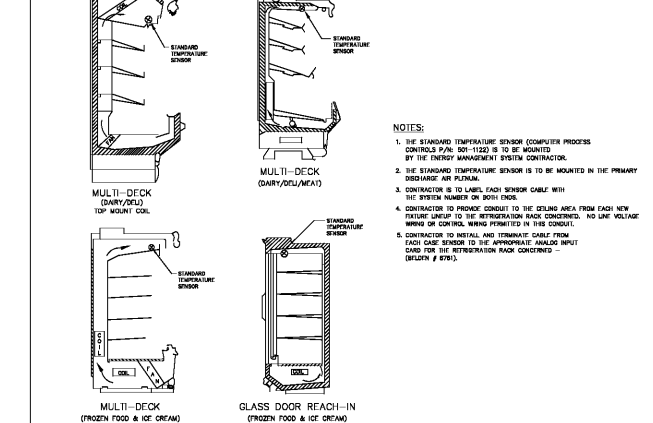
1. WIDE CASES ARE TYPICAL FROM LOOP PANEL. SECTION STOP SOLENOID WILL BE ON REFRIGERATION CIRCUIT ON EACH CASE.
2. REFER TO Piping DRAWING DEL 84 10 FOR EXACT LOCATIONS.



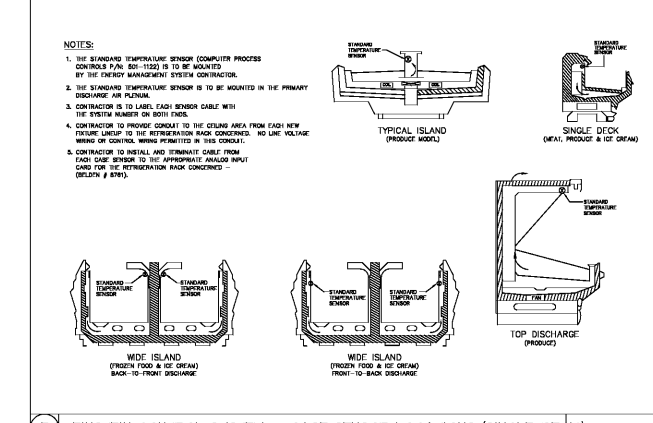
2. EINSTEIN CONTROL SYSTEM -- BOX PROFF MOUNTING DETAIL SCALE: NONE



3. EINSTEIN CONTROL SYSTEM -- SENSOR INSTALLATION - COOLER BOX SCALE: NONE



4. EINSTEIN CONTROL SYSTEM -- CASE SENSOR LOCATIONS (MULTI-DECK) SCALE: NONE



5. EINSTEIN CONTROL SYSTEM -- CASE SENSOR LOCATIONS (SINGLE-DECK) SCALE: NONE

ATTENTION DESIGN ENGINEERS:

THIS DRAWING REPRESENTS A TYPICAL STORE, AND SERVES AS A TEMPLATE FOR DEVELOPING JOB SPECIFIC DRAWINGS. YOUR DRAWINGS SHALL REFLECT THE DESIGN REQUIREMENTS FOR YOUR SPECIFIC STORE, AND SHALL USE THE LAYOUT ESTABLISHED BY THIS TEMPLATE. USE OF THE TEMPLATE IS NECESSARY TO SUPPORT THE DESIGN AND PROCUREMENT SYSTEMS WITHIN THE WOODS COMPANY.

WWW.LDOnline.com

GENERAL OFFICE FACILITY ENGINEERING
KROGER STORES OF AMERICA, INC.
P.O. BOX 790, NEW PATENT, MISSOURI 64501

NEW STORE

CONTROLS

INSTALLATION TEMPLATE

CURRENT PLAN DATE: 07/02/09	
ORIGINAL PLAN DATE: 3/31/06	TRAVIS CRON
REVISION: SP 12/23/06	CTSI 7/2/09
STANDARD PLOTTED BOARD:	
TOTAL SHELVING	
SALL'S AREA	
# OF STORE BAY	
BAS' STORE	
MEZZANINE	
DOCK / UTILITY	
GROSS BUILDING 50,768 SF	
ENERGY MANAGEMENT TERMINATION PLAN	
SHEET PACKAGE ID:	
EM-2	
GEO FILE:	

1. ENERGY MANAGEMENT TERMINATION PLAN

SCALE: NONE