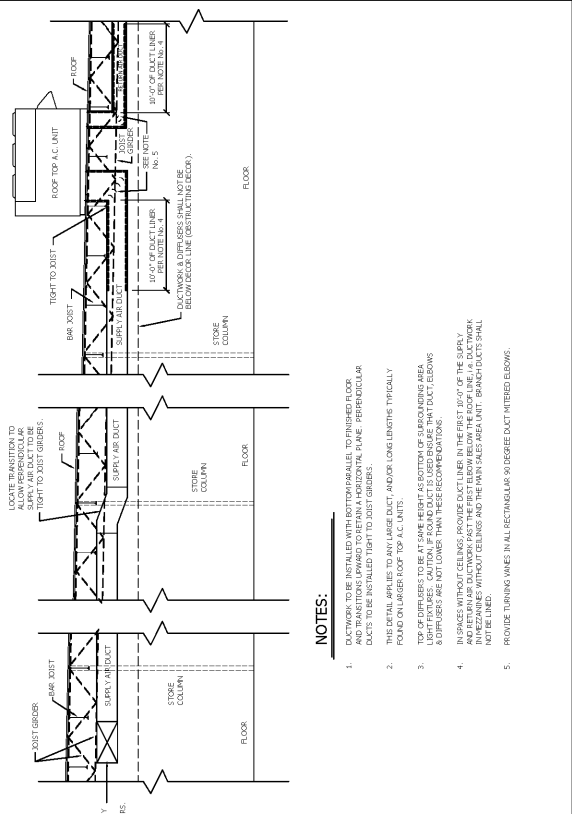


Order Plans @

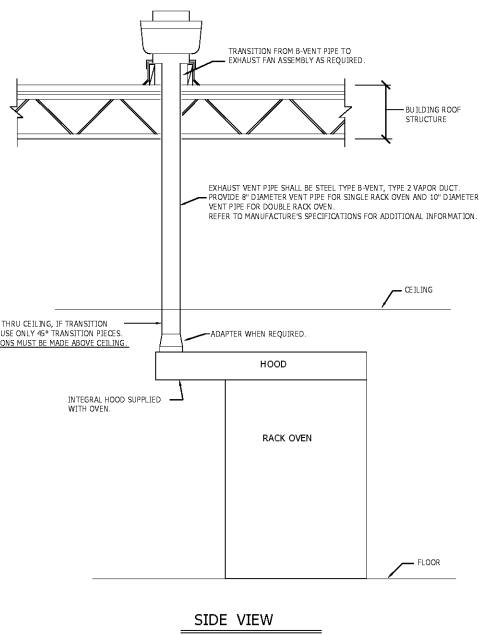
WWW.WALDLINE.COM



- NOTES:**
1. ALL CURB & RTU INSTALLATIONS SHALL BE INSTALLED TO REMAIN IN PLACE AND TRANSITIONS LAID TO REMAIN HORIZONTAL IN PLACE - PERPENDICULAR DUCTS TO BE INSTALLED TIGHT TO JOIST GIRDERS.
 2. THIS DETAIL APPLIES TO ANY LARGE DUCT, AND/OR CONDENSING TYPICALLY FOUND ON LARGE ROOF TOP A.C. UNITS.
 3. TOP OF DUCTS - NOTE AT SPACES IDENTIFICATION OF SLOPING AREA & SLOPES ARE NOT LONGER THAN THESE RECOMMENDATIONS.
 4. IN SPACES WITHOUT CEILING, PROVIDE DUCT LINES IN THE FIRST 8" OF THE SUPPLY & RETURN DUCTS TO BE SUPPORTED BY THE CEILING AND THE HANGERS SHALL BE BRACKETED TO THE CEILING. PROVIDE TURNING VANES IN ALL RECTANGULAR 90 DEGREE DUCT TURNED ELBOWS.
 5. PROVIDE TURNING VANES IN ALL RECTANGULAR 90 DEGREE DUCT TURNED ELBOWS.

MAIN DUCT ELEVATION	DATE: 9/22/10
	SCALE: NONE
	DRAWN: JFQ
MASTER SPECIFICATION DETAIL	HSD-3

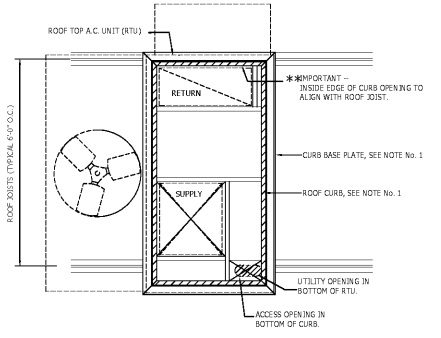
ORIGINAL ISSUE DATE 10/2/06



- Notes:**
1. ALL DELIBERATE HOOD EXHAUST DUCTS SHALL BE 10" Ø HORIZONTALLY OR 3" Ø VERTICALLY FROM ANY PARALLEL WALL. COORDINATE WITH LOCAL & STATE CODES.

BAKERY RACK OVEN EXHAUST	DATE: 10/11/12
	SCALE: NONE
	DRAWN: ZAW
MASTER SPECIFICATION DETAIL	HSD-7

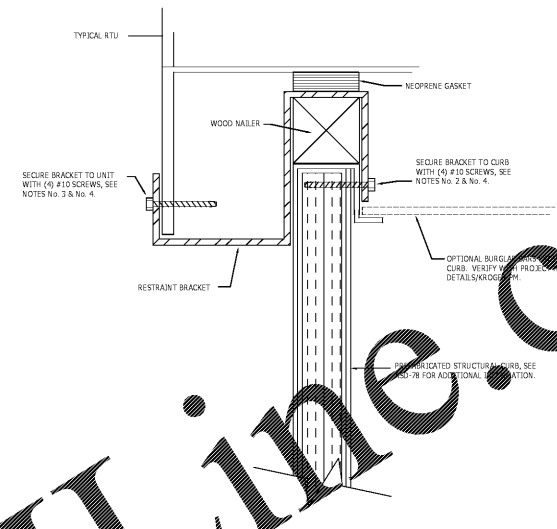
ORIGINAL ISSUE DATE 1/30/09



- Notes:**
1. INSTALL CURB BASE PLATE ON JOIST, INSERT CURB INTO BASE PLATE AND LEVEL PER RTU MANUFACTURER'S RECOMMENDATIONS, ATTACH BASE PLATE AND CURB THRU PRE-PUNCHED HOLES IN BASE PLATE WITH #12 x 1" TEK SCREWS SUPPLIED WITH CURB.
 2. REFER TO ARCHITECTURAL PLANS FOR CURB LOCATIONS AND MANUFACTURER'S INSTALLATION GUIDE FOR ADDITIONAL CURB & RTU INFORMATION.
 3. ADDITIONAL REFERENCE DETAILS - ASD-78 & HSD-10.
 4. RTU CURB IS PERMITTED TO OVERLAP ROOF JOIST A MAXIMUM OF 24".
 5. BUILDING ENVELOPE MAINTAINED THRU INSULATED CURB AND INSULATED RTU CABINET.

ADJUSTABLE ROOF CURB FOR CABINET RTU	DATE: 1/14/13
	SCALE: NONE
	DRAWN: ZAW
MASTER SPECIFICATION DETAIL	HSD-9A

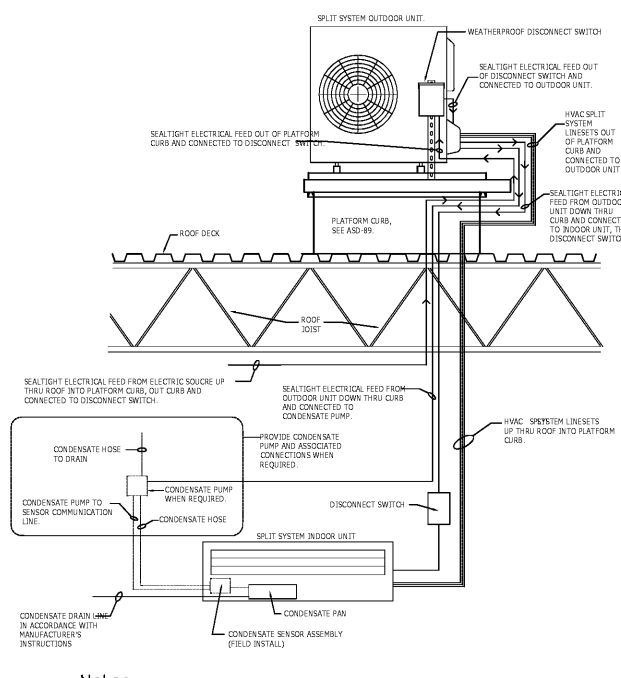
ORIGINAL ISSUE DATE 10/1/09



- NOTES:**
1. WIND-SEISMIC BRACKETS, PREFABRICATED STRUCTURAL CURB & RTU ARE SUPPLIED WITH CURBS AND CONTRACTOR INSTALLED.
 2. ATTACH BRACKET TO INSIDE TOP OF CURB USING TEK SCREWS SUPPLIED AS SHOWN - ATTACH MOUNTING BRACKET TO CURB BEFORE MOUNTING UNIT ON CURB.
 3. AFTER SETTING UNIT ON CURB, ATTACH BOTTOM OF BRACKET TO BASE RAIL ON UNIT WITH TEK SCREWS SUPPLIED AS SHOWN.
 4. BRACKETS AND ATTACHMENT SCREWS ARE PROVIDED WITH EACH CURB AND INCLUDE: (6) 1/4 GA. STEEL ATTACHMENT BRACKETS, #10 - 1 1/2" LONG TEK SCREWS. PROVIDE AMPLE NUMBER OF SCREWS. THESE BRACKETS ON EACH LONG SIDE OF CURB EQUALLY BRACED.
 5. (6) BRACKETS ON 9" CABINET ONLY.

RTU WIND-SEISMIC RESTRAINT BRACKET	DATE: 11/15/17
	SCALE: NONE
	DRAWN: ZAW
MASTER SPECIFICATION DETAIL	HSD-10

ORIGINAL ISSUE DATE 10/1/09



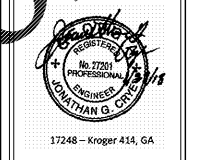
- Notes:**
1. REFER TO ASD #9 FOR PLATFORM CURB INSTALLATION AND ADDITIONAL INFORMATION.
 2. SPLIT SYSTEMS MANUFACTURERS AND MODELS VARY, REFERENCE MANUFACTURER'S INSTALLATION GUIDE FOR ADDITIONAL INFORMATION.

HVAC SPLIT SYSTEM DIAGRAM	DATE: 10/11/12
	SCALE: NONE
	DRAWN: ZAW
MASTER SPECIFICATION DETAIL	HSD-11

ORIGINAL ISSUE DATE 3/11/11



ARCHITECTURE, INC.
11111
37515
673-9028



NO.	REVISIONS

17248 - Kroger 414, GA

A With-in-the-Walls Remodel for:
KROGER STORE #GA-414
4355 WASHINGTON ROAD, EVANS, GEORGIA 30809

HSD DETAILS

COPYRIGHT
ALL RIGHTS RESERVED. SPECIFICATIONS AND COPIES THEREOF ARE THE PROPERTY OF JGC CONSULTING ENGINEER, INC. AND SHALL BE KEPT IN CONFIDENCE BY THE USER. NO PART OF THIS DOCUMENT IS TO BE REPRODUCED OR TRANSMITTED IN ANY FORM OR BY ANY MEANS, ELECTRONIC OR MECHANICAL, INCLUDING PHOTOCOPYING, RECORDING, OR BY ANY INFORMATION STORAGE AND RETRIEVAL SYSTEM, WITHOUT THE WRITTEN PERMISSION OF JGC CONSULTING ENGINEER, INC. THIS DOCUMENT IS THE PROPERTY OF JGC CONSULTING ENGINEER, INC. AND IS TO BE KEPT IN CONFIDENCE BY THE USER. NO PART OF THIS DOCUMENT IS TO BE REPRODUCED OR TRANSMITTED IN ANY FORM OR BY ANY MEANS, ELECTRONIC OR MECHANICAL, INCLUDING PHOTOCOPYING, RECORDING, OR BY ANY INFORMATION STORAGE AND RETRIEVAL SYSTEM, WITHOUT THE WRITTEN PERMISSION OF JGC CONSULTING ENGINEER, INC.

ISSUE DATE:	JANUARY 29, 2017
PROJECT NO:	217156
SHEET NUMBER:	M 5 . 1

JGC
Jonathan G. Cray
Consulting Engineer

205 SHELBY LANE, SUITE 111
BOWLING GREEN, TENNESSEE 37022
PHONE: (662) 588-5248 FAX: (662) 242-4270
CELL: (662) 588-5248