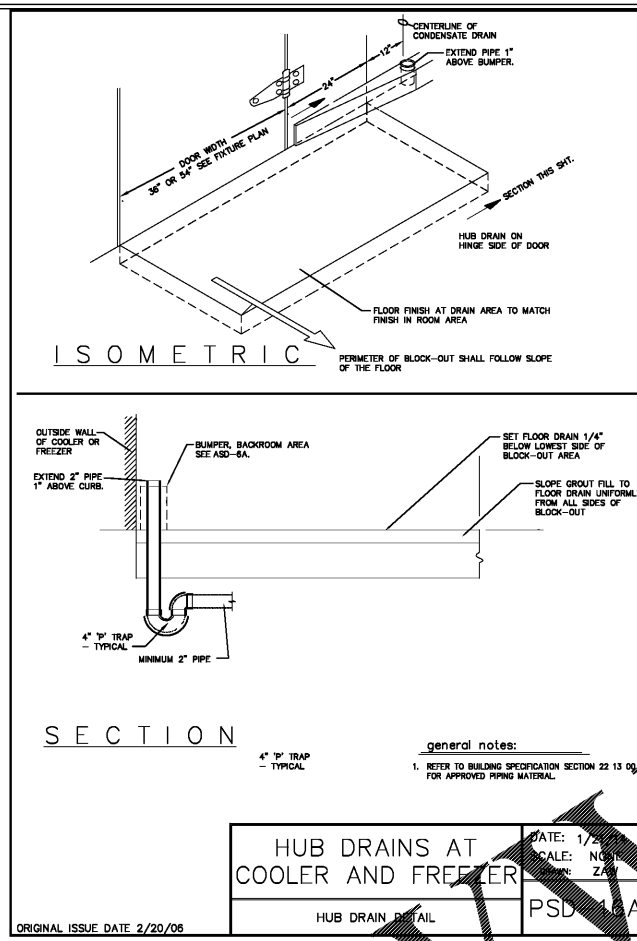
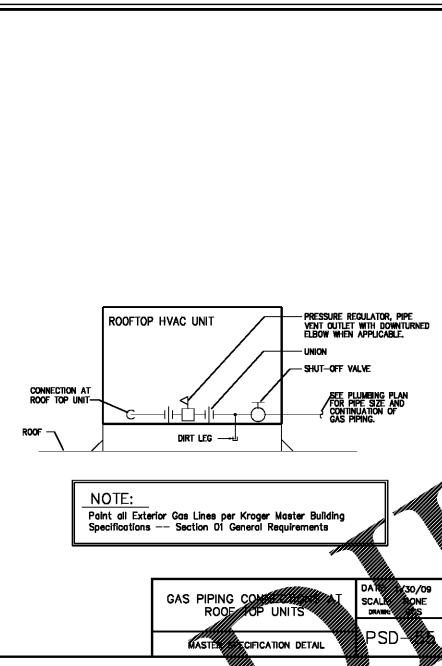


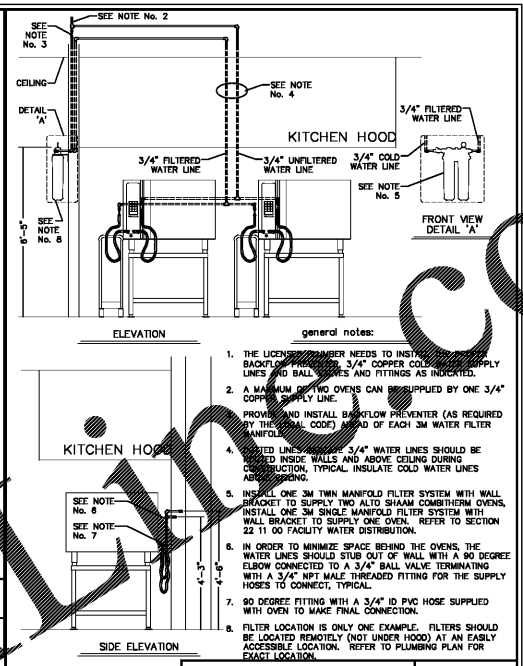
Order Plans @ WWW.LDML.COM



HUB DRAINS AT COOLER AND FREEZER		DATE: 1/29/16
HUB DRAIN DETAIL		SCALE: NONE
PSD-23A		DRWING: TLM / ZAW



GAS PIPING CONNECTION AT ROOFTOP UNITS	DATE: 1/29/16
MASTER SPECIFICATION DETAIL	SCALE: NONE
PSD-23	DRWING: TLM / ZAW



WATER SUPPLY LINES FOR ALTO SHAAM COMBI OVEN	DATE: 1/29/16
MASTER SPECIFICATION DETAIL	SCALE: NONE
PSD-23	DRWING: TLM / ZAW

**D&E DOLLAR & EWERS ARCHITECTURE, INC.**  
 17248 - Kroger 414, GA

NO.	REVISIONS

A With-in-the-Walls Remodel for:  
**KROGER STORE #GA-414**  
 4355 WASHINGTON ROAD, EVANS, GEORGIA 30809

**PSD DETAILS**

**JGO**  
 Consulting Engineer

201 SPURLOCK LANE, SUITE 101  
 KNOXVILLE, TENNESSEE 37922  
 PHONE: (865) 588-5344 FAX: (865) 247-6293  
 FILE NAME: 17248

ISSUE DATE:	JANUARY 29, 2016
PROJECT NO.:	217156
SHEET NUMBER:	P 5.2.2