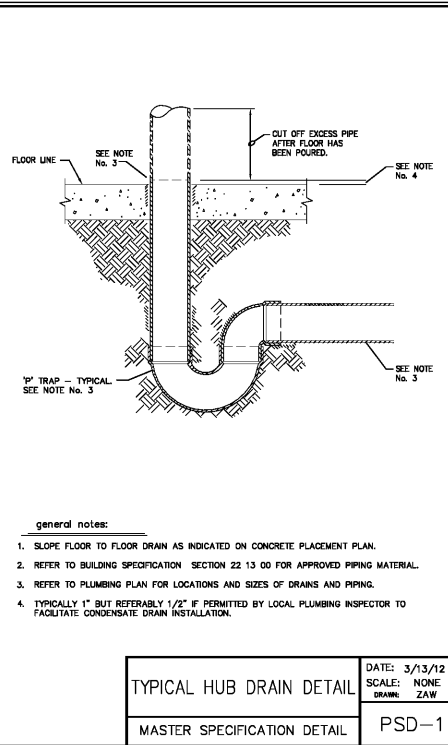
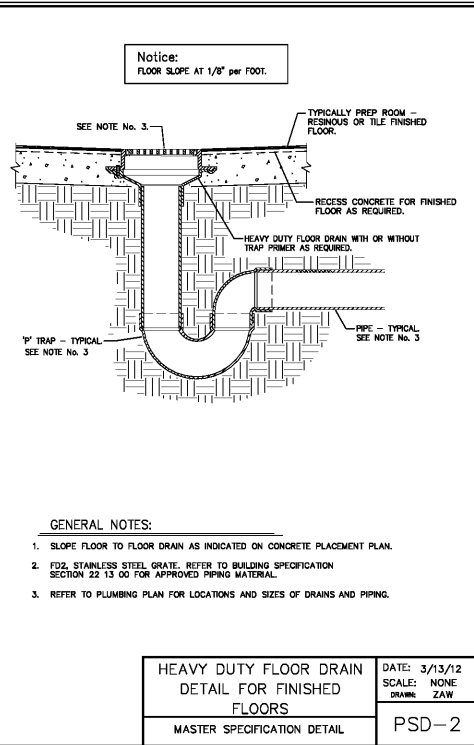


Order Plans



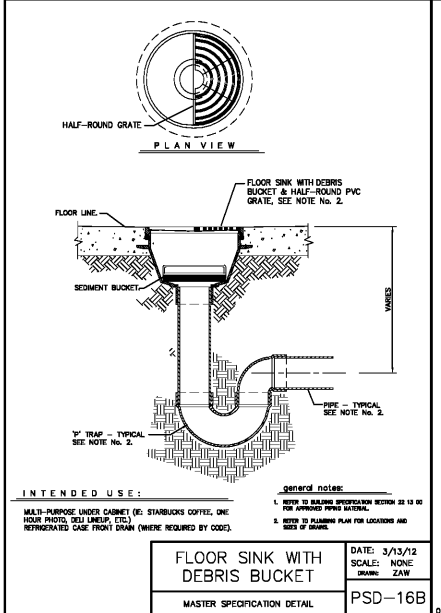
- general notes:
- SLOPE FLOOR TO FLOOR DRAIN AS INDICATED ON CONCRETE PLACEMENT PLAN.
  - REFER TO BUILDING SPECIFICATION SECTION 22 13 00 FOR APPROVED PIPING MATERIAL.
  - REFER TO PLUMBING PLAN FOR LOCATIONS AND SIZES OF DRAINS AND PIPING.
  - TYPICALLY 1" BUT REFERABLY 1/2" IF PERMITTED BY LOCAL PLUMBING INSPECTOR TO FACILITATE CONDENSATE DRAIN INSTALLATION.

TYPICAL HUB DRAIN DETAIL  
DATE: 3/13/12  
SCALE: NONE  
DRAWN: ZAW  
MASTER SPECIFICATION DETAIL  
PSD-1



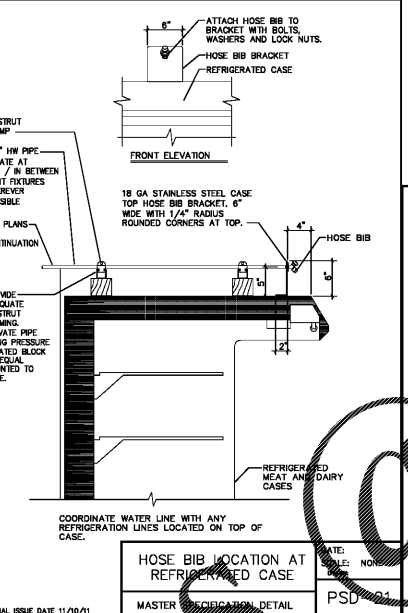
- GENERAL NOTES:
- SLOPE FLOOR TO FLOOR DRAIN AS INDICATED ON CONCRETE PLACEMENT PLAN.
  - F22, STAINLESS STEEL GRATE. REFER TO BUILDING SPECIFICATION SECTION 22 13 00 FOR APPROVED PIPING MATERIAL.
  - REFER TO PLUMBING PLAN FOR LOCATIONS AND SIZES OF DRAINS AND PIPING.

HEAVY DUTY FLOOR DRAIN DETAIL FOR FINISHED FLOORS  
DATE: 3/13/12  
SCALE: NONE  
DRAWN: ZAW  
MASTER SPECIFICATION DETAIL  
PSD-2

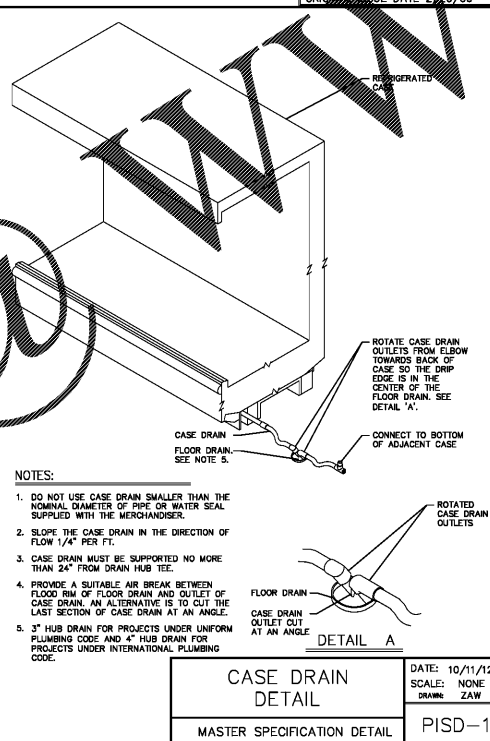


- INTENDED USE:
- MULTI-PURPOSE UNDER CABINET (E. STARBUCKS COFFEE, ONE HOUR HOOD, ECU LINEUP, ECU) REFRIGERATED CASE FRONT DRAIN (WHERE REQUIRED BY CODE).

FLOOR SINK WITH DEBRIS BUCKET  
DATE: 3/13/12  
SCALE: NONE  
DRAWN: ZAW  
MASTER SPECIFICATION DETAIL  
PSD-16B

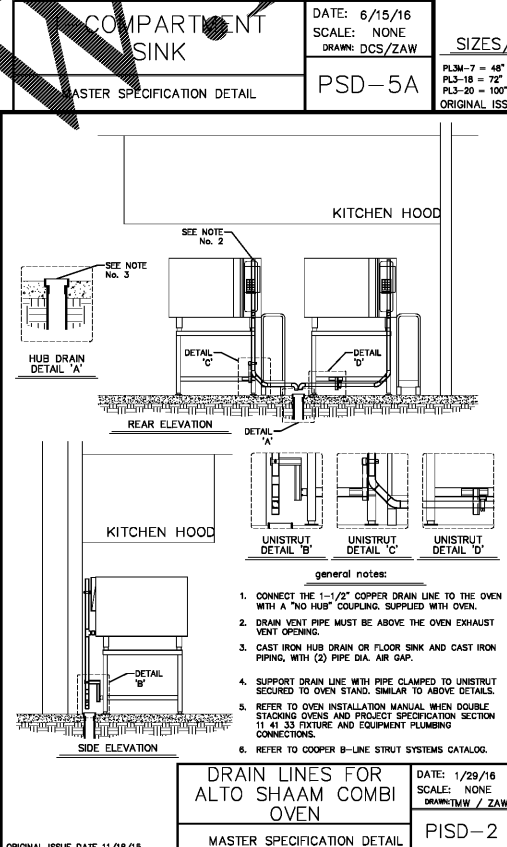


HOSE BIB LOCATION AT REFRIGERATED CASE  
DATE: NONE  
SCALE: NONE  
DRAWN: ZAW  
MASTER SPECIFICATION DETAIL  
PSD-17



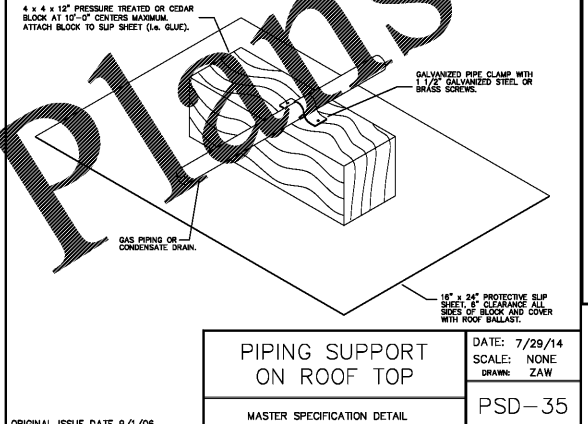
- NOTES:
- DO NOT USE CASE DRAIN SMALLER THAN THE NOMINAL DIAMETER OF PIPE OR WATER SEAL SUPPLIED WITH THE MERCHANDISER.
  - SLOPE THE CASE DRAIN IN THE DIRECTION OF FLOW 1/4" PER FT.
  - CASE DRAIN MUST BE SUPPORTED NO MORE THAN 24" FROM DRAIN HUB TEE.
  - PROVIDE A SUITABLE AIR BREAK BETWEEN FLOOR RIM OF FLOOR DRAIN AND OUTLET OF CASE DRAIN. AN ALTERNATIVE IS TO CUT THE LAST SECTION OF CASE DRAIN AT AN ANGLE.
  - 3" HUB DRAIN FOR PROJECTS UNDER UNIFORM PLUMBING CODE AND 4" HUB DRAIN FOR PROJECTS UNDER INTERNATIONAL PLUMBING CODE.

CASE DRAIN DETAIL  
DATE: 10/11/12  
SCALE: NONE  
DRAWN: ZAW  
MASTER SPECIFICATION DETAIL  
PSD-1



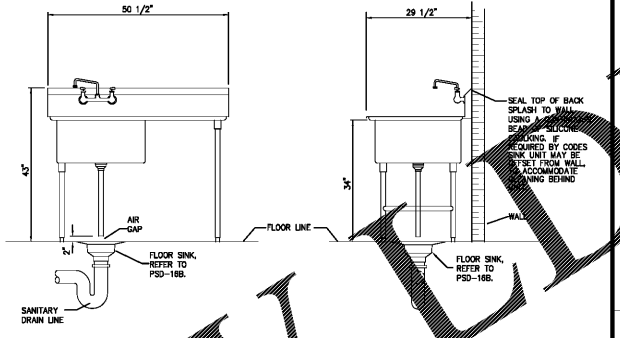
- general notes:
- CONNECT THE 1-1/2" COPPER DRAIN LINE TO THE OVEN WITH A "NO HUB" COUPLING, SUPPLIED WITH OVEN.
  - DRAIN VENT PIPE MUST BE ABOVE THE OVEN EXHAUST VENT OPENING.
  - CAST IRON HUB DRAIN OR FLOOR SINK AND CAST IRON PIPING, WITH (2) PPE DIA. AIR GAP.
  - SUPPORT DRAIN LINE WITH PIPE CLAMPED TO UNISTRUT SECURED TO OVEN STAND, SIMILAR TO ABOVE DETAILS.
  - REFER TO OVEN INSTALLATION MANUAL WHEN DOUBLE STACKING OVENS AND PROJECT SPECIFICATION SECTION 11.41.33 FEATURE AND EQUIPMENT PLUMBING CONNECTIONS.
  - REFER TO COOPER B-LINE STRUT SYSTEMS CATALOG.

DRAIN LINES FOR ALTO SHAAM COMBI OVEN  
DATE: 1/29/16  
SCALE: NONE  
DRAWN: TMW / ZAW  
MASTER SPECIFICATION DETAIL  
PSD-2

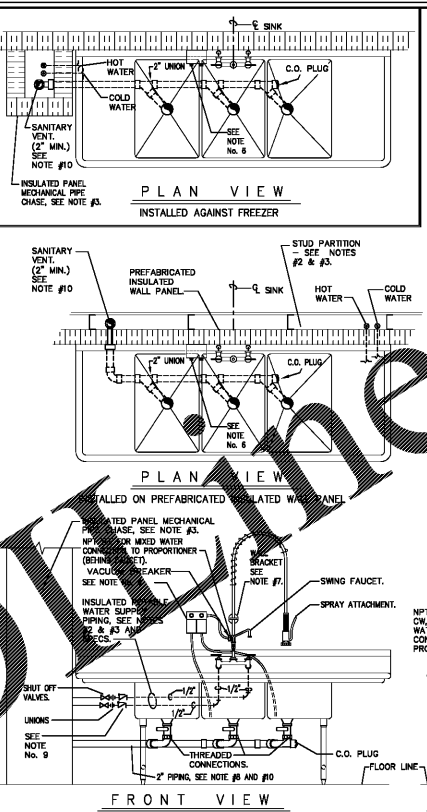


PIPING SUPPORT ON ROOF TOP  
DATE: 7/29/14  
SCALE: NONE  
DRAWN: ZAW  
MASTER SPECIFICATION DETAIL  
PSD-35

- NOTES:
- UNIT TO BE FURNISHED BY KROGER AND INSTALLED BY CONTRACTOR. SEE SPECS.
  - FOR DRAIN LINES REFER TO BUILDING SPECIFICATION SECTION 22 13 00 FOR APPROVED PIPING MATERIAL.
  - FINAL PLUMBING CONNECTIONS SHALL BE MADE BY THE PLUMBING CONTRACTOR.
  - SEE PLUMBING PLAN FOR LOCATIONS AND SIZES OF DRAINS.

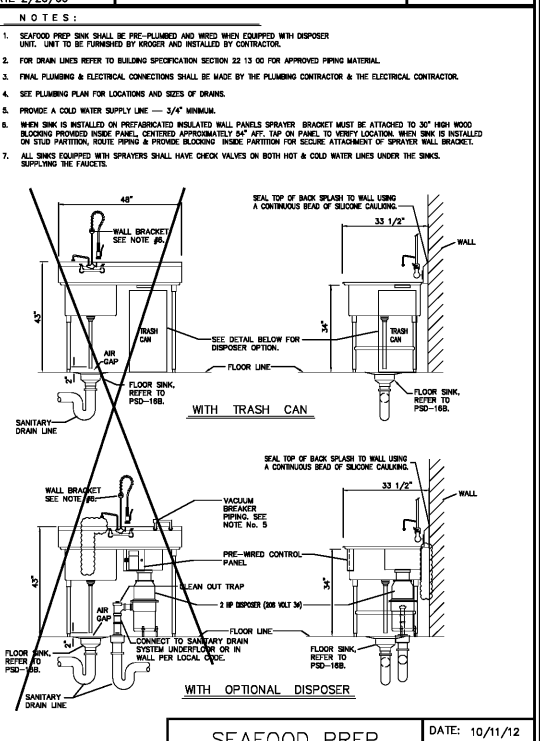


3-COMP UTENSIL WASHING SINK  
DATE: 6/15/16  
SCALE: NONE  
DRAWN: DCS/ZAW  
MASTER SPECIFICATION DETAIL  
PSD-5A



3-COMP UTENSIL WASHING SINK  
DATE: 8/9/16  
SCALE: NONE  
DRAWN: ZAW  
MASTER SPECIFICATION DETAIL  
PSD-7

- NOTES:
- KROGER WILL FURNISH THE SINK, MIXING FAUCETS, 2" LEVER DRAINS, AND SPRAY ATTACHMENT & WALL BRACKET AND (WHEN REQUIRED) THE HEATER AND DISPOSER. CONTRACTOR TO INSTALL SINK CASING.
  - CONTRACTOR SHALL MAKE EVERY EFFORT TO INSTALL WATER SUPPLY PIPING AND SANITARY VENT PIPING ON OTHER SIDE (FROM SIDE OF PREFABRICATED INSULATED WALL PANELS) FORMING RETROGRADED MEAT AND PRODUCE PREP AREAS. WALL STUD PARTITION (WHEN AS INDICATED) LENGTH OF PIPING ROUTED WITHIN THESE AREAS SHALL BE KEPT TO A MINIMUM.
  - IF WATER SUPPLY PIPING AND SANITARY VENT PIPING MUST BE ROUTED EXPOSED WITHIN THESE AREAS PIPES SHALL BE INSULATED UNDER SINK AND SEALED TO WALL WITH PIPE CLAMPS PROVIDING SPACE BETWEEN PIPES AND WALL MEET HEALTH DEPARTMENT REQUIREMENTS. PHYSICAL PROTECTION MUST BE PROVIDED VIA PIPE CHASE AS INDICATED.
  - PIPING WILL NOT BE PERMITTED IN COUPLER OR FLEXIBLE WALLS FOR DRAIN PIPES AND BOWL CASING.
  - SEE MANUFACTURER'S DRAWING FOR DRAIN PIPES AND BOWL CASING.
  - PROVIDE A DISPENSER FOR SOAP & SANITIZER. WHEN SUPPLIED & INSTALLED.
  - WHEN SINK IS INSTALLED ON PREFABRICATED INSULATED WALL PANELS SPRAYER BRACKET MUST BE ATTACHED TO SPRAYER BRACKET PROVIDED INSIDE PIPING APPROXIMATELY 54" OFF-FLOOR FROM PANEL TO KEY LOCATION. WHEN SINK IS INSTALLED ON STUD PARTITION, ROUTE PIPING & PROVIDE BLOCKING & PARTITION FOR SECURE ATTACHMENT OF SPRAYER WALL BRACKET.
  - OR DRAIN LINES REFER TO BUILDING SPECIFICATION SECTION 22 13 00 FOR APPROVED PIPING MATERIAL.
  - ALL SINKS EQUIPPED WITH SPRAYERS SHALL HAVE CHECK VALVES ON BOTH HOT & COLD WATER LINES UNDER THE SINKS SUPPLYING THE FAUCETS.
  - REFER TO DRAWINGS FOR FINAL PLUMBING CONNECTION REQUIRED BY AUTHORITY HAVING JURISDICTION.



SEAFOOD PREP SINK  
DATE: 10/11/12  
SCALE: NONE  
DRAWN: ZAW  
MASTER SPECIFICATION DETAIL  
PSD-5S

**D&E DOLLAR & FLETCHER ARCHITECTURE, INC.**  
1100 S. 13th Avenue, Evans, GA 30809  
Phone: 770-375-3751  
Fax: 770-375-3752  
www.dollarandfletcher.com

**REGISTERED PROFESSIONAL ENGINEER**  
No. 17261  
DOMINIC J. COLEMAN  
17248 - Kroger 414, GA

NO. REVISIONS

**Order Plans**

**KROGER STORE #GA-414**  
4355 WASHINGTON ROAD, EVANS, GEORGIA 30809

**PSD DETAILS**

**COPYRIGHT**  
ALL RIGHTS RESERVED. NO PART OF THIS PUBLICATION MAY BE REPRODUCED OR TRANSMITTED IN ANY FORM OR BY ANY MEANS, ELECTRONIC OR MECHANICAL, INCLUDING PHOTOCOPYING, RECORDING, OR BY ANY INFORMATION STORAGE AND RETRIEVAL SYSTEM, WITHOUT PERMISSION IN WRITING FROM THE PUBLISHER. THE PUBLISHER'S NAME AND ADDRESS ARE: D&E DOLLAR & FLETCHER ARCHITECTURE, INC., 1100 S. 13th Avenue, Evans, GA 30809. THE PUBLISHER'S PHONE NUMBER IS 770-375-3751. THE PUBLISHER'S FAX NUMBER IS 770-375-3752. THE PUBLISHER'S WEBSITE IS WWW.DOLLARANDFLETCHER.COM.

**COPYRIGHT**

ISSUE DATE: JANUARY 29, 2017  
PROJECT NO: 217156  
SHEET NUMBER: P 5.2.1

**JGC**  
John G. Cripe  
Consulting Engineer  
225 BRIDGE LANE, SUITE 101  
BOWLING GREEN, TENNESSEE 37026  
PHONE: (615) 588-5248 FAX: (615) 247-0210  
CELL: (615) 588-5248