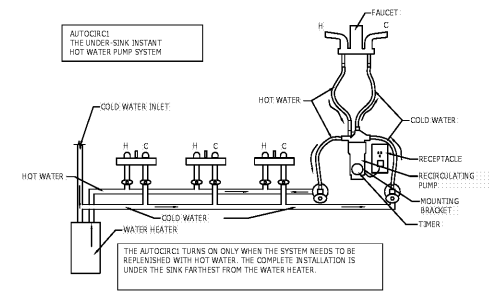


Order Plans @

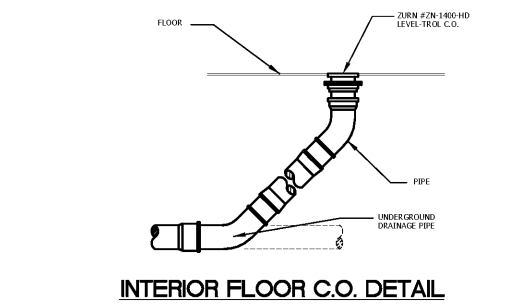
WWW.WALLS@



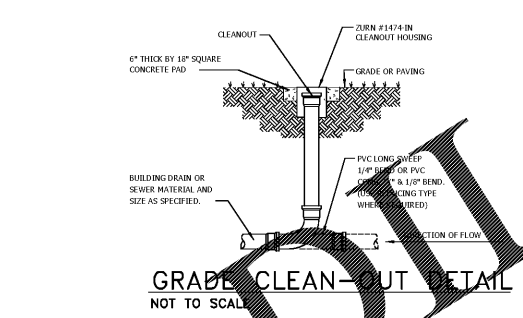
THE AUTOCIRC UNDER-SINK INSTANT HOT WATER PUMP SYSTEM:
 DOES NOT REQUIRE A RETURN LINE.
 14 WATTS, 120V/60.
 PACKAGED COMPLETE WITH A 9' LONG POWER CORD.
 REQUIRES ONLY ONE PUMP AND ONE INSTALLATION FOR ALL FIXTURES ON THE HOT WATER PLUMBING LINE.
 BUILT-IN FIXED THERMOSTAT.
 HAS A BUILT-IN 24 HOUR TIMER WHICH ALLOWS THE SELECTION OF SYSTEM OPERATING PERIODS TO SUIT USAGE.

CP-2 DETAIL

PLUMBING FIXTURE SCHEDULE			
MARK ON PLANS	TYPE	MARK IN SPECIFICATIONS	SPECIFICATION SECTION
WC-1	WATER CLOSET	WATER CLOSET	22 42 00
WC-2	HANDICAPPED WATER CLOSET	WATER CLOSET	22 42 00
UR-1	URINAL	URINAL	22 42 00
L-1	LAVATORY (NON-FOOD AREA)	RESTROOM LAVATORIES	22 42 00
CP-1	NOT USED		
CP-2	HOT WATER CIRCULATING PUMP	UNDER SINK INSTANT HOT WATER PUMP CP-2	22 33 00
WF	WATER FILTER	WATER FILTERS	22 11 00
HB-1	INTERIOR HOSE BIBB	INTERIOR HOSE BIBB	22 11 00
TMV-1	THERMOSTATIC MIXING VALVES	THERMOSTATIC MIXING VALVES	22 11 00



INTERIOR FLOOR C.O. DETAIL



GRADE CLEAN-OUT DETAIL
 NOT TO SCALE

- GENERAL NOTES:**
- GAS PIPING SHALL BE SCHEDULE 40 BLACK STEEL WITH BLACKENED WELLS. PROVIDE CUT-OFF COCKS AND METER GAS-FIRED EQUIPMENT.
 - PROVIDE WATER HEATER VENT AND CHIMNEY FOR ALL REFRIGERANT, CONDENSATE DRAIN & GAS PIPING PASSING THRU WALLS, OR ROOF.
 - PLUMBING CONTRACTOR SHALL COORDINATE THE LOCATION OF ALL EQUIPMENT AND WORK WITH OTHER TRADES.
 - THIS CONTRACTOR SHALL BE RESPONSIBLE FOR ALL CUTTING, PATCHING AND RESTORING TO LIKE NEW ALL EXISTING WALLS, FLOORS AND CEILING DAMAGE CAUSED BY HIS WORK.
 - IT IS MANDATORY THAT THIS CONTRACTOR SHALL VISIT THE SITE FOR VISUAL INSPECTION BEFORE BID DATE. ALL EXISTING PLUMBING EQUIPMENT MUST BE REMOVED AND DISPOSED OF AS DIRECTED.
 - PLUMBING CONTRACTOR SHALL BE RESPONSIBLE FOR ALL REPAIRS CREATED BY HIS WORK. THE JOB SITE SHALL BE LEFT CLEAN AND ALL REUSED OR NEW EQUIPMENT SHALL BE LEFT IN FIRST CLASS WORKING CONDITION.
 - GUARANTEE: PLUMBING WORK SHALL BE GUARANTEED AGAINST DEFECTS AND WORKMANSHIP. AND MATERIALS FOR A PERIOD OF ONE YEAR AFTER DATE OF SUBSTANTIAL COMPLETION. ALL EQUIPMENT SHALL BE TURNED OVER TO THE OWNER IN BRIGHTER CONDITION.
 - STAIN ALL PERMITS SHALL BE PAID FOR BY THE CONTRACTOR.
 - WORKING OF PIPE HANGERS SHALL BE IN ACCORDANCE WITH ASH-B01.1. PIPING SHALL BE INSTALLED SO THAT EQUIPMENT DOES NOT TAKE THE LOAD OF ANY PIPING.
 - IF A 24 HOUR GAS PRESSURE IS AVAILABLE WITH LOCAL GAS COMPANY BEFORE STARTING WORK.
 - IN CASE OF DISCREPANCIES BETWEEN THE DRAWINGS AND SPECIFICATIONS, THE SPECIFICATIONS SHALL PREVAIL.
 - IT IS MANDATORY THAT THIS CONTRACTOR SHALL VISIT JOB SITE FOR VISUAL INSPECTION BEFORE BID DATE.

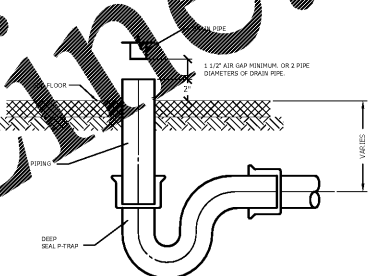
MATERIALS OF CONSTRUCTION:

SANITARY SEWER, WASTE, DRAIN & VENT	SEE SPECIFICATION 22 13 00 Facility Sanitary Sewerage. WASTE AND SEWER PIPING DOWNSTREAM OF WATER DISCHARGED AT 140 DEGREES OR HOTTER SHALL BE CAST IRON FOR 20' DOWNSTREAM.
VENTS ABOVE CEILING	SEE SPECIFICATION 22 13 00 Facility Sanitary Sewerage WASTE AND VENT PIPING INSTALLED IN WALLS WITH HOODS, SHALL BE "CAST IRON".
HOT & COLD WATER	SEE SPECIFICATIONS 21 11 00 Facility Distribution, Part 2 - Products, SECTION 2. PEX TUBING COULDED PEX tubing must be labeled as follows: The manufacturer's name or trademark. The standard to which it conforms (ASTM F876, F877, AWWA C904 and/or CSA B137.5) Tube size and CTS Material designation code (PEX1000) Pressure-temperature ratings (SDR) If the tubing is for potable water, a laboratory seal or mark attesting to suitability for potable water. ASTM fittings designations approved for use by the tubing manufacturer. PEX fittings must be made of metal and must be secured with metal compression fittings. PEX tubing may not be used for water heater connections within the first 18 inches of the piping connected to the water heater.
SANITARY SEWER 5'-0" OUTSIDE BUILDING	PVC ASTM D-3034
INSULATION	SEE SPECIFICATIONS 22 01 00 Partitions, Insulation.
CONDENSATE DRAIN	SEE SPECIFICATION 22 13 00 Facility Sanitary Sewerage.
GAS PIPING	SCHEDULE 40 BLACK STEEL, WELDED WELLS. BLACKENED IRON FITTINGS. PROVIDE CUT-OFF COCKS & UNIONS TO EQUIPMENT.
FIREWATER LINE	CLASS 200 PVC DR-18

*ALL INSULATED FITTINGS SHALL BE WRAPPED WITH ZESTON #2000 PVC USDA APPROVED SACKETING.

PLUMBING SYMBOL LEGEND:

U	MEN'S URINAL - ULL - SEE SPECIFICATIONS
WC	WATER CLOSET - WC1 - SEE SPECIFICATIONS
WC2	ACCESSIBLE WATER CLOSET - WC2 - SEE SPECIFICATIONS
UR	NON-FOOD PREP AREA LAVATORY - LL - SEE SPECIFICATIONS
LA	ACCESSIBLE LAVATORY - SEE SPECIFICATIONS
FP	FOOD PREP AREA LAVATORY - SEE SPECIFICATIONS
SS	SERVICE SINK - SEE SPECIFICATIONS
WF	NEW WATER FILTER, MOUNT 12" BELOW CEILING. VERIFY LOCATION WITH PROJECT MANAGER
FDE	FLOOR DRAIN - EXISTING - REUSE
HDE	HUB DRAIN - EXISTING - REUSE
FDA	FLOOR DRAIN - ABANDON, SEE PLUMBING NOTES SHEET PDS.1
HDA	HUB DRAIN - ABANDON, SEE PLUMBING NOTES SHEET PDS.1
COA	CLEANOUT - ABANDON, SEE PLUMBING NOTES SHEET PDS.1
ESD	EXIST. CLEANOUT
TDA	TRENCH DRAIN - ABANDON, SEE PLUMBING NOTES SHEET PDS.1
TDE	TRENCH DRAIN - EXISTING - REUSE



HUB DRAIN/AIR GAP DETAIL

PIPING LEGEND:

GW	= NEW GREASE PIPING
ES	= EXIST. SEWER PIPING
EW	= NEW TEMPERED WATER PIPING
ECW	= EXIST. GREASE WASTE PIPING
EHW	= EXIST. HOT WATER PIPING
ECW	= EXIST. COLD WATER PIPING
EHW	= EXIST. HOT WATER PIPING
NC	= NEW NATURAL GAS PIPING
ENG	= EXIST. N.G. PIPING
VPE	= EXIST. VENT PIPING
X	= PIPING TO BE ABANDONED. SEE DEMOLITION NOTES SHEET PDS.1

REFERENCE DETAILS:

PDS-1, 2, 3A, 35, 7, 16A, 16B, 21, 23, 25, 55, PDS-1, 2

POINT OF CONNECTION

POINT OF CONNECTION FOR NEW PIPING. CONNECT NEW PIPING TO EXISTING PIPING. OCCURRING IN WALLS IN UTILITY BEFORE FINISHING.

JGC
John G. Cripe
 Consulting Engineer

205 BRIDLE LANE, SUITE 111
 BRIDLEWOOD, TENNESSEE 37022
 PHONE: (615) 588-5248 FAX: (615) 247-0210
 DESIGN BY: JGC DRAWN BY: JGC CHECKED BY: JGC

D&E DOLLAR & FLOWERS

ARCHITECTURE, INC.

11500 J. Edgar Hoover Blvd., Suite 100
 Knoxville, TN 37922
 Phone: 615-545-1111 Fax: 615-673-9028
 Website: www.dollarflowers.com

REGISTERED PROFESSIONAL ENGINEER
 STATE OF TENNESSEE
 NO. 77261
 MATTHEW G. CRIPES

17248 - Kroger 414, GA

NO. REVISIONS

A With-in-the-Walls Remodel for:

KROGER STORE #GA-414
 4355 WASHINGTON ROAD, EVANS, GEORGIA 30809

PLUMBING DETAILS

COPYRIGHT

ALL DRAWINGS, SPECIFICATIONS AND COPIES THEREOF ARE THE PROPERTY OF D&E DOLLAR & FLOWERS ARCHITECTURE, INC. AND SHALL BE KEPT IN CONFIDENCE. NO PART OF THIS DRAWING OR SPECIFICATION SHALL BE REPRODUCED OR TRANSMITTED IN ANY FORM OR BY ANY MEANS, ELECTRONIC OR MECHANICAL, INCLUDING PHOTOCOPYING, RECORDING, OR BY ANY INFORMATION STORAGE AND RETRIEVAL SYSTEM, WITHOUT THE EXPRESS WRITTEN PERMISSION OF D&E DOLLAR & FLOWERS ARCHITECTURE, INC. THIS DRAWING IS THE PROPERTY OF D&E DOLLAR & FLOWERS ARCHITECTURE, INC. AND IS TO BE KEPT IN CONFIDENCE. IT IS TO BE USED ONLY FOR THE PROJECT AND SITE SPECIFICALLY IDENTIFIED HEREON. IT IS NOT TO BE REPRODUCED OR TRANSMITTED IN ANY FORM OR BY ANY MEANS, ELECTRONIC OR MECHANICAL, INCLUDING PHOTOCOPYING, RECORDING, OR BY ANY INFORMATION STORAGE AND RETRIEVAL SYSTEM, WITHOUT THE EXPRESS WRITTEN PERMISSION OF D&E DOLLAR & FLOWERS ARCHITECTURE, INC.

COPYRIGHT

ISSUE DATE: JANUARY 29, 2017

PROJECT NO: 217156

SHEET NUMBER: P 5.1