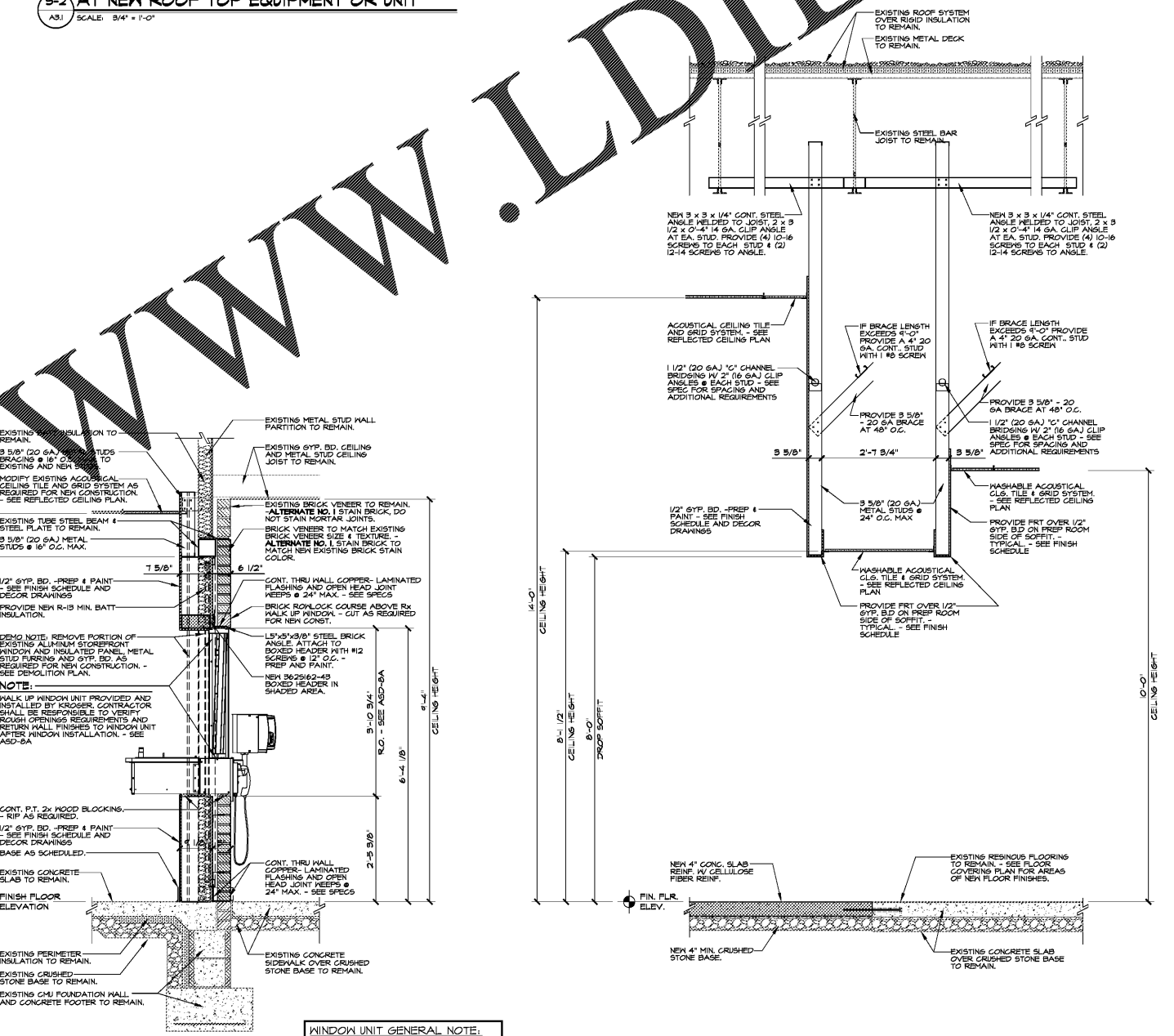
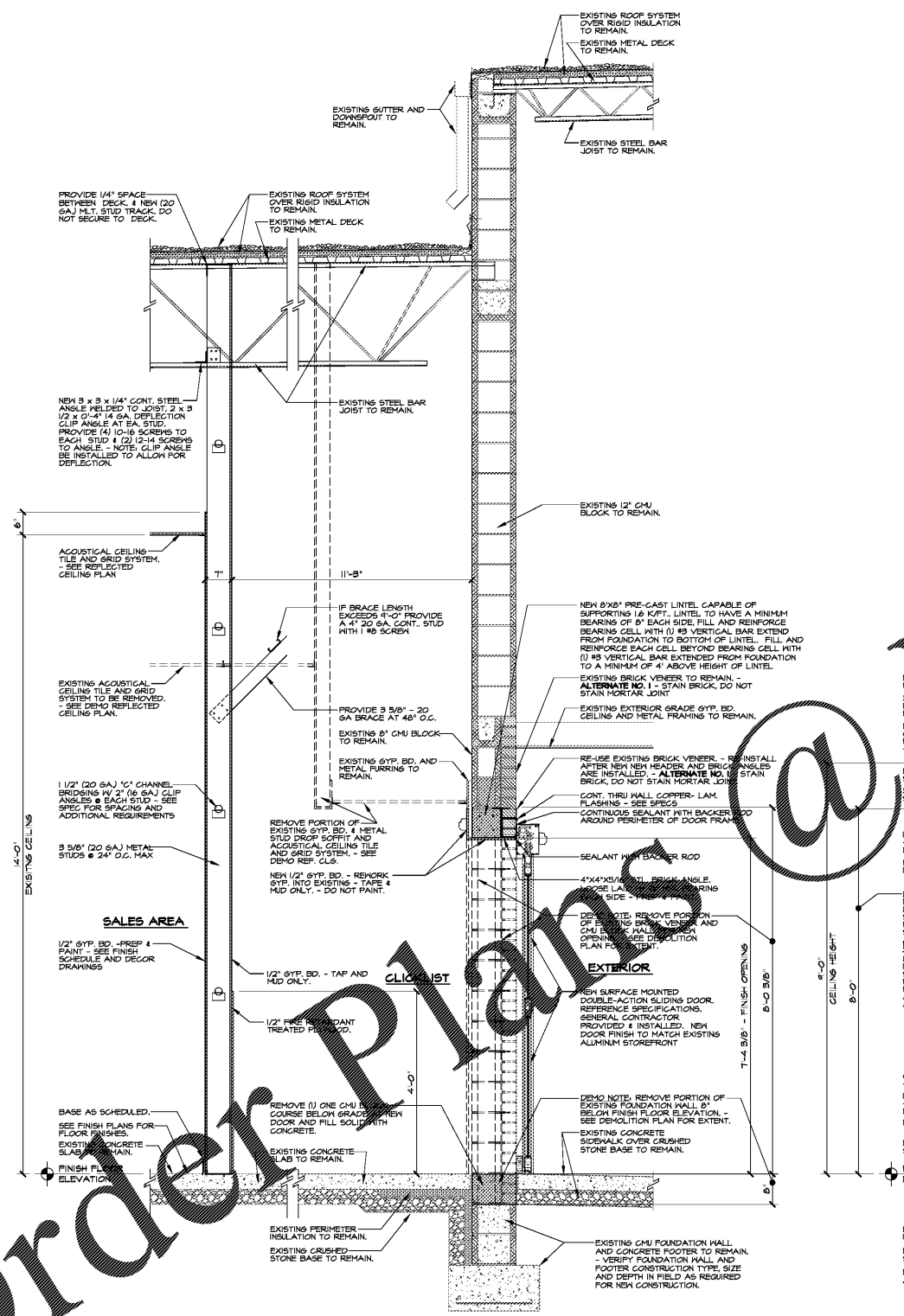
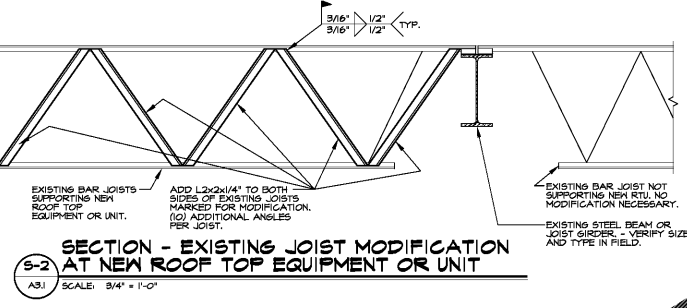
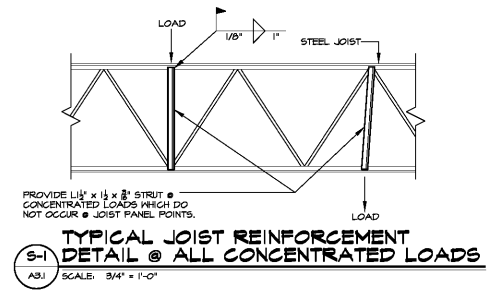


NO.	REVISIONS



Order Plans @ WWW.LDILine.com

1 WALL SECTIONS
AS1 SCALE: 3/4" = 1'-0"

2 WALL SECTIONS
AS1 SCALE: 3/4" = 1'-0"

3 WALL SECTIONS
AS1 SCALE: 3/4" = 1'-0"

EXTERIOR FINISH NOTE:
REFER TO EXTERIOR ELEVATION FOR NEW AND EXISTING EXTERIOR COLORS AND FINISHES (UNLESS NOTED OTHERWISE).

WINDOW UNIT GENERAL NOTE:
WALK UP WINDOW UNIT DIMENSION BASE ON ASD-BA. GENERAL CONTRACTOR TO VERIFY ALL REQUIRED CLEARANCES AND ROUGH OPENING SIZES WITH KROGER PM AND WALK UP WINDOW MANUFACTURE PRIOR TO START OF CONSTRUCTION.

A With-in-the-Walls Remodel for:
KROGER STORE #GA-414
4355 WASHINGTON ROAD, EVANS, GEORGIA 30809

WALL SECTIONS