

NO.	REVISIONS

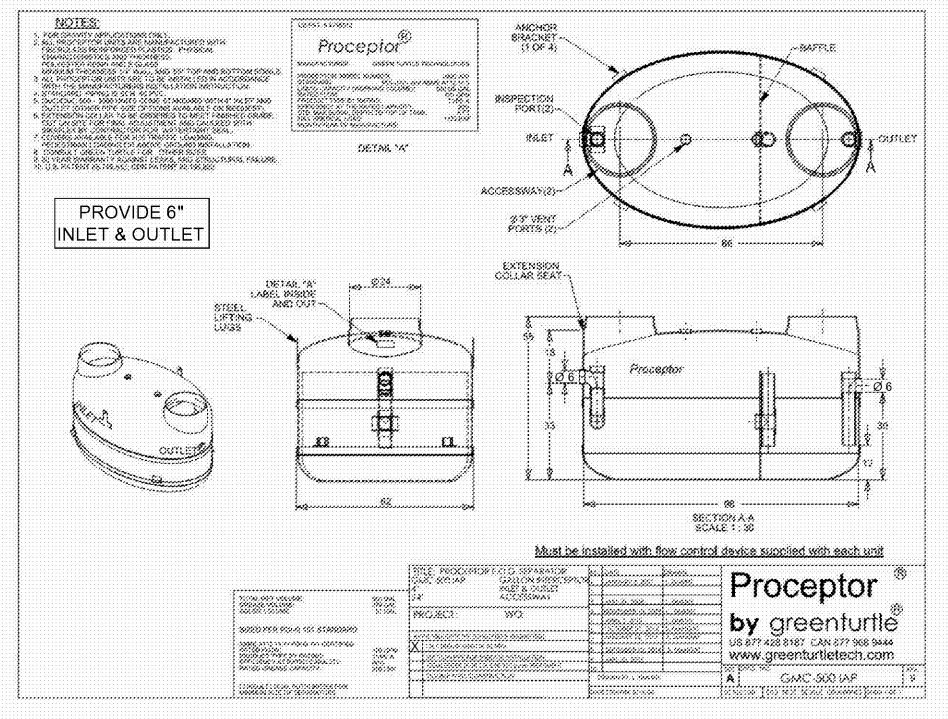
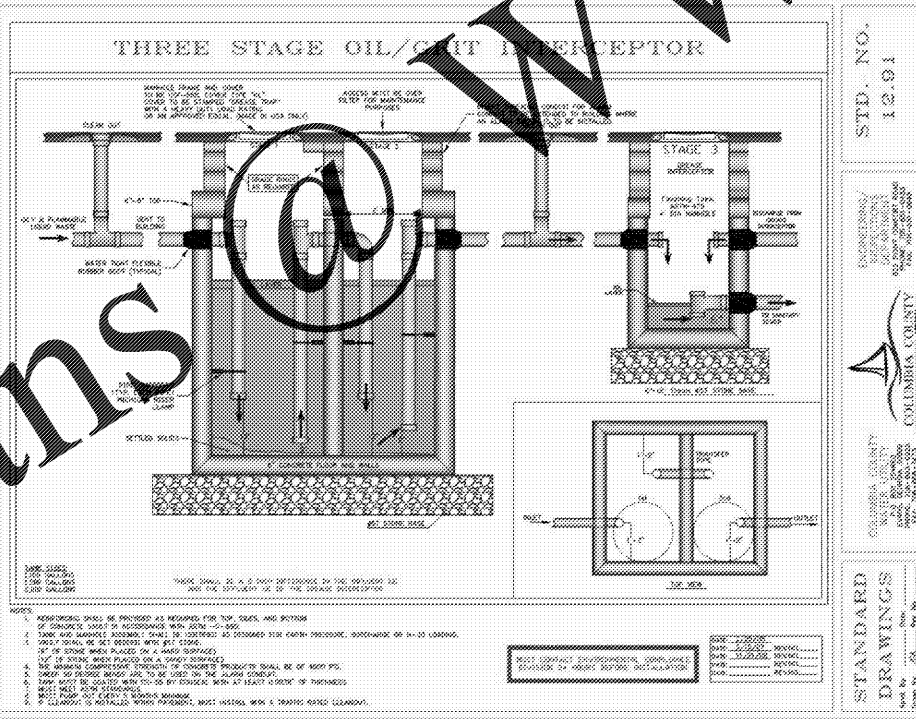
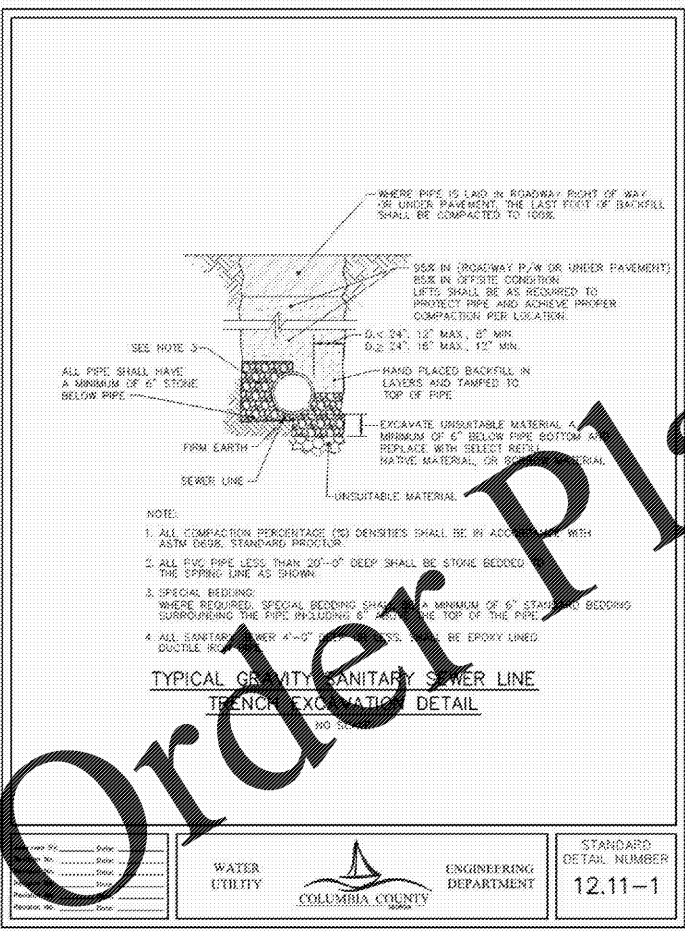
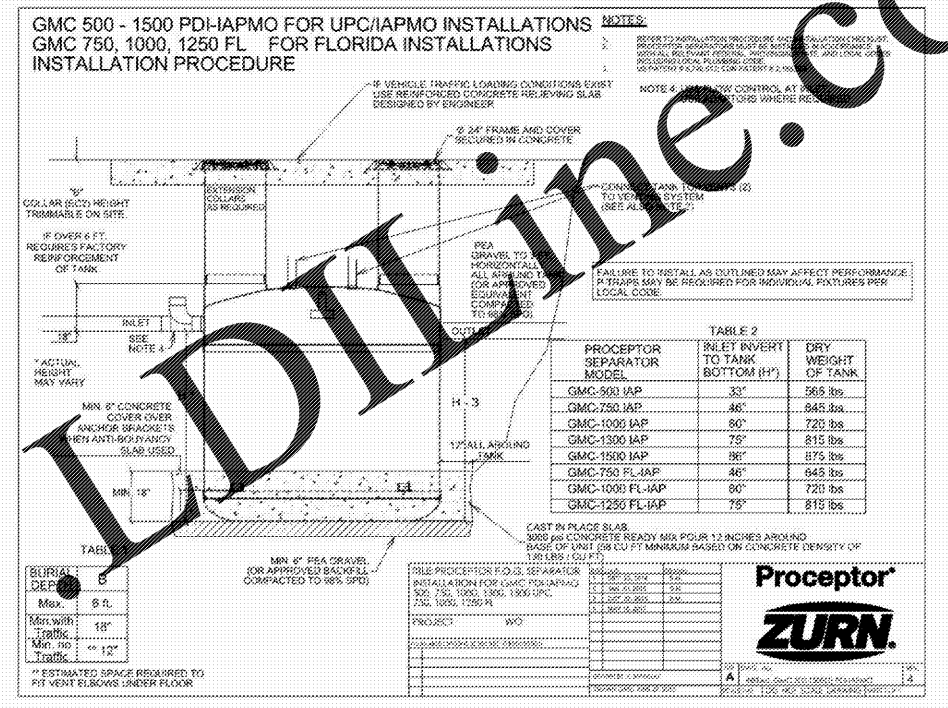
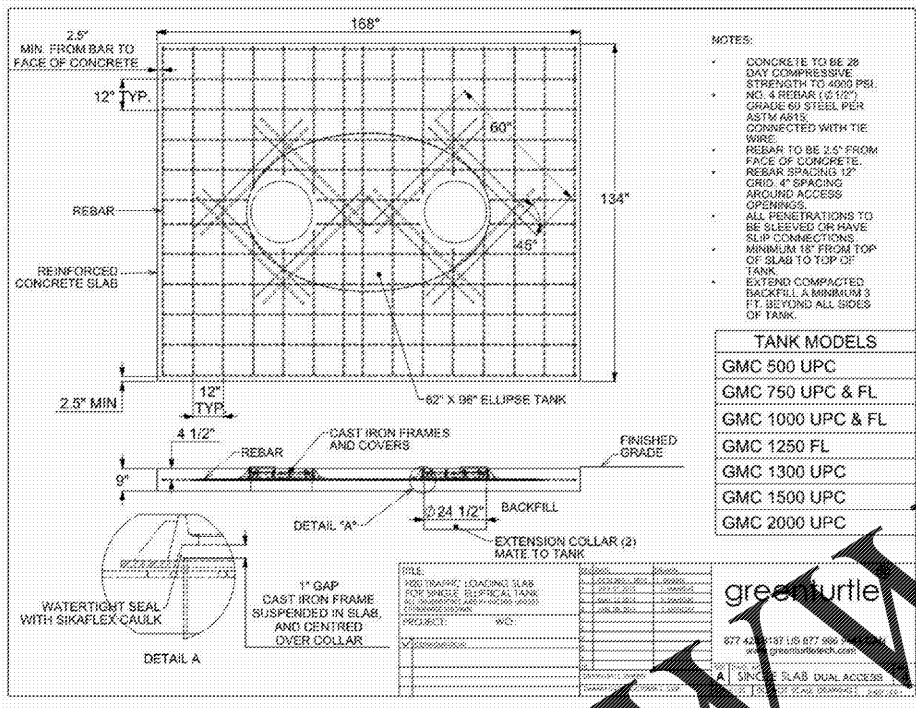
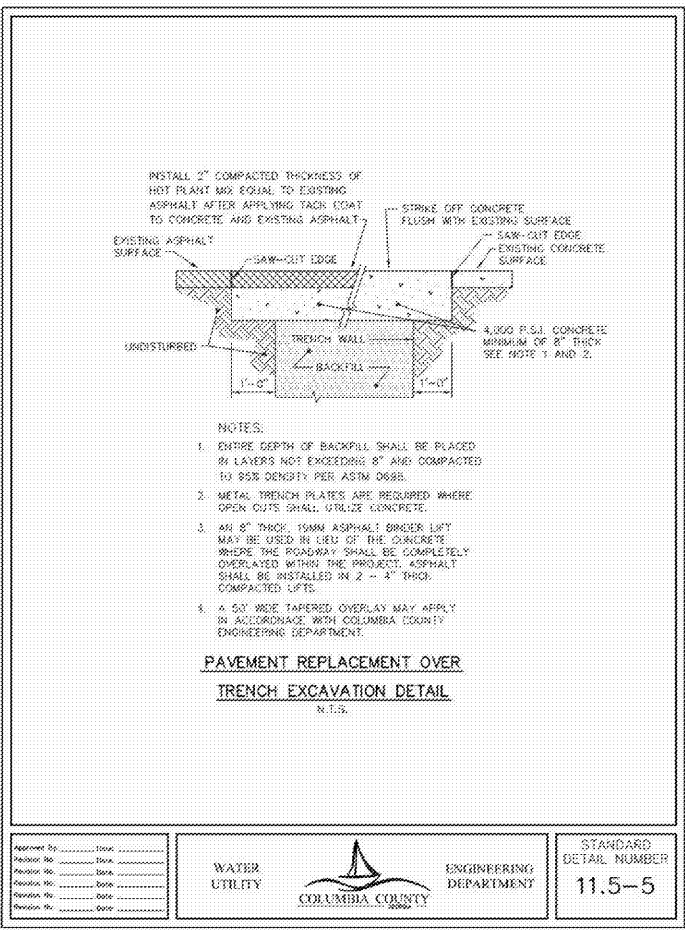
NO.	REVISIONS

A With-in-the-Walls Remodel for:  
**KROGER STORE #GA-414**  
4355 WASHINGTON ROAD, EVANS, GEORGIA 30809  
**DETAILS**

**COPYRIGHT**  
ALL DRAWINGS, SPECIFICATIONS AND COPIES THEREOF  
FURNISHED BY DOLLAR & EWERS ARCHITECTURE, INC.  
ARE AND SHALL REMAIN THE PROPERTY OF D&E, INC.  
THEY ARE TO BE USED ONLY WITH RESPECT TO THE PROJECT  
INDICATED HEREON. NO PARTS OF THESE DRAWINGS OR OTHER  
DOCUMENTS ARE TO BE REPRODUCED OR TRANSMITTED IN ANY FORM  
OR BY ANY MEANS, ELECTRONIC OR MECHANICAL, INCLUDING  
PHOTOCOPYING, RECORDING, OR BY ANY INFORMATION STORAGE  
AND RETRIEVAL SYSTEM, WITHOUT THE WRITTEN PERMISSION  
OF D&E ARCHITECTURE, INC. IN CONNECTION WITH THE PROJECT,  
IT IS NOT TO BE CONSIDERED A REPRESENTATION OF D&E ARCHITECTURE,  
INC.'S COMMON LAW COPYRIGHT OR OTHER RESERVED RIGHTS.

**COPYRIGHT**

ISSUE DATE: JANUARY 29, 2018  
PROJECT NO: PELLC # 125-228  
SHEET NUMBER: **C-5.2**



**Order Plans @ WWW.LDIDLINE.COM**