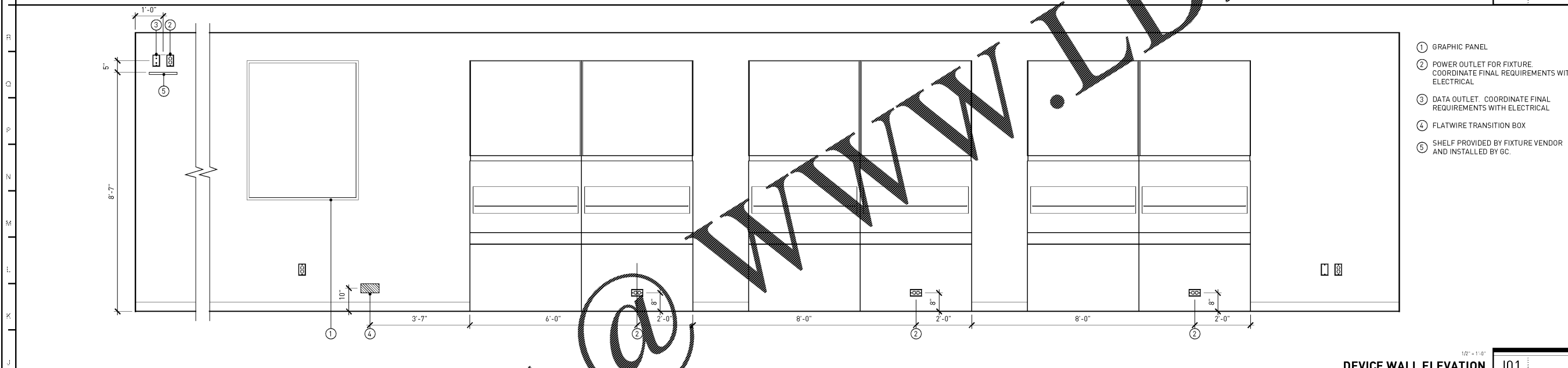
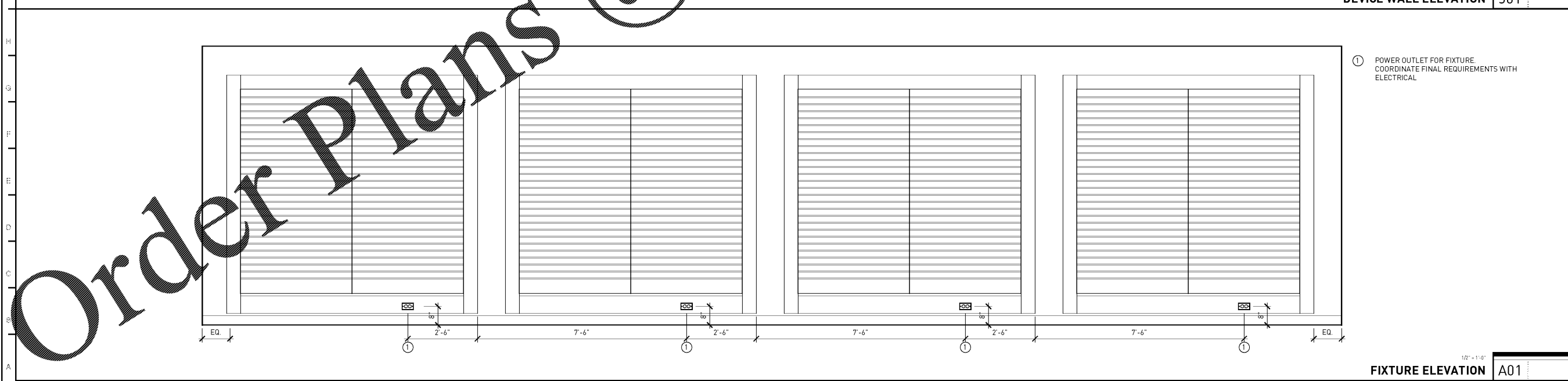


- ① ADA COMPLIANT TOILET
 - ② ADA COMPLIANT SINK, PROVIDE ADA PIPE PROTECTION ON ALL SUPPLY AND DRAIN LINES
 - ③ TOILET TISSUE DISPENSER, #B-686
 - ④ GRAB BAR, 42" LONG, #B-6806 x 42
 - ⑤ GRAB BAR, 36" LONG, #B-6806 x 36
 - ⑥ MIRROR, #B-293 1836
 - ⑦ PAPER TOWEL DISPENSER, 6" X 18" PACK ENMOTION AUTOMATED TOUCHLESS TOWEL DISPENSER #59462 - TRANSLUCENT SMOKE
 - ⑧ SOAP DISPENSER, #B-211
 - ⑨ NAPKIN DISPENSER (WOMEN'S RESTROOM ONLY), #B-270
 - ⑩ SEWAGE COVER DISPENSER, #B-221
 - ⑪ COAT HOOK #B-233
 - ⑫ GRAB BAR 18" LONG #B-6806 x 18
 - ⑬ MUDO PRODUCTS OR EQUAL FRP LINER PANELS TO 48" A.F.F. COLOR: WHITE. SEALANT AT ALL EDGES
 - ⑭ MOP SINK, REFERENCE PLUMBING
- ALL ACCESSORIES BY BOBRICK OR EQUAL
- PROVIDE FIRE RETARDANT BLOCKING AS REQUIRED FOR TOILET ACCESSORIES INSTALLATION.



- ① GRAPHIC PANEL
- ② POWER OUTLET FOR FIXTURE. COORDINATE FINAL REQUIREMENTS WITH ELECTRICAL
- ③ DATA OUTLET. COORDINATE FINAL REQUIREMENTS WITH ELECTRICAL
- ④ FLATWIRE TRANSITION BOX
- ⑤ SHELF PROVIDED BY FIXTURE VENDOR AND INSTALLED BY GC.



- ① POWER OUTLET FOR FIXTURE. COORDINATE FINAL REQUIREMENTS WITH ELECTRICAL



2000 SHAWNEE MISSION PARKWAY
 STE 100 MISSION WOODS, KS 66205
 TEL 816 502 1500 FAX 816 842 1878

Sprint

#1641 WHITEHAVEN PLAZA
 4088 ELVIS PRESLEY BLVD.
 SUITE 104
 MEMPHIS, TENNESSEE 38116

MATTHEW MASLIONS - ARCHITECT
 TENNESSEE # 102603

I have prepared the drawings and assume responsibility for the sheets numbered with an "A" prefix for the project named below.
 Other drawings and specifications attached for the above-mentioned project have been by and are the responsibility of the licensed engineer whose stamp and firm appear on that sheet.
 The architect is not responsible for the design of the mechanical, electrical, plumbing, civil, landscaping, structural, signage (not specified), fire sprinkler or fire suppression systems, and does not take responsibility for the compliance of these areas with the laws of the above governmental entities. The architect is not responsible for materials, components or equipment, as well as the method in which they are installed on the project by others. The architect is not held or responsible for certification, during construction or upon completion of construction. The architect is not responsible for improper operation due to faulty installation or product failure during construction or after completion of construction when operation has begun by the landlord or tenant.
 The licensed professional whose stamp appears on sheets other than those specifically noted above shall be responsible for those items in paragraph three.

NO.	DATE	DESCRIPTION

SHEET TITLE:
INTERIOR ELEVATIONS

PROJECT NUMBER:
 2017014056

SHEET AUTHOR:
 RM

CHECKED BY:
 RB

DATE:
 JANUARY 5, 2017

SHEET NUMBER:
A22

RMTA.BIZ

Order Plans @ WWW.LDMLINE.COM