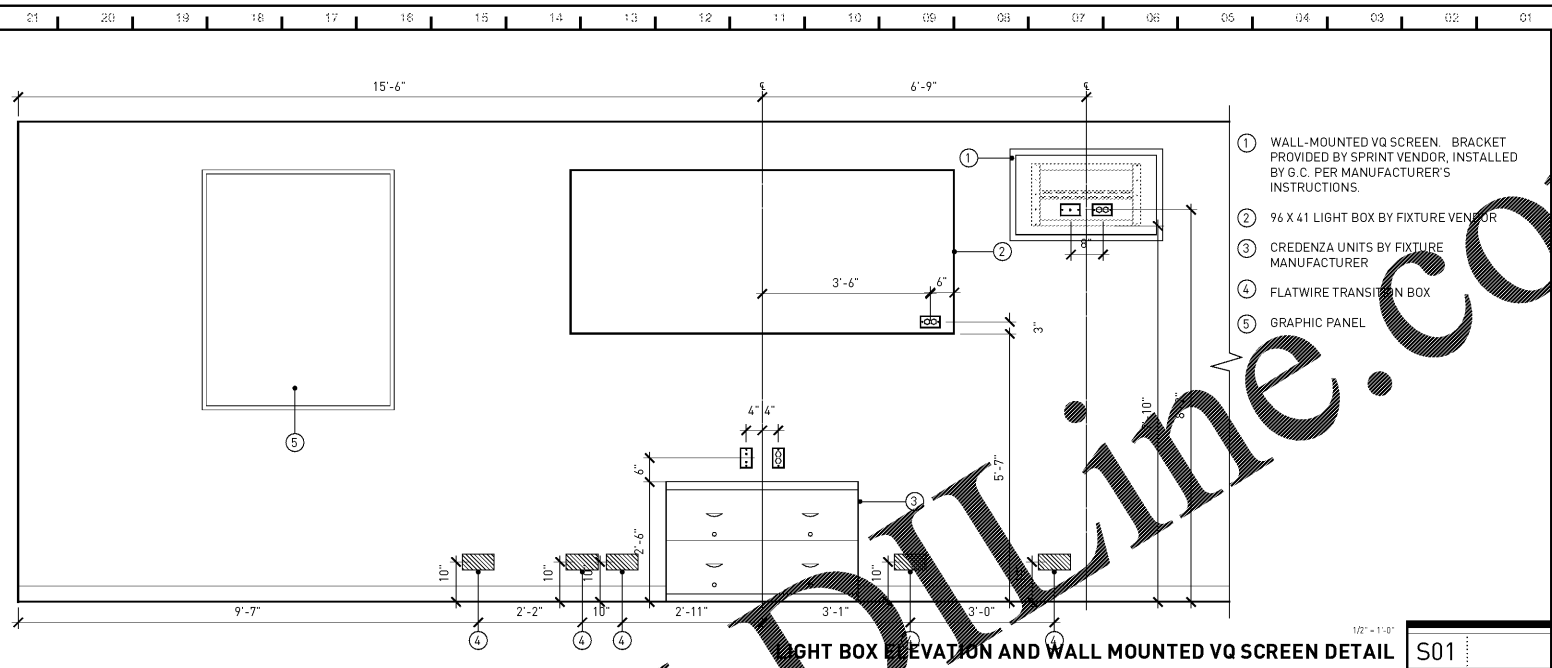


- 1 3/5/8", 18 GA. METAL STUD FRAMING BRACED TO STRUCTURE AS REQUIRED
- 2 3/4" FIRE RETARDANT PLYWOOD
- 3 WINDOW DISPLAY FIXTURE
- 4 FASTENERS AND PLATE BY FIXTURE MANUFACTURER
- 5 JUNCTION BOX FOR FIXTURE POWER
- 6 CEILING, SEE PLAN

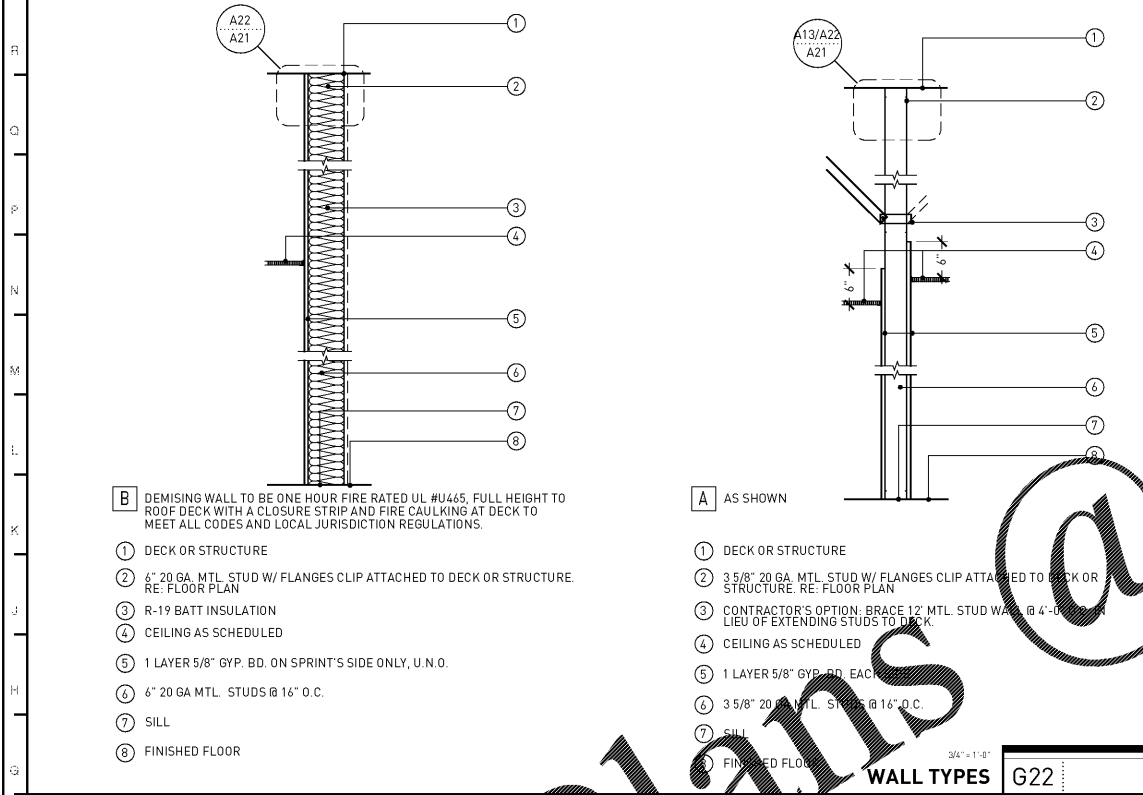
COORDINATE THIS DETAIL WITH ROLLING GATE DETAIL AS REQUIRED

ABOVE CEILING ATTACHMENT DETAIL S22



- 1 WALL-MOUNTED VQ SCREEN BRACKET PROVIDED BY SPRINT VENDOR, INSTALLED BY G.C. PER MANUFACTURER'S INSTRUCTIONS.
- 2 96 X 41 LIGHT BOX BY FIXTURE VENDOR
- 3 CRENZEA UNITS BY FIXTURE MANUFACTURER
- 4 FLATWIRE TRANSITION BOX
- 5 GRAPHIC PANEL

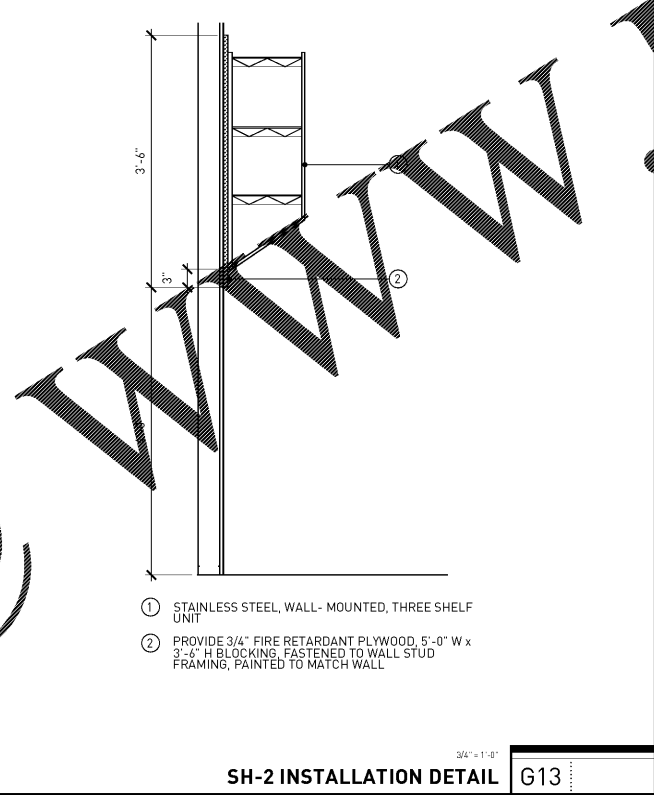
LIGHT BOX ELEVATION AND WALL MOUNTED VQ SCREEN DETAIL S01



- B** DEMISING WALL TO BE ONE HOUR FIRE RATED UL #445, FULL HEIGHT TO ROOF DECK WITH A CLOSURE STRIP AND FIRE CAULKING AT DECK TO MEET ALL CODES AND LOCAL JURISDICTION REGULATIONS.
- 1 DECK OR STRUCTURE
  - 2 6" 20 GA. MTL. STUD W/ FLANGES CLIP ATTACHED TO DECK OR STRUCTURE. RE: FLOOR PLAN
  - 3 R-19 BATT INSULATION
  - 4 CEILING AS SCHEDULED
  - 5 1 LAYER 5/8" GYP. BD. ON SPRINT'S SIDE ONLY, U. N. O.
  - 6 6" 20 GA MTL. STUDS @ 16" O.C.
  - 7 SILL
  - 8 FINISHED FLOOR

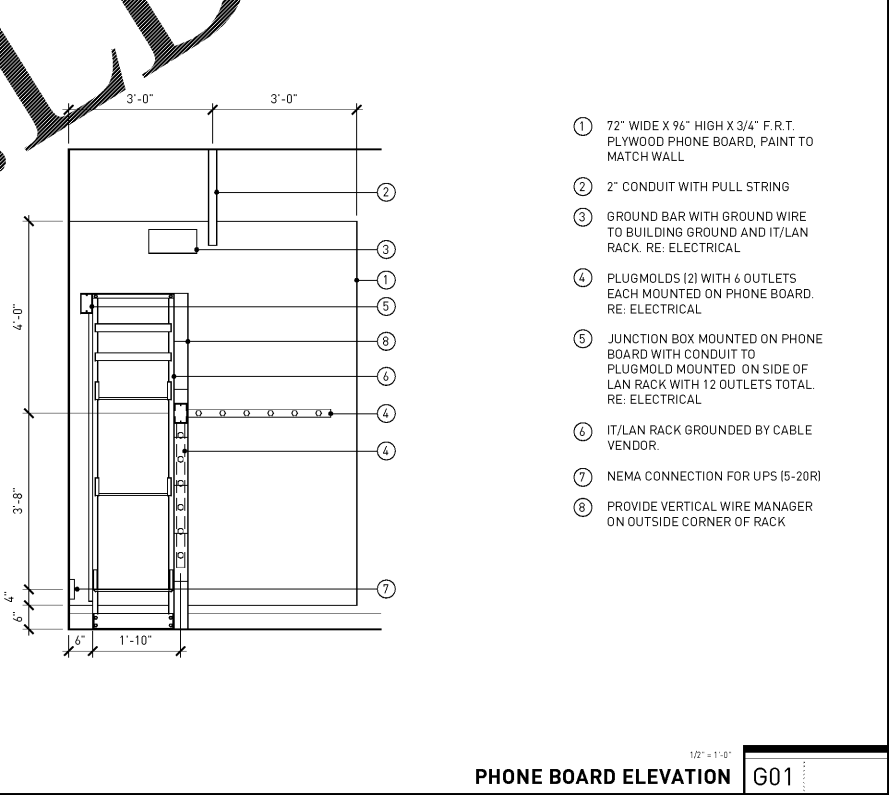
- A** AS SHOWN
- 1 DECK OR STRUCTURE
  - 2 3/5/8" 20 GA. MTL. STUD W/ FLANGES CLIP ATTACHED TO DECK OR STRUCTURE. RE: FLOOR PLAN
  - 3 CONTRACTOR'S OPTION: BRACE 12" MTL. STUD WALL @ 4'-0" LIEU OF EXTENDING STUDS TO DECK.
  - 4 CEILING AS SCHEDULED
  - 5 1 LAYER 5/8" GYP. BD. EACH
  - 6 3/5/8" 20 GA. MTL. STUDS @ 16" O.C.
  - 7 SILL
  - 8 FINISHED FLOOR

WALL TYPES G22



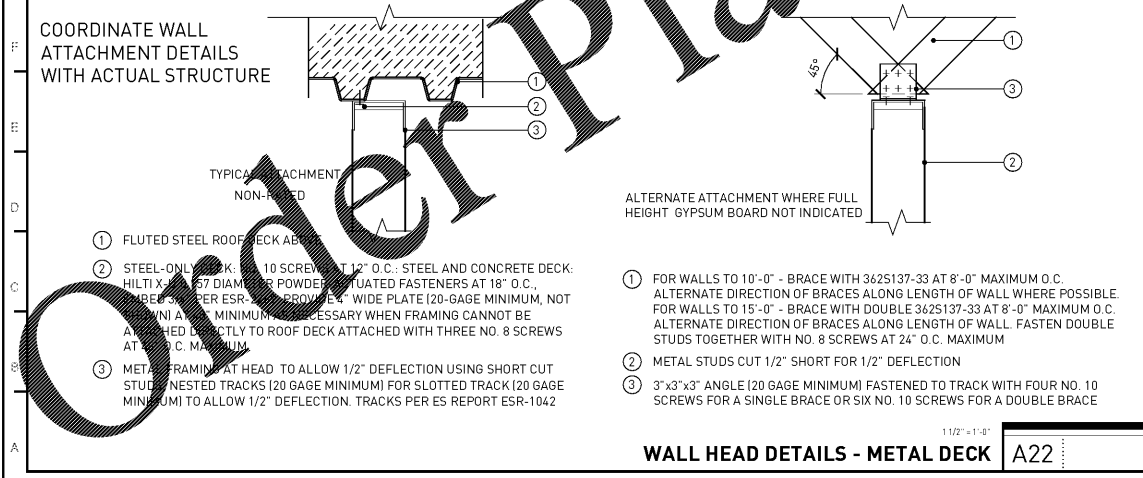
- 1 STAINLESS STEEL, WALL-MOUNTED, THREE SHELF UNIT
- 2 PROVIDE 3/4" FIRE RETARDANT PLYWOOD, 5'-0" W X 3'-6" H BLOCKING, FASTENED TO WALL STUD FRAMING, PAINTED TO MATCH WALL

SH-2 INSTALLATION DETAIL G13



- 1 72" WIDE X 96" HIGH X 3/4" F.R.T. PLYWOOD PHONE BOARD, PAINT TO MATCH WALL
- 2 2" CONDUIT WITH PULL STRING
- 3 GROUND BAR WITH GROUND WIRE TO BUILDING GROUND AND IT/LAN RACK. RE: ELECTRICAL
- 4 PLUGMOLDS (2) WITH 4 OUTLETS EACH MOUNTED ON PHONE BOARD. RE: ELECTRICAL
- 5 JUNCTION BOX MOUNTED ON PHONE BOARD WITH CONDUIT TO PLUGMOLD MOUNTED ON SIDE OF LAN RACK WITH 12 OUTLETS TOTAL. RE: ELECTRICAL
- 6 IT/LAN RACK GROUNDED BY CABLE VENDOR.
- 7 NEMA CONNECTION FOR UPS (5-20R)
- 8 PROVIDE VERTICAL WIRE MANAGER ON OUTSIDE CORNER OF RACK

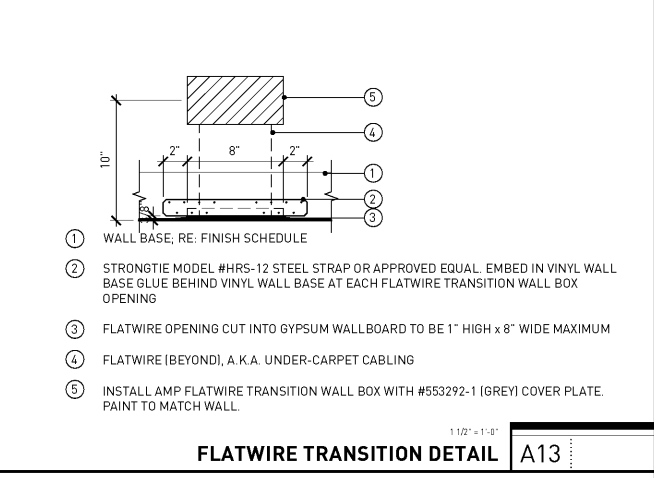
PHONE BOARD ELEVATION G01



- A** COORDINATE WALL ATTACHMENT DETAILS WITH ACTUAL STRUCTURE
- 1 FLUTED STEEL ROOF DECK ABOVE
  - 2 STEEL-ONLY DECK: 10 SCREWS @ 12" O.C.; STEEL AND CONCRETE DECK: HILTI X 3/8" DIA. ANCHOR POWDER COATED FASTENERS AT 18" O.C. MINIMUM. 4" WIDE PLATE (20-GAGE MINIMUM, NOT NECESSARY WHEN FRAMING CANNOT BE ATTACHED DIRECTLY TO ROOF DECK ATTACHED WITH THREE NO. 8 SCREWS AT 9" O.C. MAXIMUM.
  - 3 METAL FRAMING AT HEAD TO ALLOW 1/2" DEFLECTION USING SHORT CUT STUDS IN NESTED TRACKS (20 GAGE MINIMUM) FOR SLOTTED TRACK (20 GAGE MINIMUM) TO ALLOW 1/2" DEFLECTION. TRACKS PER ES REPORT ESR-1042

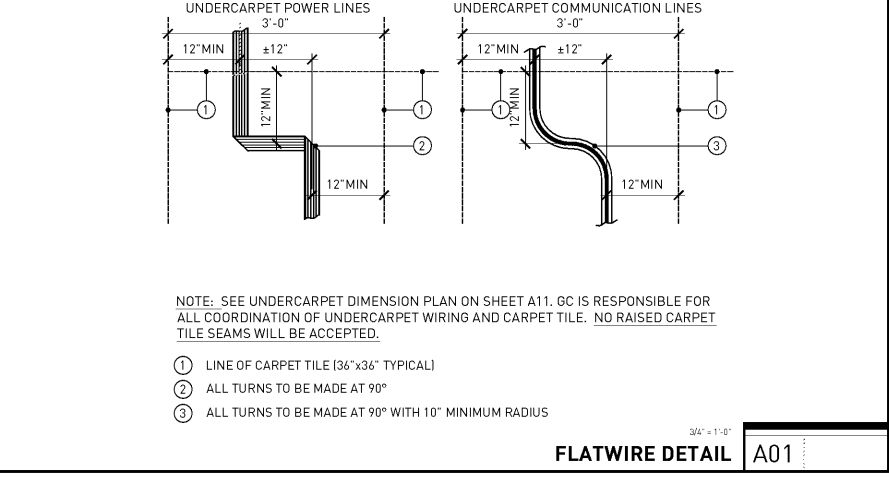
- B** ALTERNATE ATTACHMENT WHERE FULL HEIGHT GYPSUM BOARD NOT INDICATED
- 1 FOR WALLS TO 10'-0" - BRACE WITH 3625137-33 AT 8'-0" MAXIMUM O.C. ALTERNATE DIRECTION OF BRACES ALONG LENGTH OF WALL WHERE POSSIBLE. FOR WALLS TO 15'-0" - BRACE WITH DOUBLE 3625137-33 AT 8'-0" MAXIMUM O.C. ALTERNATE DIRECTION OF BRACES ALONG LENGTH OF WALL. FASTEN DOUBLE STUDS TOGETHER WITH NO. 8 SCREWS AT 24" O.C. MAXIMUM
  - 2 METAL STUDS CUT 1/2" SHORT FOR 1/2" DEFLECTION
  - 3 3"x3"x3" ANGLE (20 GAGE MINIMUM) FASTENED TO TRACK WITH FOUR NO. 10 SCREWS FOR A SINGLE BRACE OR SIX NO. 10 SCREWS FOR A DOUBLE BRACE

WALL HEAD DETAILS - METAL DECK A22



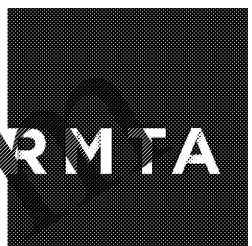
- 1 WALL BASE, RE: FINISH SCHEDULE
- 2 STRONGTIE MODEL #HRS-12 STEEL STRAP OR APPROVED EQUAL. EMBED IN VINYL WALL BASE GLUE BEHIND VINYL WALL BASE AT EACH FLATWIRE TRANSITION WALL BOX OPENING
- 3 FLATWIRE OPENING CUT INTO GYPSUM WALLBOARD TO BE 1" HIGH X 8" WIDE MAXIMUM
- 4 FLATWIRE (BEYOND), A.K.A. UNDER-CARPET CABLING
- 5 INSTALL AMP FLATWIRE TRANSITION WALL BOX WITH #553292-1 (GREY) COVER PLATE. PAINT TO MATCH WALL.

FLATWIRE TRANSITION DETAIL A13



- NOTE: SEE UNDERCARPET DIMENSION PLAN ON SHEET A11. GC IS RESPONSIBLE FOR ALL COORDINATION OF UNDERCARPET WIRING AND CARPET TILE. NO RAISED CARPET TILE SEAMS WILL BE ACCEPTED.
- 1 LINE OF CARPET TILE (36"x36" TYPICAL)
  - 2 ALL TURNS TO BE MADE AT 90°
  - 3 ALL TURNS TO BE MADE AT 90° WITH 10" MINIMUM RADIUS

FLATWIRE DETAIL A01



2000 SHAWNEE MISSION PARKWAY  
STE 100 MISSION WOODS, KS 66205  
TEL 816 502 1500 FAX 816 842 1878

**Sprint**

#1641 WHITEHAVEN PLAZA  
4088 ELVIS PRESLEY BLVD.  
SUITE 104  
MEMPHIS, TENNESSEE 38116

MATTHEW MASLIONS - ARCHITECT  
TENNESSEE # 102603

I have prepared the drawings and assume responsibility for the sheets numbered with an "A" prefix for the project named below.  
Other drawings and specifications attached for the above-mentioned project have been by and are the responsibility of the licensed engineer whose stamp and firm appear on that sheet.  
The architect is not responsible for the design of the mechanical, electrical, plumbing, civil, landscaping, structural, signage (not specified), fire sprinkler or fire suppression systems, and does not take responsibility for the compliance of these areas with the laws of the above governmental entities. The architect is not responsible for materials, components or equipment, as well as the method in which they are installed on the project by others. The architect is not held or responsible for certification, during construction or upon completion of construction. The architect is not responsible for improper operation due to faulty installation or product failure during construction or after completion of construction when operation has begun by the landlord or tenant.  
The licensed professional whose stamp appears on sheets other than those specifically noted above shall be responsible for those items in paragraph three.

DATE	DESIGN	DATE

SHEET TITLE  
DETAILS

PROJECT NUMBER  
2017014066  
SHEET AUTHOR  
RM  
CHECKED BY  
RB  
DATE  
JANUARY 5, 2017

SHEET NUMBER  
**A21**  
RMTA.BIZ