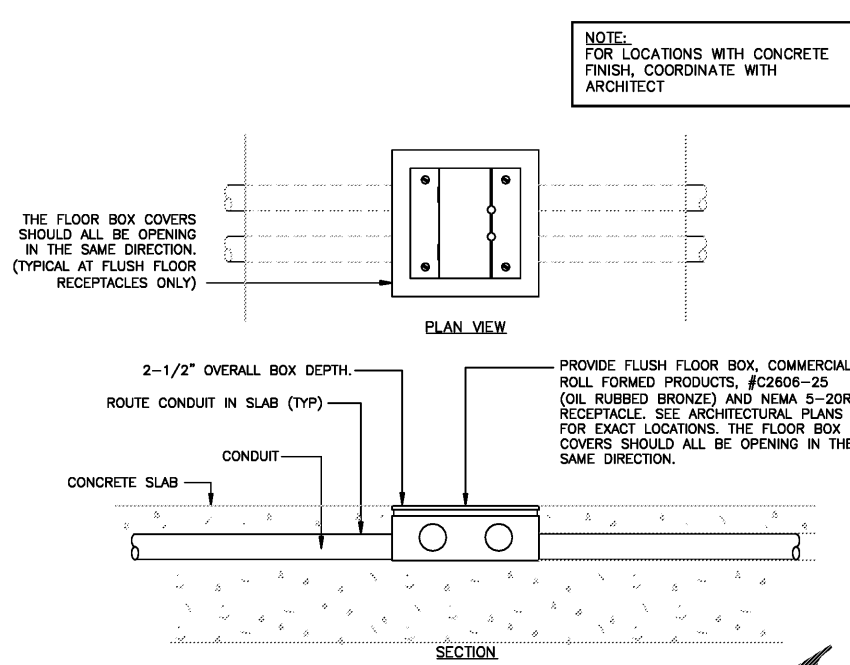
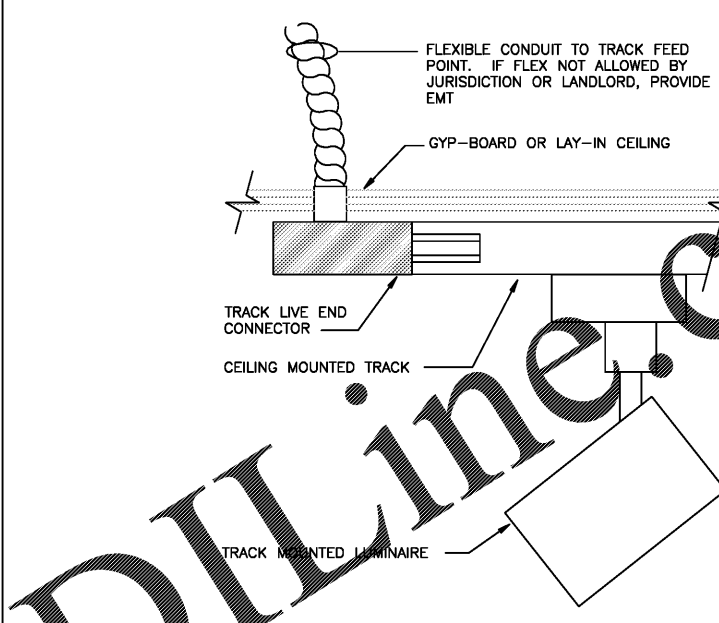


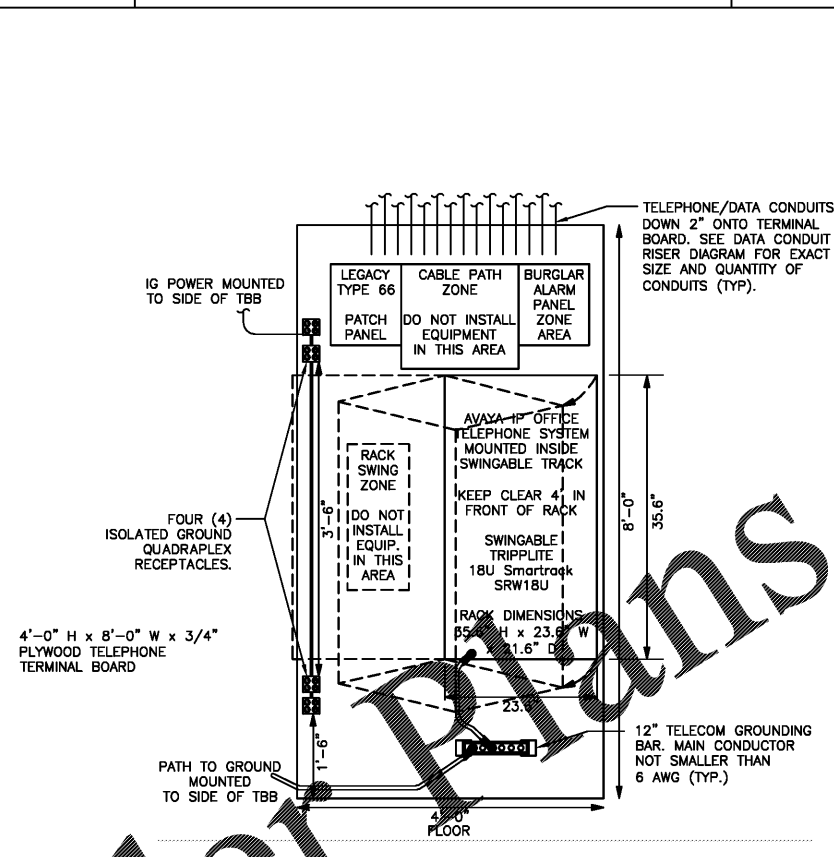
EMERGENCY LIGHT SUPPORT 5 NOT TO SCALE



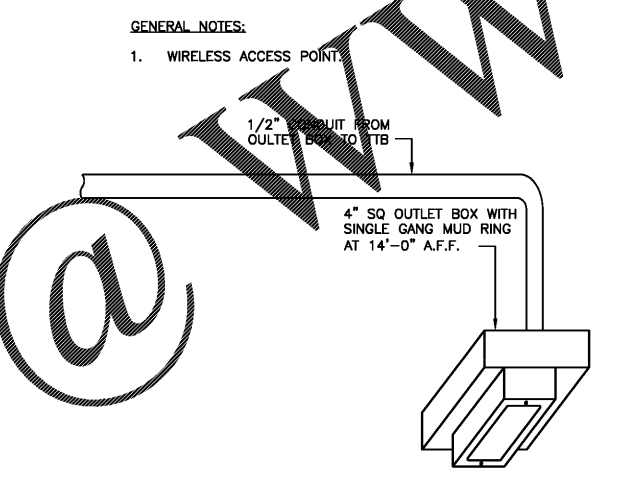
TYPICAL FLOOR BOX AND CONDUIT DETAIL 1 NOT TO SCALE



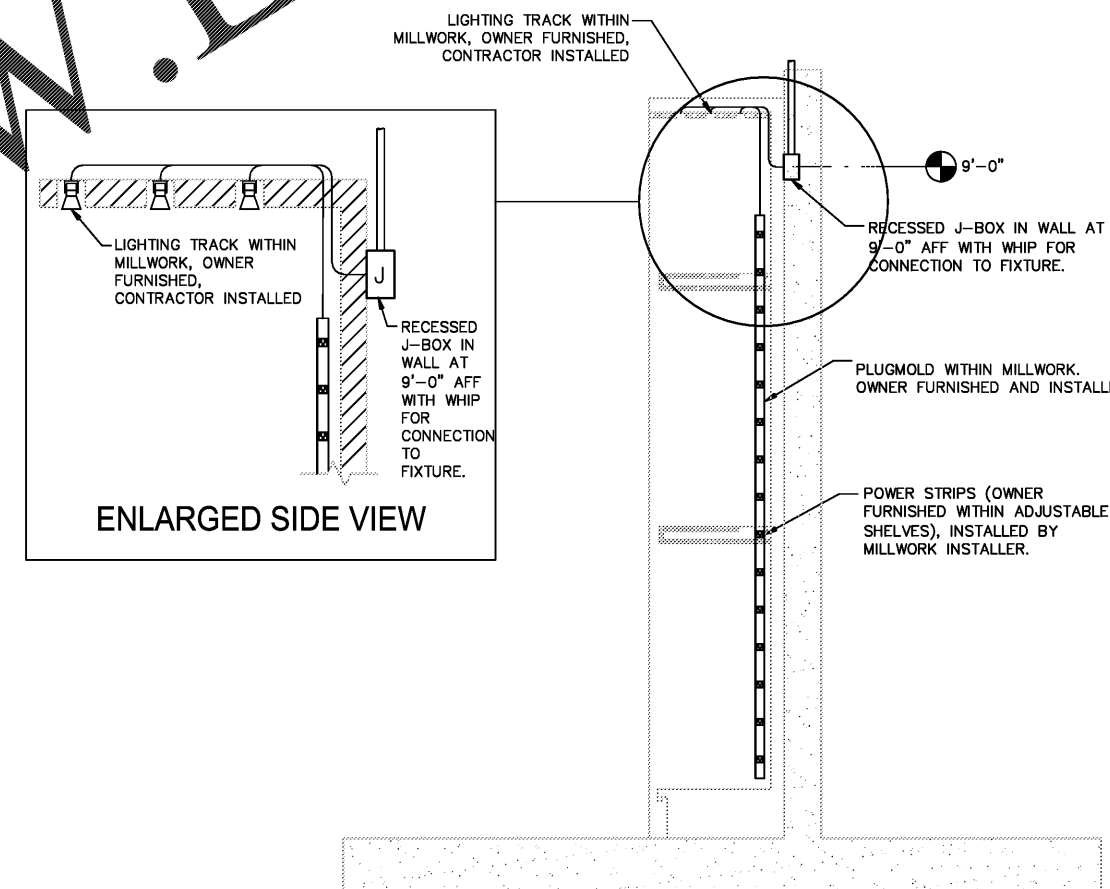
TRACK POWER FEED DETAIL 2 NOT TO SCALE



TELEPHONE TERMINAL BOARD ELEVATION 6 NOT TO SCALE



SALES FLOOR WIRELESS ACCESS POINT BACKBOARD 4 NOT TO SCALE



LIGHTING GALLERY MOUNTING DETAIL 3 NOT TO SCALE

OWNER:
WILLIAMS-SONOMA, INC.
 3250 Van Ness Avenue
 San Francisco, CA 94109
 T 415 616 8602
 F 415 439 8164
 www.williams-sonoma.com

EEA
 EEA Consulting Engineers
 6615 Vaught Ranch Road, Suite 100
 Austin, Texas 78730-2314 USA
 512.744.4400 main 512.744.4444 fax
 www.eeace.com
 State of Registration VIRGINIA
 Firm Registration No. 0407 004734
 EEA Project No. 20166524

DRAWN BY: BMW
 CHECKED BY: SAH

BID DOCUMENT ONLY
 Not Intended for Construction or Permit
 This document is released under the
 authority of:
 Registrant's Name: SARA A. HAMILL
 Serial No. 0402052431

P O T T E R Y B A R R I
WILLIAMS-SONOMA
 Town Center Virginia Beach
 173/177 Central Park Avenue
 Virginia Beach, VA 23462
 PROJECT #006-151817-00/#006-151412-00

ISSUED / REVISED	DATE
FEASIBILITY SET	08/10/17
PRELIMINARY SET	09/28/17
LL CD SET	11/30/17
PERMIT SET	12/18/17
BID SET	01/04/18

Order Plans