

Order Plans @ www.LDILine.com

OWNER:
WILLIAMS-SONOMA, INC.
3250 Van Ness Avenue
San Francisco, CA 94109
T 415 616 8602
F 415 439 8164
www.williams-sonomainc.com



EEA Consulting Engineers
6615 Vaught Ranch Road, Suite 100
Austin, Texas 78730-2314 USA
512.744.4400 main 512.744.4444 fax
www.eeace.com

State of Registration VIRGINIA
Firm Registration No. 0407 004734
EEA Project No. 20166524

DRAWN BY: BMW
CHECKED BY: SAH

BID DOCUMENT ONLY

Not Intended for Construction or Permit
This document is released under the
authority of:

Registrant's Name: SARA A. HAMILL
Serial No. 0402052431

SOUND SYSTEM DETAILS

- SEE DETAIL #1 AND 2 ON SHEET E-205. SEE DETAILS #4 AND 6 ON SHEET E-204.
- VERIFY THE SPEAKER WIRING WITH SPEAKER VENDOR (MOOD:SYSTEMS) BEFORE INSTALLATION.

SOUND SYSTEM NOTES:

GENERAL SHEET NOTES:

- USE SUPPLIED 2 GA WHITE JACKET CABLE OR EQUIV FOR ALL SPEAKER RUNS AS INDICATED ON PLAN.
- USE SUPPLIED SPEAKER CABLE FOR MUSIC CONTROL.
- USE CABLE CABLE FOR VOLUME CONTROL.
- ALL SPEAKER RUNS TO AUDIO EQUIPMENT RACK MADE PER LOCATION.
- AUDIO EQUIPMENT TO BE INSTALLED IN VENTILATED EQUIPMENT RACK LOCATED PER SPECIFICATIONS.
- IT IS THE CONTRACTOR'S RESPONSIBILITY FOR ALL WIRING AND SPEAKER INSTALLATION.
- CONTRACTOR IS RESPONSIBLE FOR SUPPLYING ALL WIRING RACKS, RACK CANS, AND RECEIVERS AND SPEAKERS, ALSO RESPONSIBLE FOR INSTALLATION OF AUDIO EQUIPMENT RACK, AND CONNECTION OF ALL HOME RUNS TO AUDIO EQUIPMENT, ANGLES, SETTING OR ADJUSTING SPEAKERS, TESTS, ALIGNMENT AND TUNING OF AUDIO SYSTEMS.
- GENERAL CONTRACTOR RESPONSIBLE FOR SECURING ALL EQUIPMENT ON SITE.

DIVISION 16 CONTRACTOR RESPONSIBILITIES:

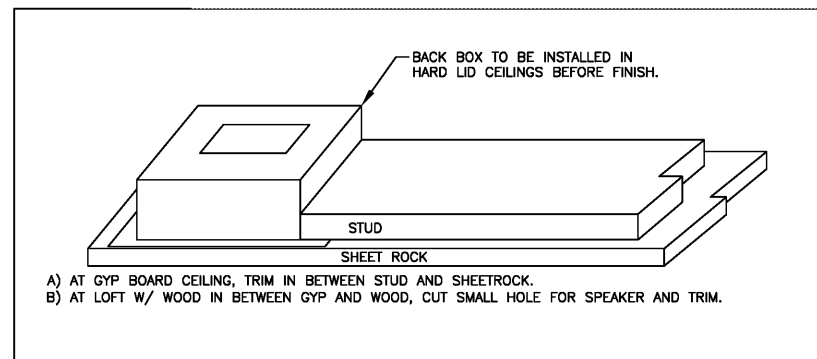
- LABEL WIRING ACCORDING TO WIRING PLAN PROVIDED BY ELECTRICAL.
- IF WIRING IS AWAY FROM TERMINALS OR PUNTS ALL WIRING SHALL BE ACCORDING TO THE WIRING PLAN. ALL WIRING SHALL BE LABELED OR MARKED OR IDENTIFICATION SHALL BE TO BE TRACKED AND IDENTIFIED BY CIRCUIT, END, AND ADDITIONAL LABELS WILL BE MADE CHANGED TO THE DIVISION CONTRACTOR AT A RATE OF \$75.00 PER HOUR.
- DIVISION 16 CONTRACTOR TO VERIFY ALL WIRING AND SPEAKERS PER LOCATION. THIS SPEAKER WIRING AND CONNECTIONS SHALL BE PER THE WIRING PLAN. CORRECT WIRING TO SPEAKER AND TO BE PER PLAN AND WIRING INSTRUCTIONS PROVIDED BY ELECTRICAL.
- ANY SPEAKERS NOT WIRING OR INCORRECTLY WIRING WILL HAVE TO BE REPAIRED BY THE DIVISION 16 CONTRACTOR. IF DIVISION 16 CONTRACTOR CANNOT REPAIR AND THE TRADE CONTRACTOR, ELECTRICAL WILL BE REPAIRED AND BACK CHARGE TO THE DIVISION 16 CONTRACTOR AT A RATE OF \$75.00 PER HOUR.
- DIVISION 16 CONTRACTOR WILL PROVIDE CATEGORY 1 CABLES FOR VOLUME CONTROLS.

GENERAL CONTRACTOR RESPONSIBILITIES:

- INSTALLATION OF AUDIO EQUIPMENT RACK BACK PER TO WALL, SHALL BE PROVIDED BY ELECTRICAL.
- SECURING ALL EQUIPMENT AND SUPPLIES ARE RESPONSIBILITY OF EQUIPMENT VENDOR. BE BACK CHARGED TO THE GENERAL CONTRACTOR.
- PROVIDING A SCHEDULE FOR THE WIRING TO ELECTRICAL.
- ENSURING THAT THE MUSIC CONTROL, WHERE HAS BEEN RUM TO CASH WIRING, SPEAKERS ARE INSTALLED, AUDIO EQUIPMENT RACK BACK PER IS INSTALLED, POWER REQUIREMENTS ARE MET. ALL THIS MUST BE COMPLETED BEFORE ELECTRICAL TECHNOLOGICALS TO INSTALL AUDIO EQUIPMENT. BE AWARE THAT IF THE TRADE CONTRACTOR FOR THE MUSIC CONTROL CONTRACTOR TO THE FINISH ABOVE THE CEILING SHALL BE RESPONSIBLE FOR THE BACK CHARGE AT A RATE OF \$75.00 PER HOUR. ADDITIONAL TRADE CHARGES WILL ALSO BE BACK CHARGED AT COST.

ELECTRICAL RESPONSIBILITIES:

- PROVIDING SPEAKER LAYOUT WITH WIRING PLAN.
- PROVIDE INSTALLATION INSTRUCTIONS.
- MANUFACTURE COMMUNICATION WITH JOB SITE TO ENSURE PROPER DELIVERY OF PRODUCTS SUPPLIED.
- TRAINING TECHNICIAN SUPPORT FOR INSTALLATION OF SYSTEMS AND SPEAKERS.
- INSTALLATION OF AUDIO EQUIPMENT AND TERMINATION OF WIRES TO EQUIPMENT.
- ALIGNMENT OF SYSTEMS THROUGHOUT STORE.



HARD CEILING SPEAKER MOUNTING DETAIL

1
NOT TO SCALE

ISSUED / REVISED	DATE
FEASIBILITY SET	08/10/17
PRELIMINARY SET	09/28/17
LL CD SET	11/30/17
PERMIT SET	12/18/17
BID SET	01/04/18

SOUND SYSTEM
E-005

PROJECT #006-151817-00/#006-151412-00
P O T E R Y B L A I N
WILLIAMS-SONOMA
 Town Center Virginia Beach
 173/177 Central Park Avenue
 Virginia Beach, VA 23462