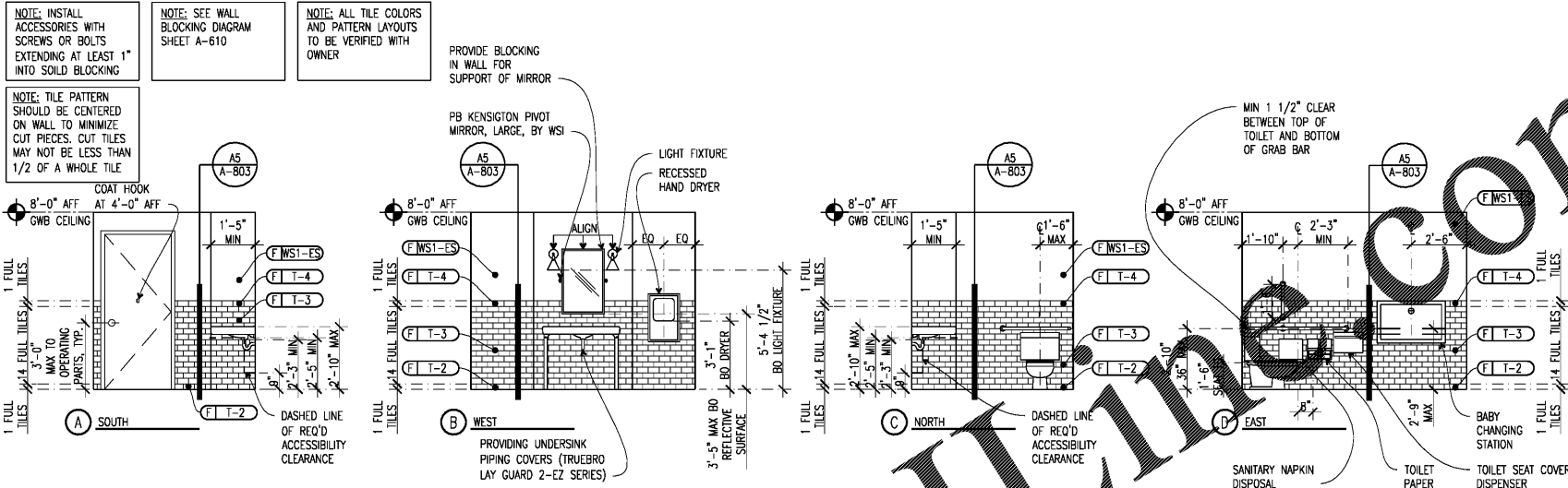
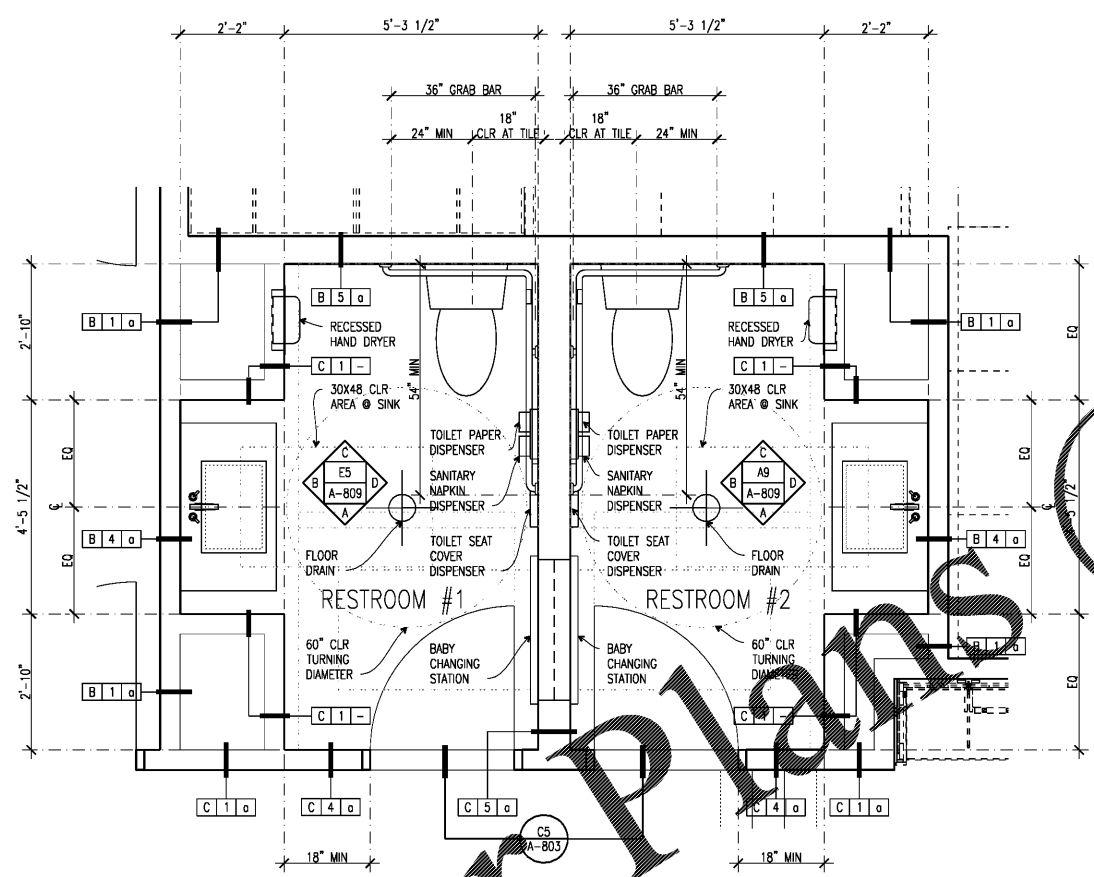


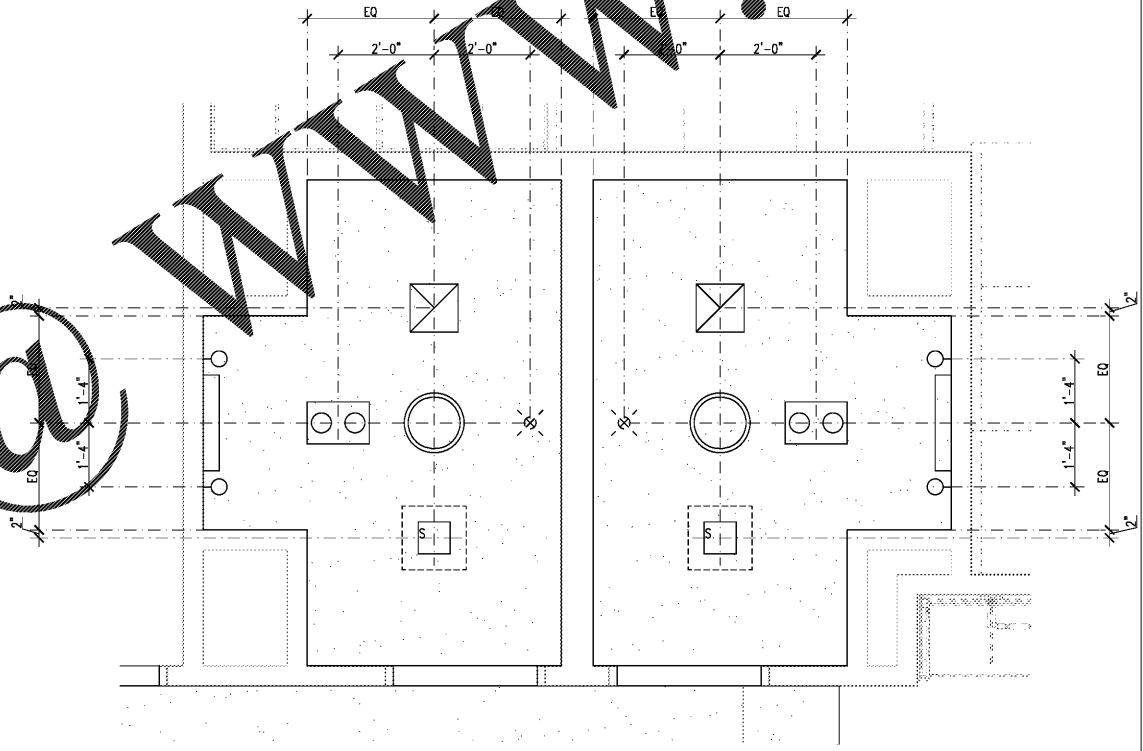
E3 DRINKING FOUNTAIN
1/2"=1'-0"



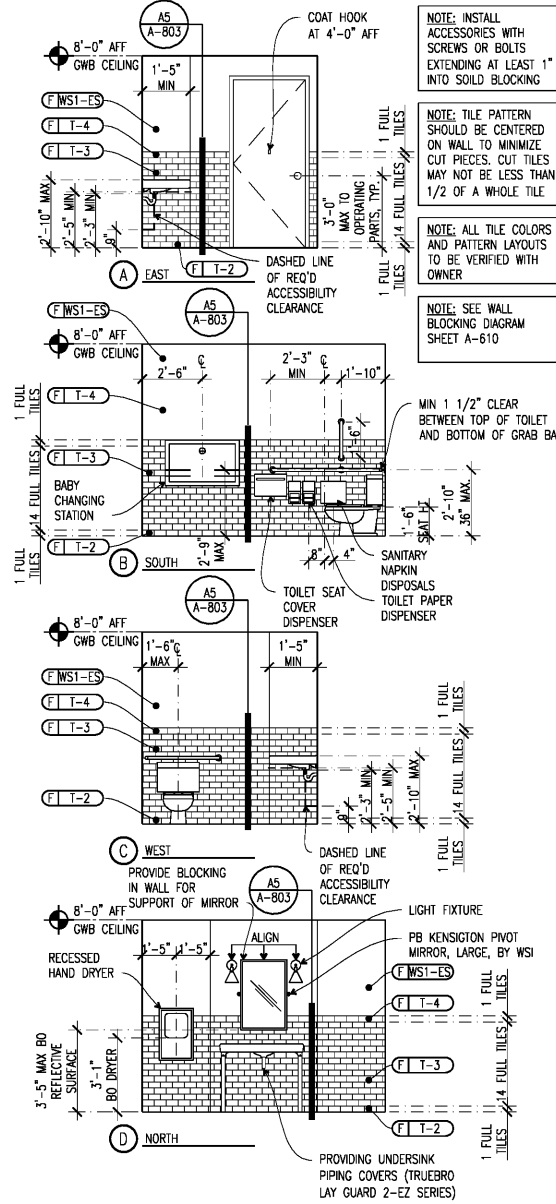
E5 RESTROOM #1 ELEVATIONS
1/4"=1'-0"



A1 ENLARGED RESTROOM FLOOR PLAN
1/2"=1'-0"



A5 ENLARGED RESTROOM REFLECTED CEILING PLAN
1/2"=1'-0"



A9 RESTROOM #2 ELEVATIONS
1/4"=1'-0"

Order Plans

WWW.LDLINE.COM

POTTERY BARN

WILLIAMS-SONOMA
A DESIGN CONSULTANCY OF ARCADIS
CALLISONRTKL INC.
www.callisonrtkl.com

OWNER: **WILLIAMS-SONOMA, INC.**
3250 Van Ness Avenue
San Francisco, CA 94109
T 415 616 8602
F 415 439 8164
www.williams-sonomainc.com

PROJECT #006-151817-00/#006-151412.00

ISSUED / REVISED	DATE
FEASIBILITY SET	08/10/17
PRELIMINARY SET	09/28/17
LL CD SET	11/30/17
PERMIT SET	12/18/17
BID SET	01/04/18

RESTROOM DETAILS

A-809