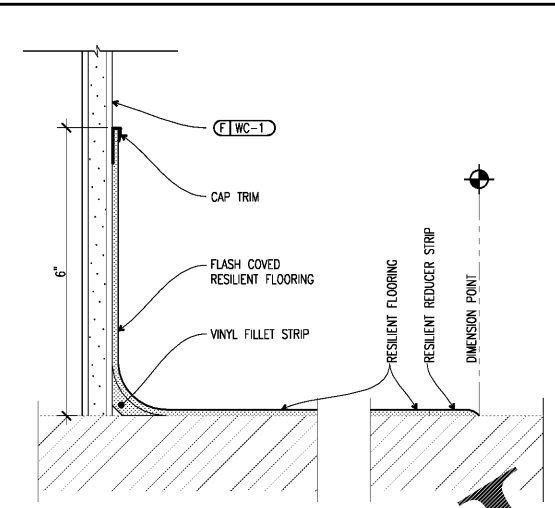


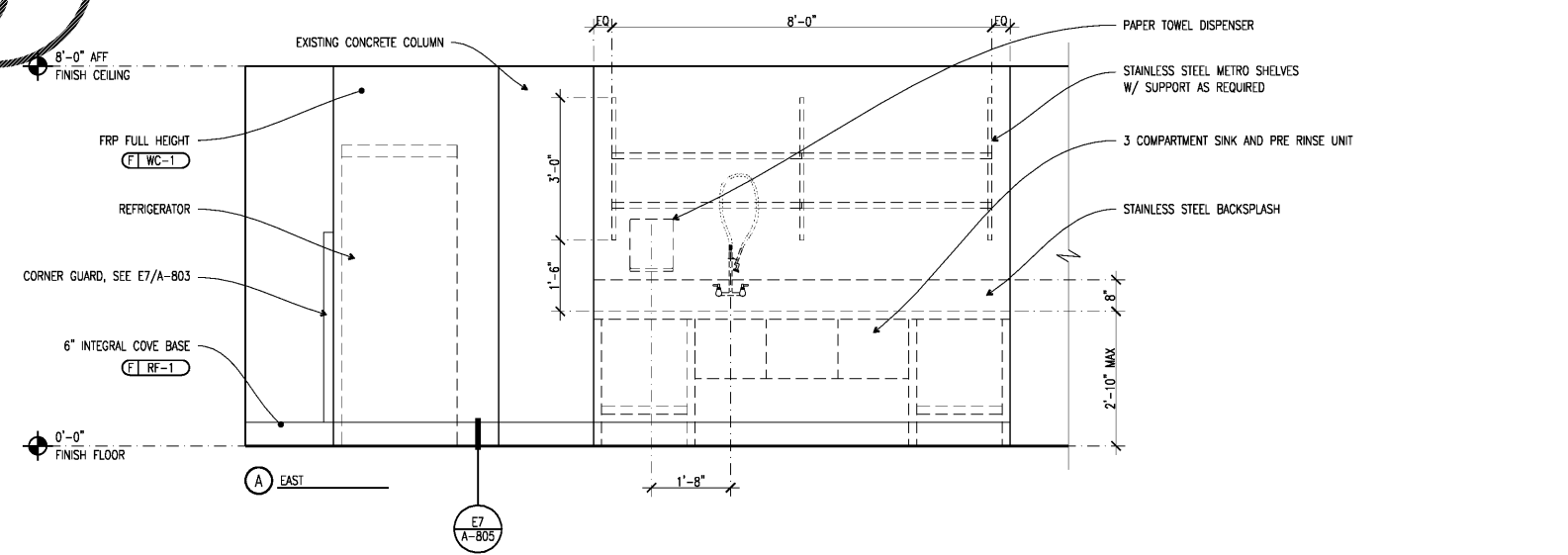
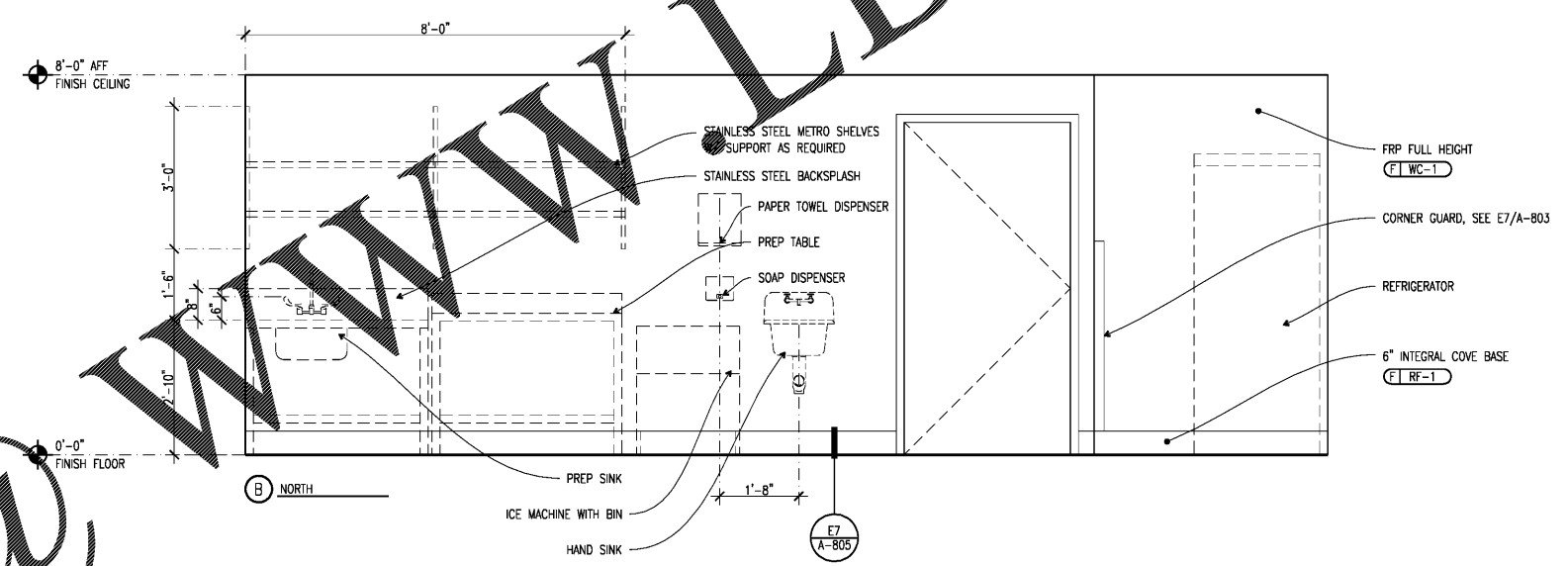
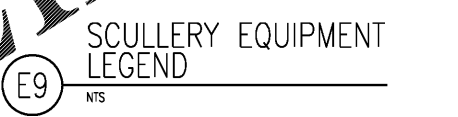
EQUIPMENT PLAN IS FOR REFERENCE ONLY. COORDINATE LOCATION OF EQUIPMENT AND SERVICES WITH FIXTURE SHOP DRAWINGS AND ELECTRICAL/PLUMBING DRAWINGS



SCULLERY EQUIPMENT LEGEND

1	NOT USED
2	HAND SINK + FAUCET
3	OMIT
4	PREP SINK
5	FLOOR SINK
6	OMIT
7	REFRIGERATOR
8	PREP TABLE
9	OMIT
10	3-COMPARTMENT SINK & PRE-RINSE UNIT

SEE PLUMBING DRAWINGS FOR GREASE TRAP, SEE PLUMBING DRAWINGS  
2'-10" MAX HEIGHT OF ALL ADA SCULLERY WORK SURFACES



EQUIPMENT ELEVATIONS ARE FOR REFERENCE ONLY. COORDINATE LOCATION OF EQUIPMENT AND SERVICES WITH FIXTURE SHOP DRAWINGS AND ELECTRICAL/PLUMBING DRAWINGS

A1 ENLARGED SCULLERY EQUIPMENT PLAN  
1/2"=1'-0"

A5 SCULLERY EQUIPMENT ELEVATIONS  
1/2"=1'-0"

WWW.LDLINE.COM

OWNER: WILLIAMS-SONOMA, INC.  
3250 Van Ness Avenue  
San Francisco, CA 94109  
T 415 616 8602  
F 415 439 8164  
www.williams-sonoma.com

CALLISONRTKL  
A DESIGN CONSULTANCY OF ARCADIS  
CALLISONRTKL INC.  
www.callisonrtkl.com

POTTERY BARN  
WILLIAMS-SONOMA  
Town Center Virginia Beach  
173/177 Central Park Avenue  
Virginia Beach, VA 23462  
PROJECT #006-151817-00/#006-151412-00

ISSUED / REVISED	DATE
FEASIBILITY SET	08/10/17
PRELIMINARY SET	09/28/17
LL CD SET	11/30/17
PERMIT SET	12/18/17
BID SET	01/04/18

WS SCULLERY DETAILS

A-805