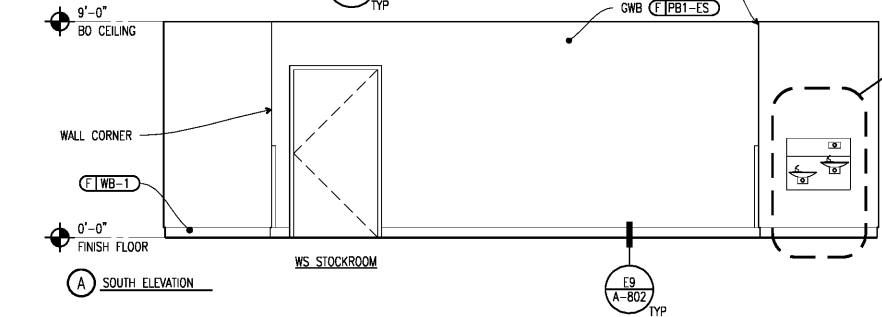
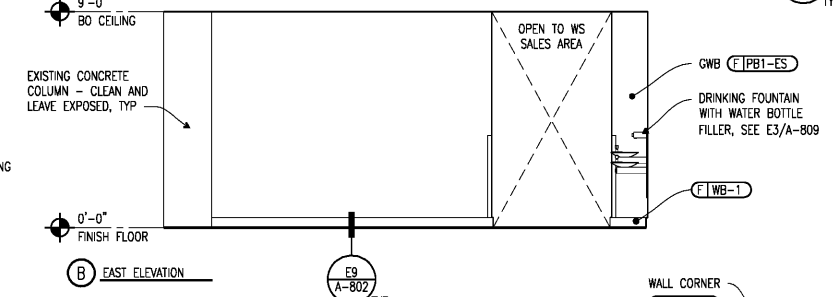
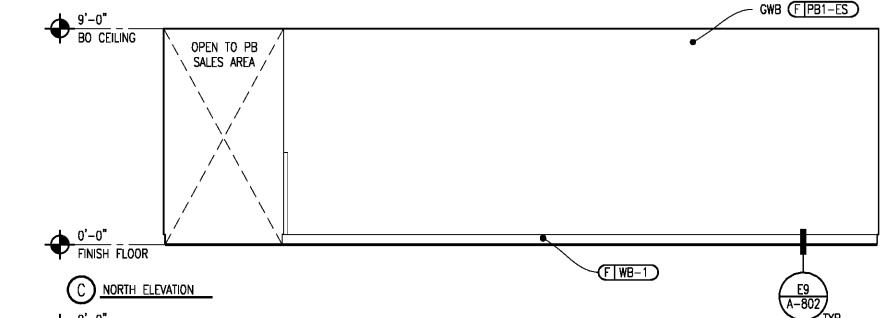


D1 SOUTH ELEVATION - CONTINUED
1/4"=1'-0"

L1 WEST ELEVATION
1/4"=1'-0"

A1 WEST ELEVATION
1/4"=1'-0"

A7 TOILET VESTIBULE ELEVATIONS
1/4"=1'-0"



OWNER:
WILLIAMS-SONOMA, INC.
3250 Van Ness Avenue
San Francisco, CA 94109
T 415 616 8602
F 415 439 8164
www.williams-sonoma.com

CALLISONRTKLTM
A DESIGN CONSULTANCY OF ARCADIS
CALLISONRTKL INC.
www.callisonrtkl.com

P O T T E R Y B A R N
WILLIAMS-SONOMA
Town Center Virginia Beach
173/177 Central Park Avenue
Virginia Beach, VA 23462
PROJECT #006-151817-00/#006-151412-00

ISSUED / REVISED	DATE
FEASIBILITY SET	08/10/17
PRELIMINARY SET	09/28/17
LL CD SET	11/30/17
PERMIT SET	12/18/17
BID SET	01/04/18

INTERIOR ELEVATIONS

A-704