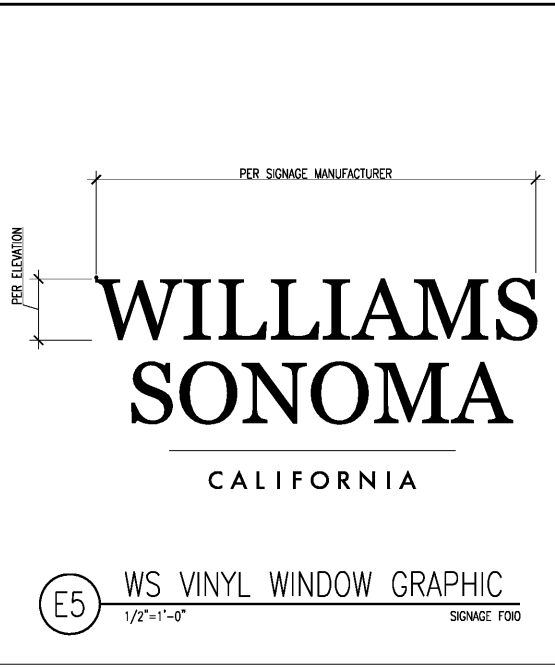


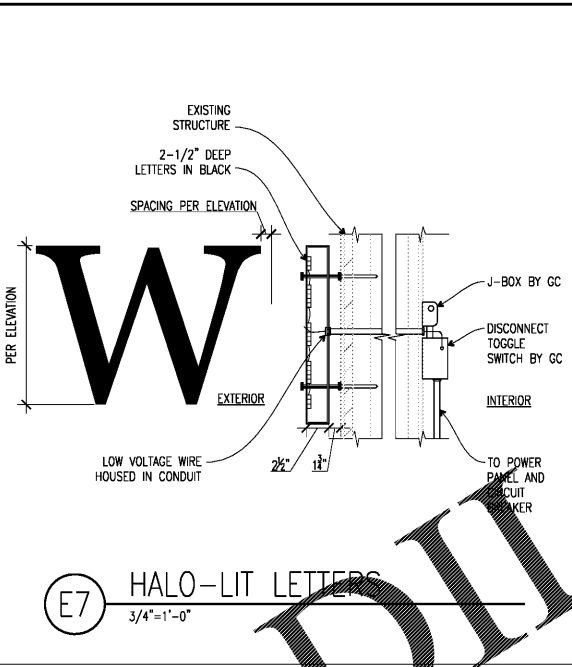
E1 CUSTOMER PICKUP - ENLARGED ELEVATION
1/2"=1'-0"



E3 WS STORE OPENING HOURS
1 1/2"=1'-0"



E5 WS VINYL WINDOW GRAPHIC
1/2"=1'-0" SIGNAGE FOLD



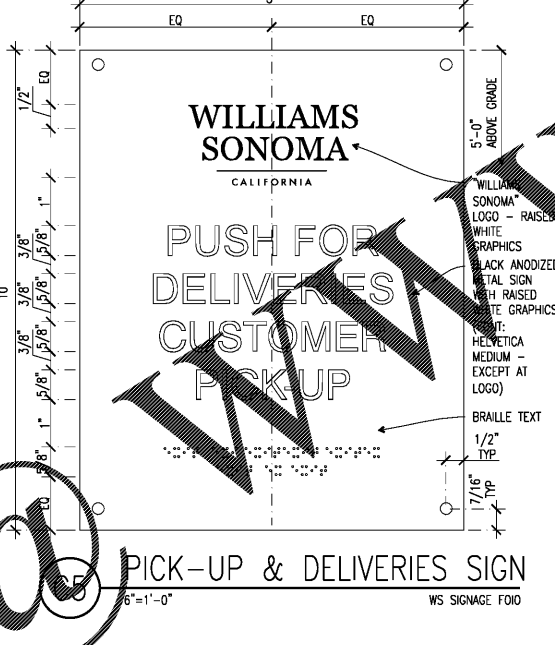
E7 HALO-LIT LETTERS
3/4"=1'-0"



A1 WS STOREFRONT SIGNAGE: ENTRY
3/4"=1'-0"



E4 PICK-UP & DELIVERIES SIGN
6"=1'-0" WS SIGNAGE FOLD



C7 NON-ILLUMINATED BLADE SIGN
NTS SIGNAGE FOLD

WS EXTERIOR GRAPHICS SCHEDULE

LOCATION	TEXT	DETAIL	SIZE	APPLIES? (Y/N)
1. TEMPORARY STORE OPENING GRAPHICS				
STOREFRONT WINDOW	WILLIAMS-SONOMA	SEE A-011	SEE A-010	
	OPENING SEASON, YEAR	SEE A-011	SEE A-010	
	PHONE NUMBER, WEBSITE	SEE A-011	SEE A-010	
2. EXTERIOR BLADE SIGN				
EXTERIOR STOREFRONT	WILLIAMS-SONOMA	C7/A-511	SEE C7/A-511	Y
3. EXTERIOR ILLUMINATED ENTRY SIGNAGE				
STOREFRONT	WILLIAMS-SONOMA	A1/A-511	SEE ELEVATION	Y
4. EXTERIOR MISC. SIGNAGE				
DELIVERIES	DELIVERIES	---	SEE C5/A-511	N
CUSTOMER PICK-UP	CUSTOMER PICK-UP	---	SEE C5/A-511	Y
CUSTOMER PICK-UP (NON-ILLUMINATED BRAND SIGN)	CUSTOMER PICK-UP	---	---	N
5. WINDOW VINYL				
STOREFRONT WINDOW	WILLIAMS-SONOMA	W-1	---	N
STOREFRONT TRANSOM	WILLIAMS-SONOMA	E5/A-511	SEE ELEVATION	Y
STORE HOURS	MON-FRI XX-XX SAT XX-XX SUN XX-XX	E3/A-511	SEE E3/A-511	Y

GRAPHIC SCHEDULE NOTES:
 1. VERIFY LOCATION OF ALL GRAPHICS ON SITE WITH ARCHITECT PRIOR TO INSTALLATION.
 2. HEIGHT OF SIGNAGE IS BASED ON THE "W" OF THE WILLIAMS-SONOMA LOGO.
 3. FINISH TO BE BLACK, U.O.N.
 4. SIGNAGE SHOP DRAWINGS TO BE SUBMITTED FOR LANDLORD APPROVAL.
 5. ALL EXTERIOR SIGNAGE AND AWNINGS TO BE UNDER SEPARATE PERMIT, IF USED.
 6. VERIFY ALL SIGNAGE W/ SUBMITTAL FOR APPROVAL, TYP.

OWNER:
WILLIAMS-SONOMA, INC.
 3250 Van Ness Avenue
 San Francisco, CA 94109
 T 415 616 8602
 F 415 439 8164
 www.williams-sonoma.com

CALLISONRTKL
 A DESIGN CONSULTANCY OF ARCADIS
CALLISONRTKL INC.
 www.callisonrtkl.com

POTTERY BARN
WILLIAMS-SONOMA
 Town Center Virginia Beach
 173/177 Central Park Avenue
 Virginia Beach, VA 23462
 PROJECT #006-151817-00/#006-151412-00

ISSUED / REVISED	DATE
FEASIBILITY SET	08/10/17
PRELIMINARY SET	09/28/17
LL CD SET	11/30/17
PERMIT SET	12/18/17
BID SET	01/04/18

WS EXTERIOR SIGNAGE DETAILS & GRAPHICS SCHEDULE

A-511

Order Plans