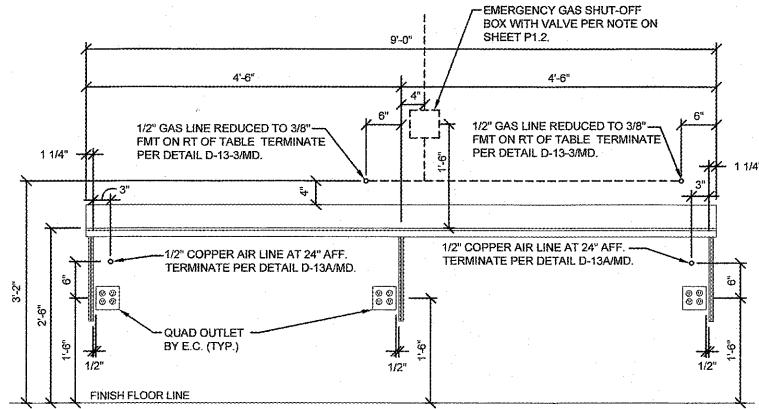
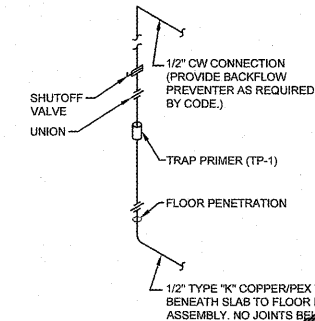


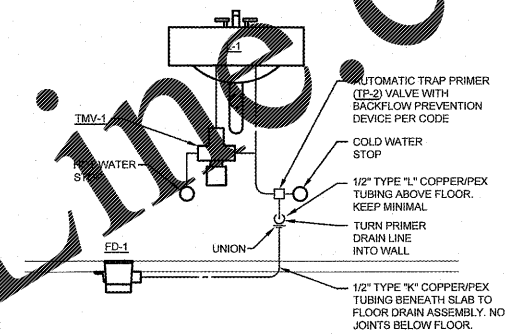
WATER HEATER PIPING DETAIL
4 P3.0 NO SCALE



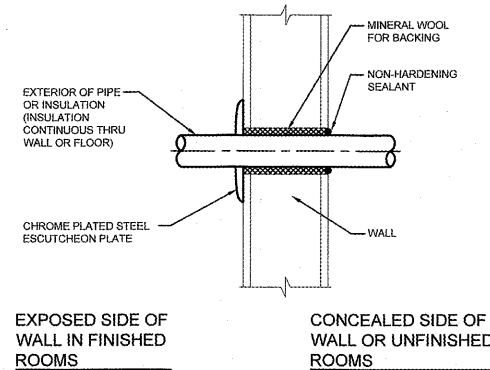
LAB WORK STATION ELEVATION
3 P3.0 SCALE: NONE



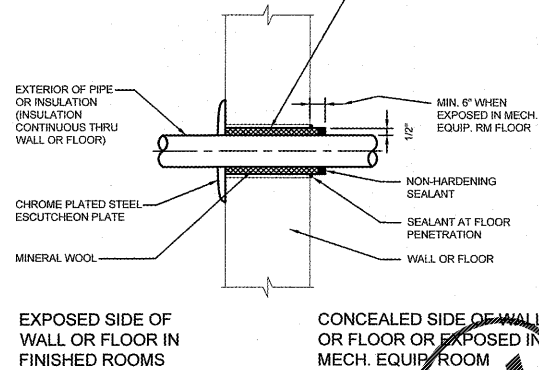
TRAP PRIMER DETAIL: SINGLE FLOOR DRAIN CONNECTIONS
2 P3.0 SCALE: NONE



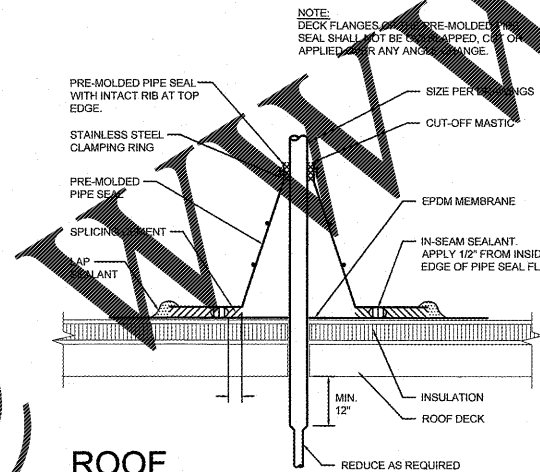
TRAP PRIMER DETAIL
1 P3.0 SCALE: NONE



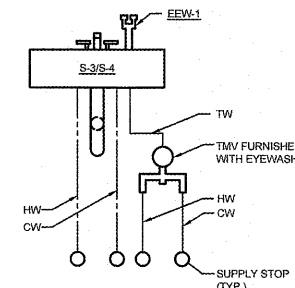
DRYWALL WALL



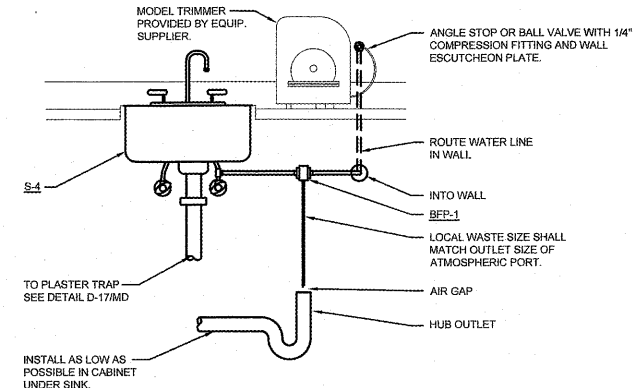
MASONRY OR CONCRETE WALL OR FLOOR



ROOF PIPE PENETRATION DETAIL
NO SCALE

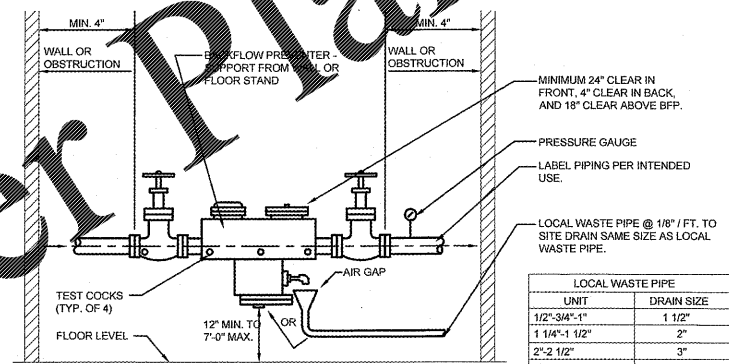


EEW DETAIL
6 P3.0 NO SCALE

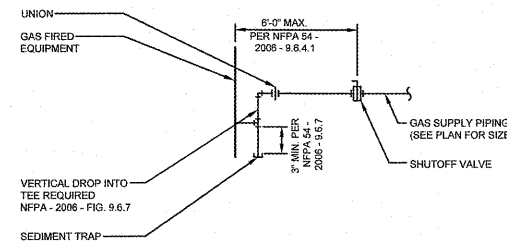


MODEL TRIMMER PIPING DETAIL
5 P3.0 NO SCALE

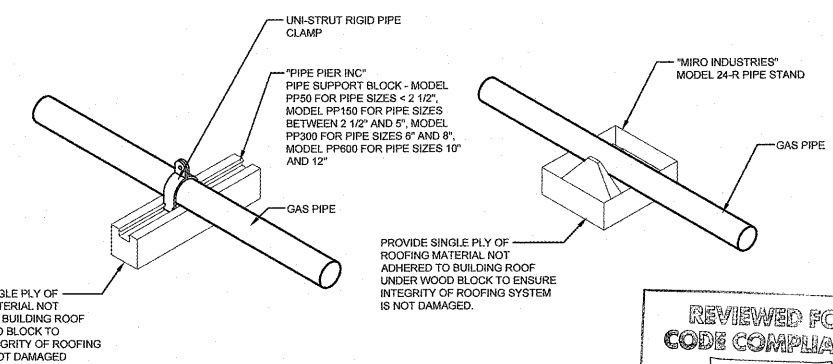
NON-RATED INTERIOR PIPE PENETRATION DETAIL
NO SCALE



BACKFLOW PREVENTER DETAIL
NO SCALE
APPLIES TO REDUCED PRESSURE PRINCIPLE BFP, PRESSURE VB ASSEMBLY, AND BACK SIPHONAGE BACKFLOW VB.



GAS PIPE CONNECTION DETAIL
NO SCALE



GAS PIPE SUPPORT ON ROOF DETAIL
NO SCALE

Order Plans

REVIEWED FOR CODE COMPLIANCE
JAN 05 2018
RETAIN AT JOB SITE
Approved By: [Signature]
CITY OF CAPE GIRARDEAU, Inspection Services