

LEGEND

NOTE: ALL SYMBOLS SHOWN MAY NOT APPEAR ON DRAWINGS.

SYM.	ABBR.	IDENTIFICATION	SYM.	ABBR.	IDENTIFICATION	SYM.	ABBR.	IDENTIFICATION
		ECCENTRIC TRANSITION		FC	FLEXIBLE CONNECTION		MOD	MOTOR OPERATED DAMPER
		CONCENTRIC TRANSITION		VD	VOLUME DAMPER		BDD	BACKDRAFT DAMPER
		SQUARE TO ROUND TRANS.		DSO	DUCT SMOKE DETECTOR		FD	FIRE DAMPER
		DUCT CAP		SD	SMOKE DAMPER		FSD	FIRE/SMOKE DAMPER
	ALD	ACOUSTICALLY LINED DUCT (NOT ALWAYS SHOWN)		SG	SUPPLY GRILLE		EG, RG, TG	(EXHAUST/RETURN/TRANSFER) GRILLE
	SA	SUPPLY AIR DUCT UP		UCD	UNDERCUT DOOR (BY GC)		DTG	DOOR TRANSFER GRILLE
	OA	OUTSIDE AIR DUCT UP		RC	REHEAT COIL		AD	ACCESS DOOR
	RA	RETURN AIR DUCT UP						
	EA	EXHAUST AIR DUCT UP						
	SA OR OA	DUCT DOWN OR AWAY						
	EA OR RA	DUCT DOWN OR AWAY						
		ROUND TO ROUND BRANCH TAKEOFF						

MISCELLANEOUS AND CONTROLS		
	AFF	ABOVE FINISHED FLOOR
	HC	HEATING CONTRACTOR
	EC	ELECTRICAL CONTRACTOR
	GC	GENERAL CONTRACTOR
	PC	PLUMBING CONTRACTOR
	NIC	NOT IN CONTRACT
	BJ	BETWEEN JOISTS
	TJ	THRU JOISTS
	TTS	TIGHT TO STRUCTURE
	TYP.	TYPICAL
	TV	TURNING VANES

NOTE:
PROJECT IS SEISMIC DESIGN CATEGORY "D" -
INSTALL ALL EQUIPMENT PER ASCE STANDARD
CHAPTER 13

NOTES:
- MAKE TRANSITION FROM DUCTWORK SIZES SHOWN ON THE DRAWINGS TO EQUIPMENT DUCT CONNECTION SIZES. VERIFY EQUIPMENT CONNECTION SIZES IN THE FIELD. ACTUAL EQUIPMENT SIZES SHALL TAKE PRECEDENCE OVER SIZES SHOWN ON PLANS.
- IF DUCT SYSTEMS ARE USED FOR TEMPORARY HEAT, PROVIDE TEMPORARY FILTERS AT RETURN AIR OPENINGS AND INSTALL FILTERS IN THE UNITS EQUIVALENT TO THE EFFICIENCY OF THE SPECIFIED FILTERS FOR THE UNIT. IF PROPER EFFICIENCY FILTERS ARE NOT INSTALLED IN UNIT, UNIT AND ALL DUCTWORK DOWNSTREAM OF UNIT SHALL BE CLEANED BEFORE TEST AND BALANCE.
- COORDINATE GRILLE LOCATIONS WITH FINAL REFLECTED CEILING PLAN AND CORRESPONDING LIGHTING CONFIGURATION.

KEYED NOTES

- ROOF TOP UNIT FOR NEW TENANT CONSTRUCTION. SEE RTAC SCHEDULE ON SHEET H0.1 AND T2.0 FOR RESPONSIBILITY OF INSTALLATION.
- TRANSITION FROM RTAC SUPPLY AND RETURN DUCT SIZES TO SIZE SHOWN ON PLAN. TRANSITION SIZE IN VERTICAL IF TRANSITION CAN MEET SPECIFICATIONS, OTHERWISE TRANSITION AFTER ELBOW. PROVIDE TURNING VANES IN DUCT ELBOWS OR TEES.
- COORDINATE BUILDING PENETRATION WITH LANDLORD. PROVIDE GRAVITY BACK DRAFT DAMPER BELOW ROOF DECK. EXHAUST OUTLET LOCATION MUST BE AT LEAST 10'-0" AWAY FROM ANY OUTSIDE AIR INTAKE.
- MOUNT PROGRAMMABLE THERMOSTAT AT 48" A.F.F. IN LOCATION AS SHOWN UNLESS LOCAL CODE AUTHORITY WILL ALLOW A MOUNTING HEIGHT OF 36" A.F.F. THERMOSTATS SHALL BE CARRIER EDGE PRO COMMERCIAL SERIES PROGRAMMABLE. THERMOSTAT FURNISHED BY ADML, INSTALLED BY HVAC CONTRACTOR.
- PROVIDE A LOCKING COVER FOR THE THERMOSTAT LOCATED IN THE RECEPTION AREA. TURN OVER LOCKBOX KEYS TO ASPEN DENTAL MANAGEMENT UPON JOB COMPLETION.
- HONEYWELL MODEL T6514 OR EQUIVALENT THERMOSTAT. THERMOSTAT FURNISHED BY HVAC CONTRACTOR. CONDUIT AND WIRING PROVIDED BY ELECTRICAL CONTRACTOR. REFER TO SHEET E1.1P.
- MOTOR OPERATED DAMPER WITH 120V POSITION, SPRING RETURN. NORMALLY OPEN DAMPER ACTUATOR WIRED TO WALL SWITCH BY E.C. TO CLOSE DAMPER WHEN SWITCH IS ON. REFER TO "GREENHECK" MODEL CDR-53 OR EQUIVALENT ACTUATOR. "THERMO" MODEL TFB120 OR EQUIVALENT.

EXCEL
ARCHITECTS • ENGINEERS • SURVEYORS
100 CANTON DRIVE
FOND DU LAC, WI 54935
PHONE: (920) 926-9800
WWW.EXCELENGINEER.COM

COLLABORATION
AspenDental

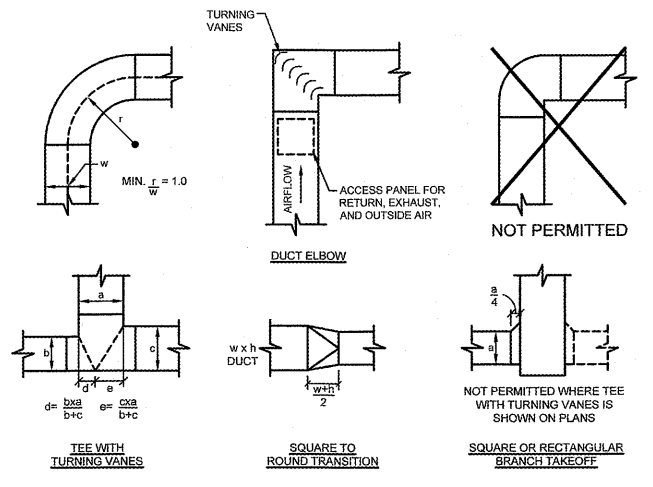
PROJECT INFORMATION
PROJECT NUMBER 1712680

TENANT BUILD-OUT FOR:
ASPEN DENTAL
3070 WILLIAM STREET • CAPE GIRARDEAU, MO 63703

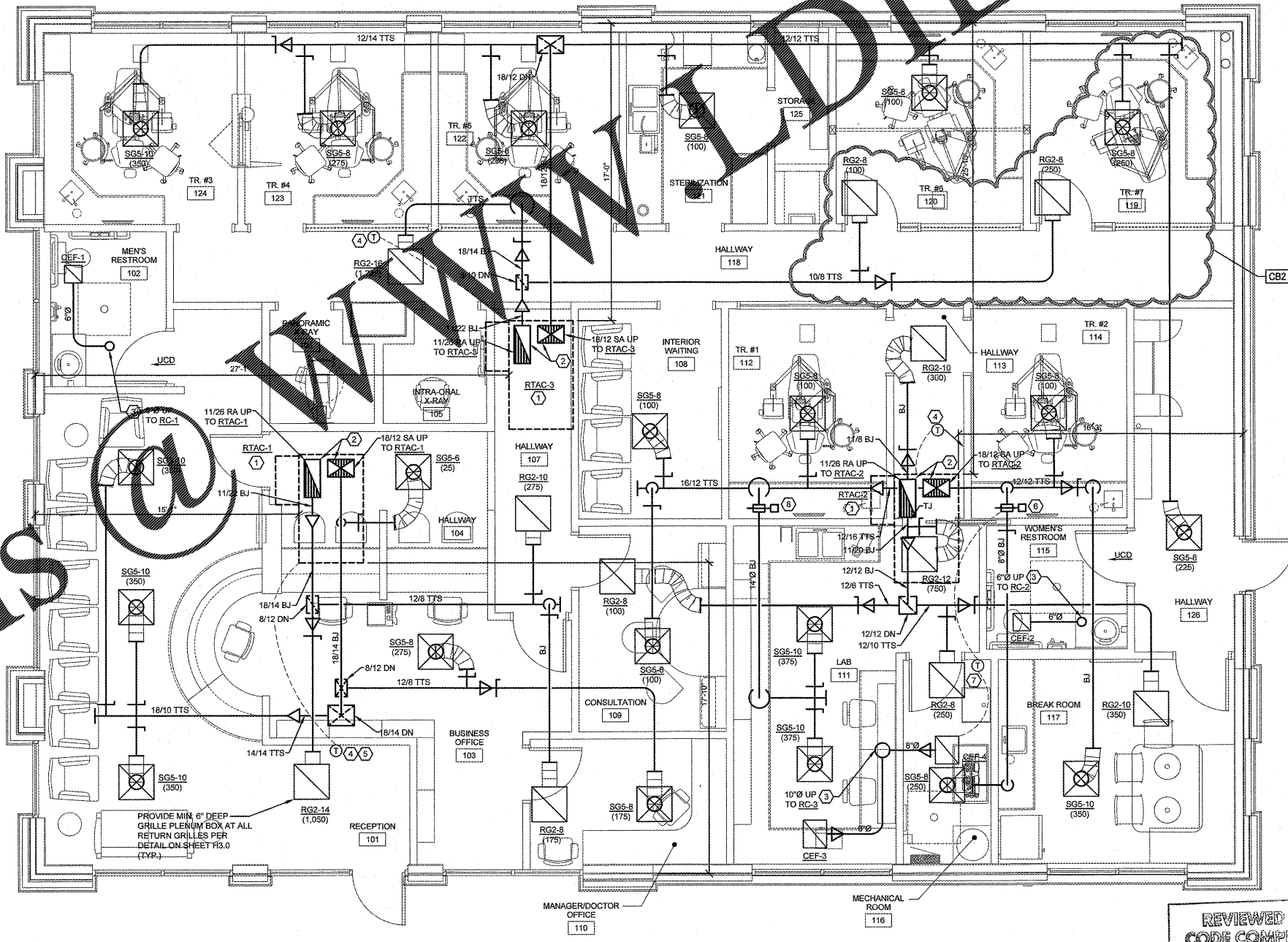
PROFESSIONAL SEAL
STATE OF MISSOURI
RAYMOND DEL POINTE
MEMBER
FE-2009023269
PROFESSIONAL ENGINEER

SHEET DATES
ISSUE DATE JUNE 1, 2017
REVISIONS
AD1 JUNE 6, 2017 ARCH PLAN CHANGES
AD2 JUNE 22, 2017
CB2 DEC. 19, 2017

SHEET INFORMATION
FLOOR PLAN, LEGEND & DETAILS
SHEET NUMBER
H1.1



DUCT FITTING DETAILS
NO SCALE



FLOOR PLAN
SCALE: 1/4" = 1'-0"

REVIEWED FOR
CODE COMPLIANCE
JAN 05 2018
RETAIN AT JOB SITE
Approved By: [Signature]
CITY OF CAPE GIRARDEAU, Inspection Services

Order Plans @