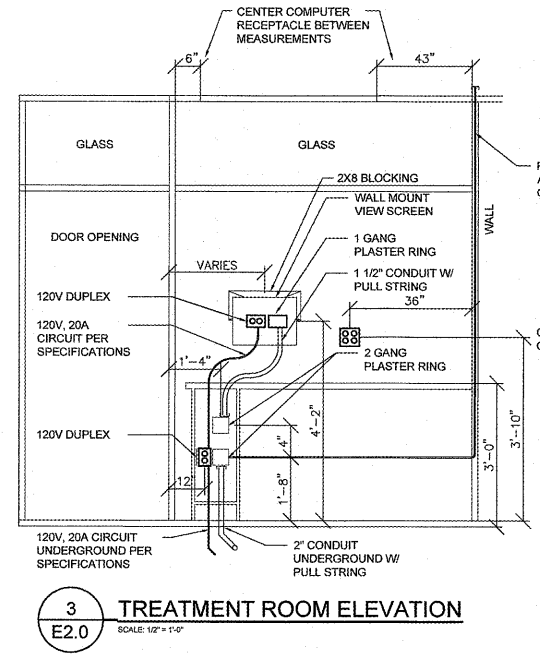
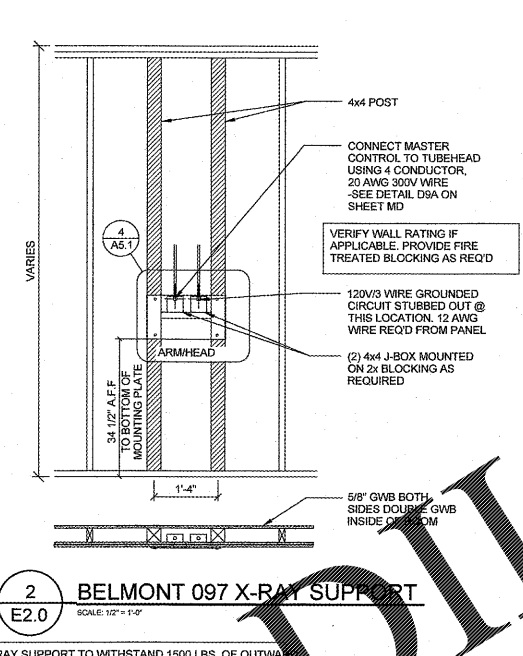


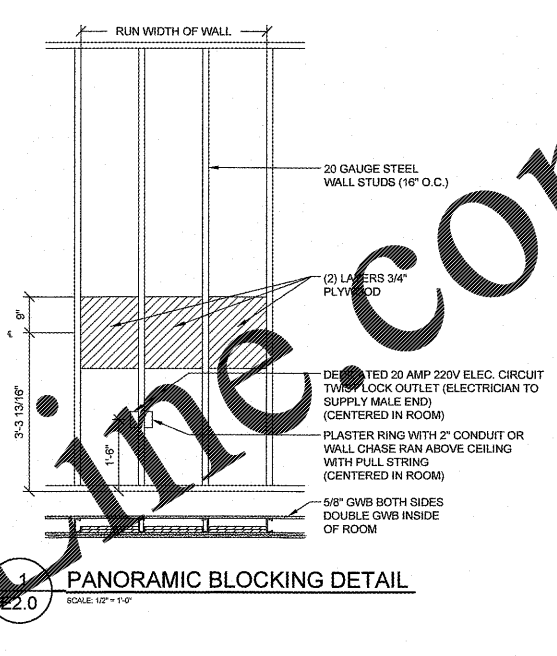
**4 TREATMENT ROOM ELEVATION**  
E2.0 SCALE: 1/2" = 1'-0"



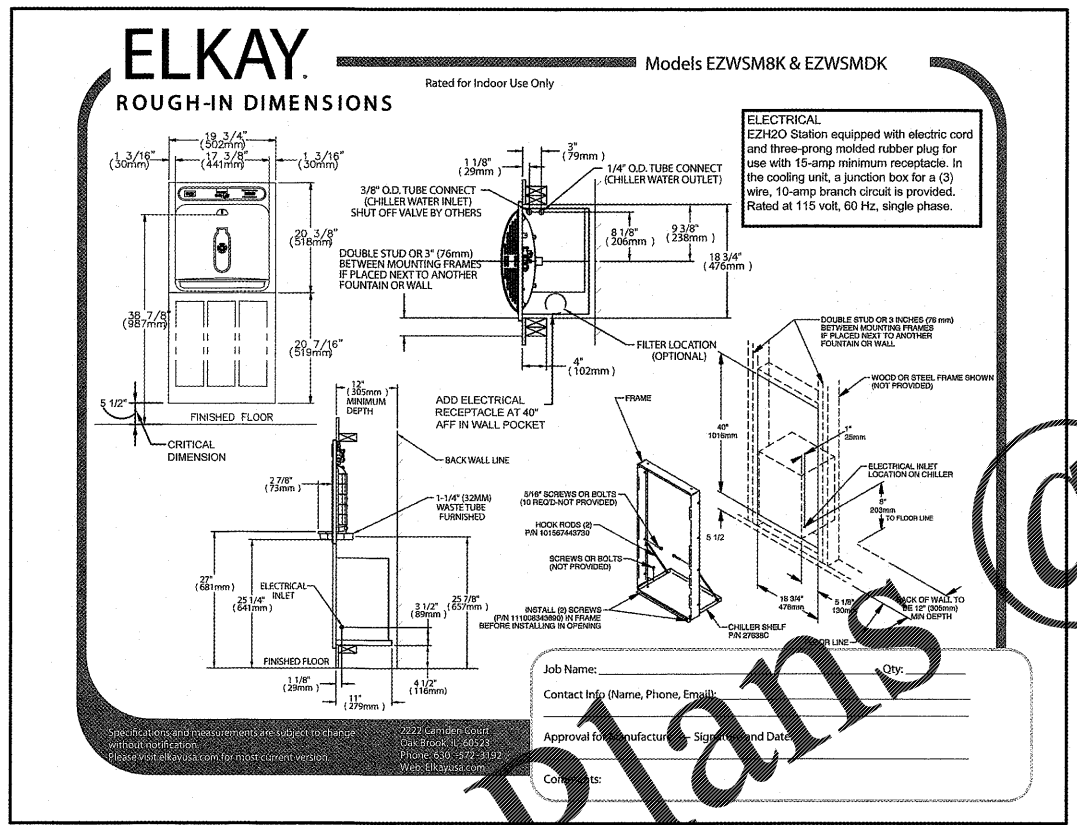
**3 TREATMENT ROOM ELEVATION**  
E2.0 SCALE: 1/2" = 1'-0"



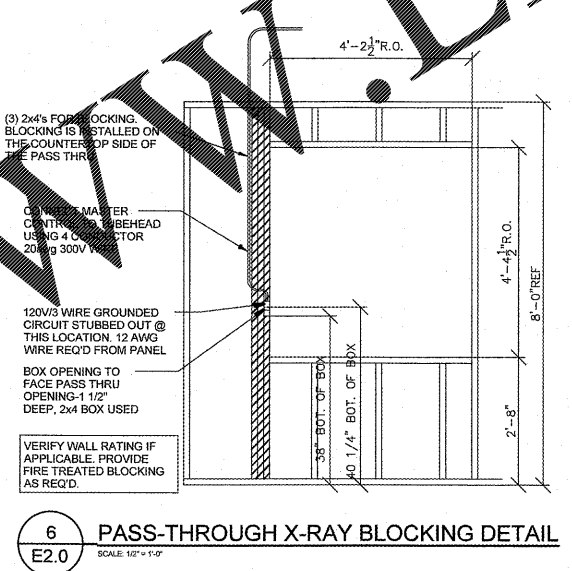
**2 BELMONT 097 X-RAY SUPPORT**  
E2.0 SCALE: 1/2" = 1'-0"



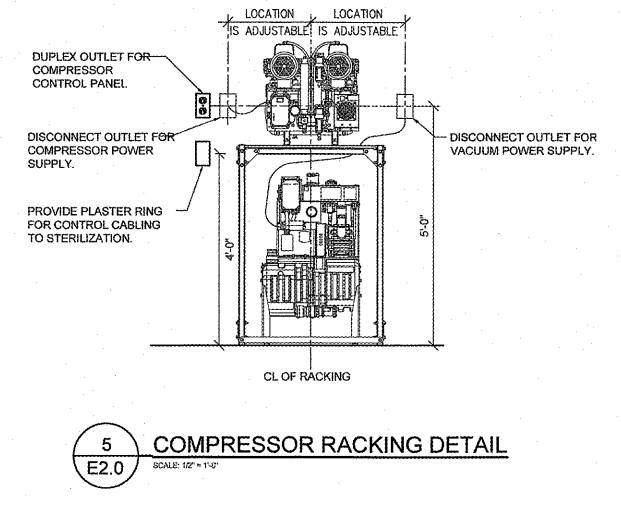
**1 PANORAMIC BLOCKING DETAIL**  
E2.0 SCALE: 1/2" = 1'-0"



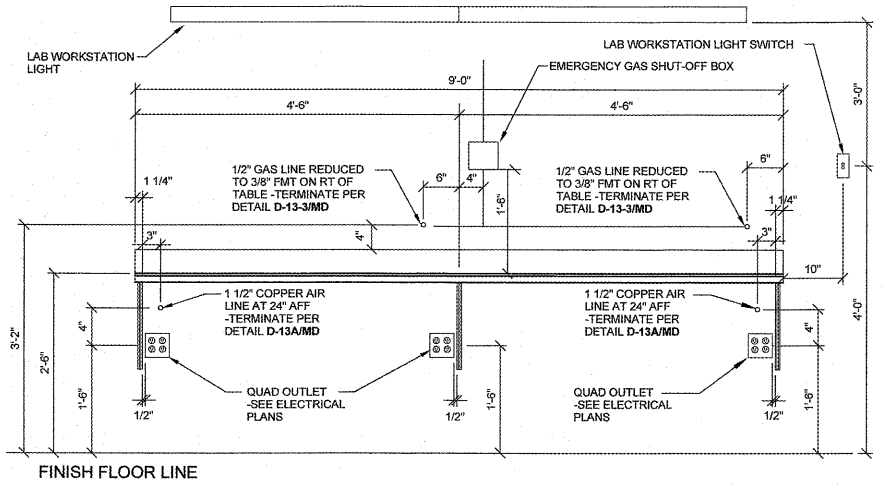
**7 BOTTLE FILLING STATION DETAIL**  
E2.0 NO SCALE



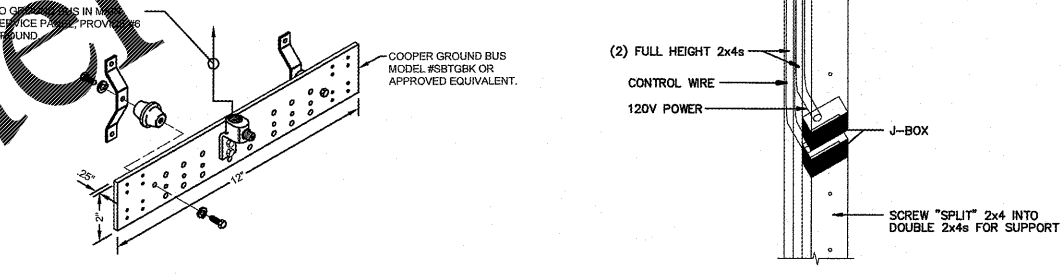
**6 PASS-THROUGH X-RAY BLOCKING DETAIL**  
E2.0 SCALE: 1/2" = 1'-0"



**5 COMPRESSOR RACKING DETAIL**  
E2.0 SCALE: 1/2" = 1'-0"



**8 LAB WORKSTATION ELEVATION**  
E2.0 SCALE: 3/4" = 1'-0"



**TELECOM GROUNDING DETAIL**  
NO SCALE

**9 PASS THRU X-RAY ISOMETRIC**  
E2.0 NO SCALE

**Order Plans**

REVISIONS

REVIEWED FOR CODE COMPLIANCE  
JAN 6 5 2018  
RETAIN AT JOB SITE  
Approved By: [Signature]  
CITY OF CAPE GIRARDEAU, Inspection Services