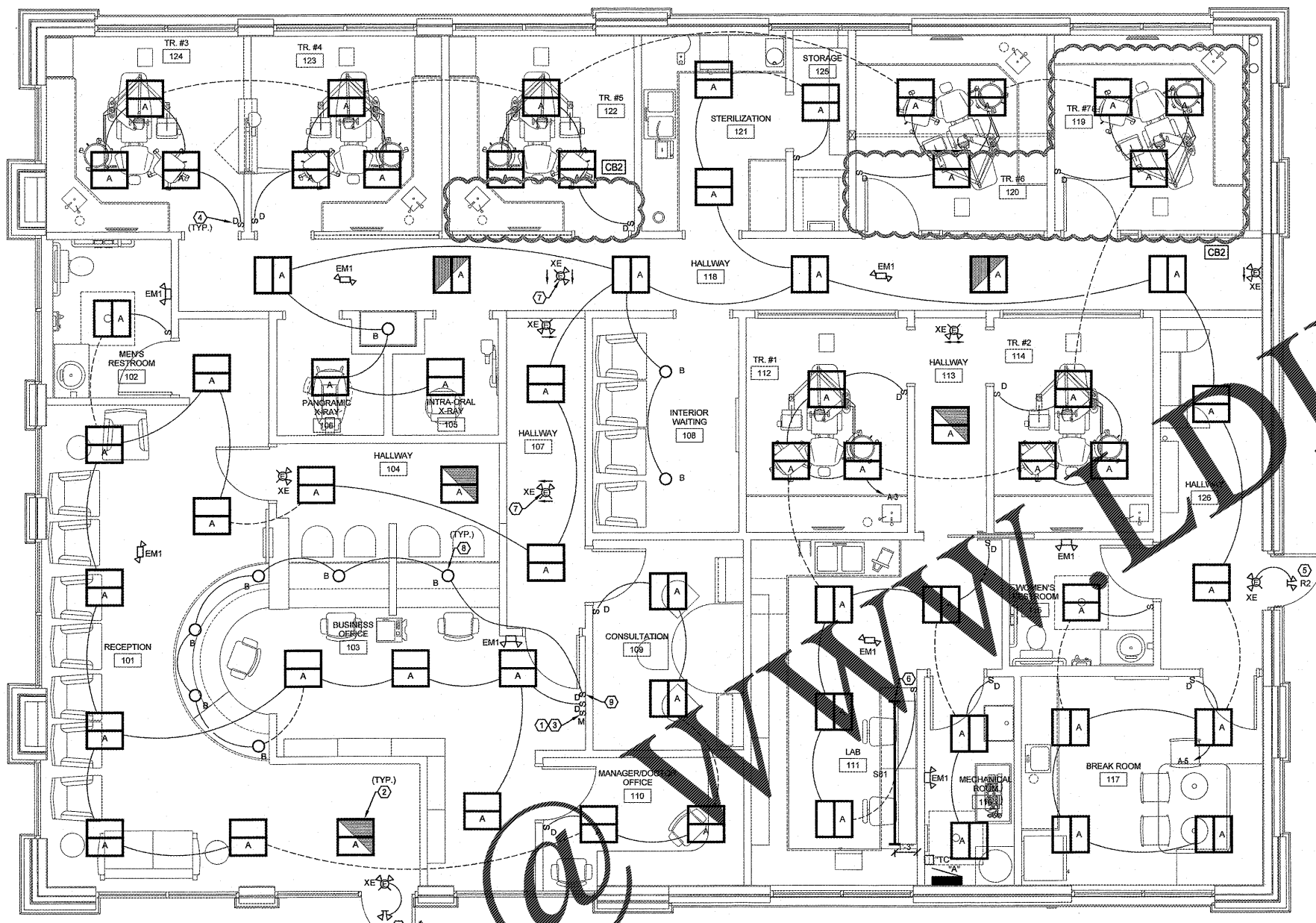


**LIGHTING PLAN NOTES:**

- FIXTURE SHADING INDICATES THAT FIXTURE SHALL BE ON NIGHT LIGHT CIRCUIT.
- COORDINATE LIGHTING LAYOUT WITH ARCHITECT'S REFLECTED CEILING PLAN AND ADJUST LAYOUT ACCORDINGLY.
- E.C. SHALL PROVIDE ALL APPURTENANCES AND ACCESSORIES INCLUDING, BUT NOT LIMITED TO, PHOTOCELLS, CONTACTORS, SWITCHES, HANGERS, ETC., IN ORDER TO PROVIDE A COMPLETE AND OPERABLE SYSTEM.
- COORDINATE FIXTURE LOCATIONS AND MOUNTING ASSEMBLIES WITH OTHER TRADES AND TYPE OF CONSTRUCTION TO ENSURE ADEQUATE MOUNTING.
- ALL TYPE "XE" AND "EM1" EMERGENCY LIGHTS WILL BE PROVIDED WITH 90 MIN. BATTERY BACK-UP. BATTERY CHARGER TO BE CIRCUITED TO UNSWITCHED LEG OF LOCAL LIGHT CIRCUIT.
- ALL WALL MOUNTED EMERGENCY LIGHTS TO BE 6" AFF.

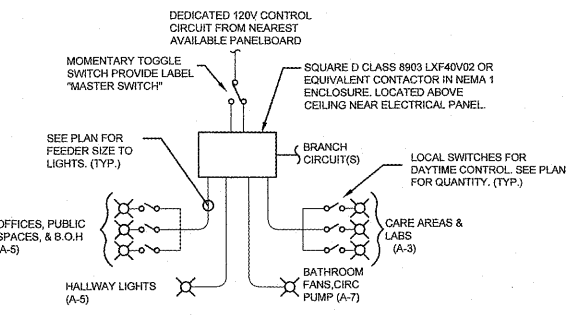
**LIGHTING PLAN KEYED NOTES:**

1. SEE INTERIOR LIGHTING CONTROL DETAIL FOR SWITCHING SCHEMES.
2. CIRCUIT NIGHT LIGHT UNSWITCHED TO CIRCUIT A-1.
3. PROVIDE SWITCH BANK AT 4" A.F.F.
4. PROVIDE DIMMER SLIDER DIMMER WITH ON/OFF SWITCH, COOPER WIRING DEVICE SF10P-LA OR EQUIVALENT AS AN ALTERNATE. TYPICAL ALL DIMMERS CONTROLLING "A" FIXTURES. SEE DIMMER WIRING DIAGRAM.
5. WIRING REMOTE EXTERIOR EGRESS EMERGENCY HEADS FROM EXIT LIGHT BATTERY AS SHOWN. EXTERIOR EGRESS EMERGENCY LIGHTING IS NOT ALREADY EXISTING.
6. MOUNT BOTTOM OF FIXTURE AT 7'-0" A.F.F.
7. EXIT LIGHT IS UNIVERSAL SINGLE FACE OR DOUBLEFACE. PROVIDE EXIT AS DOUBLE FACE.
8. LIGHT HOUSING FOR "B" FIXTURE TO BE PROVIDED BY EC. HOUSING TO BE COOPER H750T.
9. PROVIDE SLIDE DIMMER WITH ON/OFF SWITCH, COOPER WIRING DEVICE SAL06P-LA OR EQUIVALENT BY LUTRON OR LEVITON. TYPICAL ALL DIMMERS CONTROLLING "B" FIXTURES.



**FLOOR PLAN - LIGHTING**

SCALE: 1/4" = 1'-0"  
NORTH



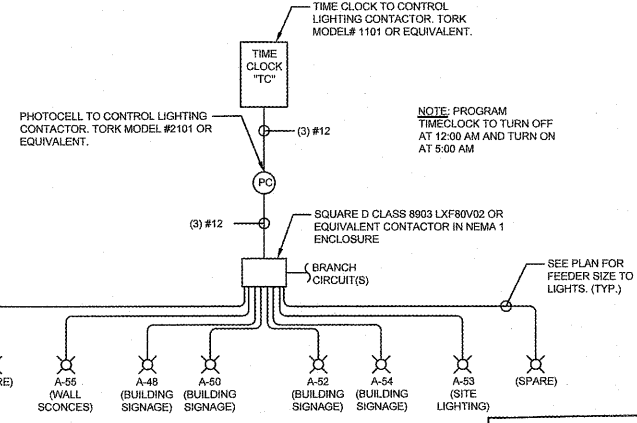
**INTERIOR LIGHTING CONTROL DETAIL**

NO SCALE

TYPE	DESCRIPTION	VOL.	LAMP QTY.	TYPE	MANUFACTURER / CATALOG NO.	REMARKS
<b>LAY-IN TROFFERS</b>						
A	2X2 LED LAY-IN TROFFER	120V	-	LED	METALUX / 22EN-LD1-34-UNV-L840-CD1-U	OFCI
<b>DOWNLIGHTS</b>						
B	LED DOWNLIGHT	120V	-	LED	HALO / H750T-ML5609840-692SC	OFCI(3)
<b>STRIPLIGHT</b>						
S81	LINEAR LED STRIPLIGHT	120V	-	LED	METALUX / 8T5NLED-LD4-75SL-LN-UNV-L850-CD1-U / SCF-36-B	OFCI (1)(2)
<b>EMERGENCY/EXIT</b>						
XE	COMBO SINGLE/DOUBLE FACE EXIT W/EMERGENCY HEADS	120V	-	W/FIXTURE	EVENLITE / TCUCOM-2x0.5-G-U-W	OFCI
R2	EXTERIOR TWINHEAD REINFORCED EMERGENCY LAMPS	120V	-	W/FIXTURE	EVENLITE / TCXWP2	OFCI
EM1	WALL / CEILING BATTERY EMERGENCY LIGHT	120V	-	W/FIXTURE	EVENLITE / TCL-2-W	OFCI

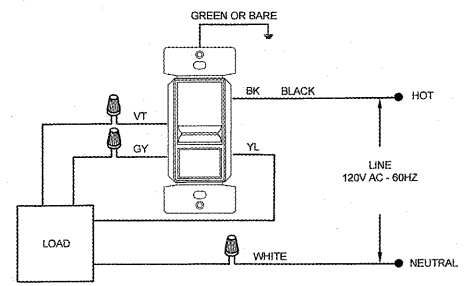
- COORDINATE FIXTURE LOCATIONS, CEILING COLOR, DIMENSION AND TRIM TYPE WITH ARCHITECT'S REFLECTED CEILING GRID.  
 MAKE ALL FIXTURES LAYOUT AS REQUIRED.  
 REMARKS:  
 OFCI = OWNER FURNISHED CONTRACTOR INSTALLED.  
 PROVIDE CADD GRID LAMP HANGER AND 4" BOX FOR MOUNTING. VERIFY STEM LENGTH TO MOUNT BOTTOM OF FIXTURE AT 7'-0" AFF.  
 ALL MOUNTING SUPPLIES SUPPLIED BY OWNER.  
 LIGHT HOUSING FOR "B" FIXTURE TO BE PROVIDED BY EC. HOUSING TO BE COOPER H750T.

NOTE:  
 ALL LIGHT FIXTURES LISTED ON THE SCHEDULE ABOVE WILL BE FURNISHED BY OWNER AND INSTALLED BY E.C.  
 E.C. SHALL PROVIDE ALL NECESSARY MOUNTING ACCESSORIES, HARDWARE HANGARS, SWITCHES, ETC THAT ARE NOT SUPPLIED WITH FIXTURE/DEVICE UNLESS OTHERWISE NOTED IN THE ABOVE SCHEDULE.



**EXTERIOR LIGHTING CONTROL DETAIL**

NO SCALE



**0-10V DIMMER WIRING DIAGRAM W/ NON SWITCHED RECEPT.**

NO SCALE

REVIEWED FOR  
CODE COMPLIANCE

JAN 05 2018

RETAIN AT JOB SITE  
 Approver: [Signature]  
 City of Cape Girardeau, Inspection Services

COORDINATE LOCATION OF ALL EXPOSED CONDUIT WITH OWNER PRIOR TO INSTALLATION.