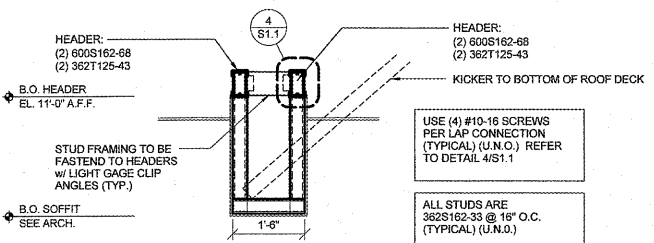
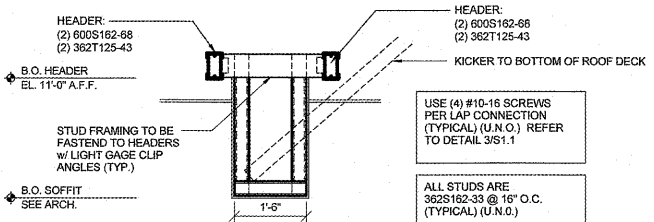


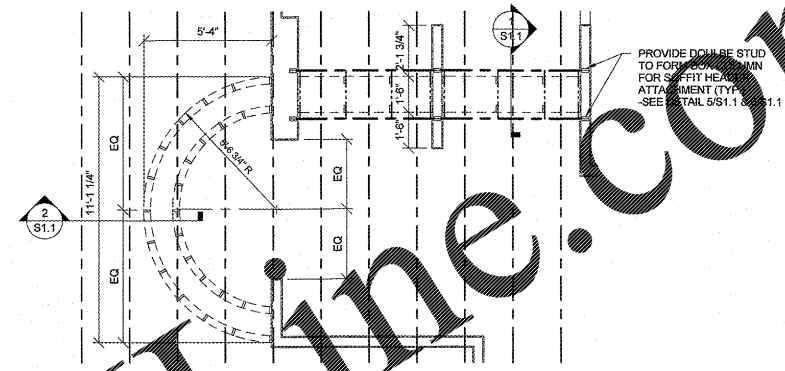
2 CEILING SOFFIT SECTION
S1.1 NOT TO SCALE



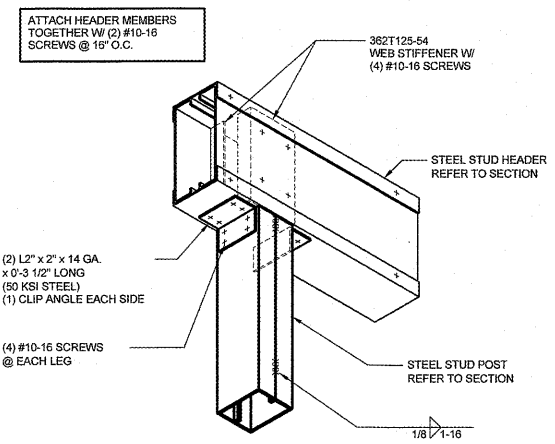
1A CEILING SOFFIT SECTION (ALTERNATE)
S1.1 NOT TO SCALE



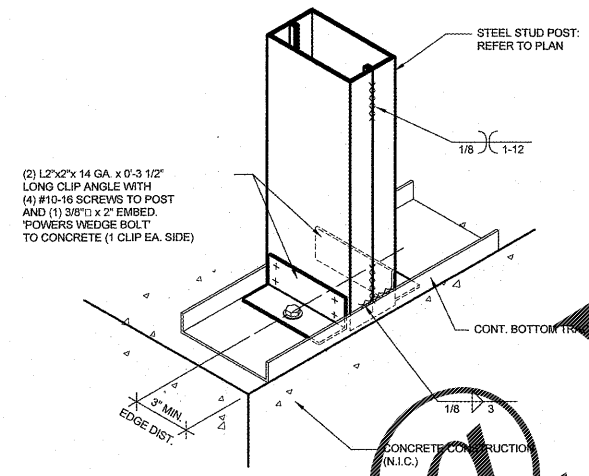
1 CEILING SOFFIT SECTION
S1.1 NOT TO SCALE



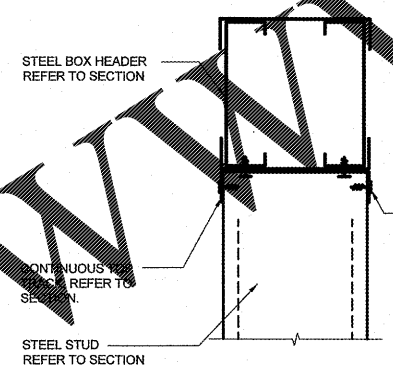
SOFFIT FRAMING PLAN
SCALE: 1/4" = 1'-0"



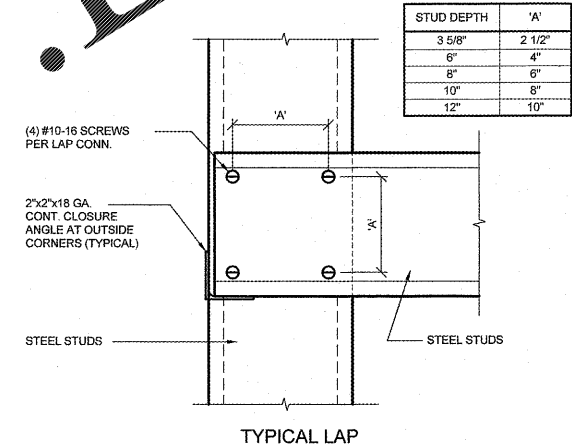
6 HEADER-POST DETAIL
S1.1 NOT TO SCALE



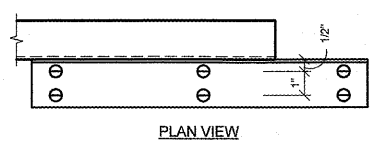
5 POST CONNECTION DETAIL
S1.1 NOT TO SCALE



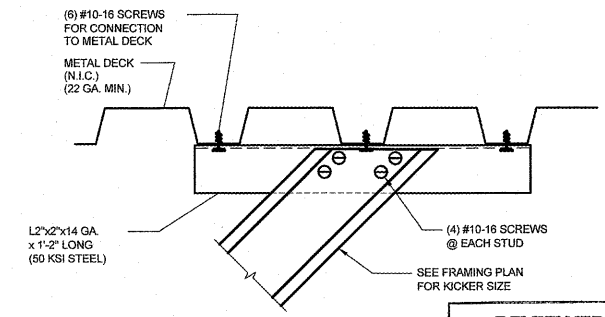
4 CONNECTION DETAIL
S1.1 NOT TO SCALE



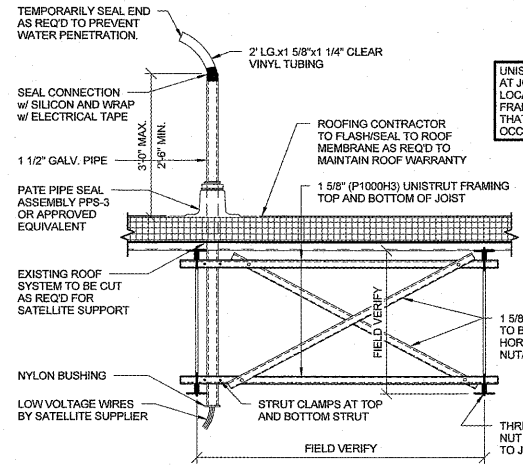
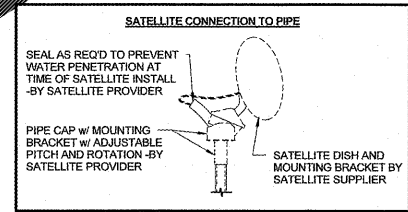
3 LAP CONNECTIONS
S1.1 NOT TO SCALE



PLAN VIEW



7 KICKER/DECK CONNECTION
S1.1 NOT TO SCALE



8 SATELLITE SUPPORT DETAIL
S1.1 NOT TO SCALE

REVIEWED FOR CODE COMPLIANCE
JAN 05 2018
Approved By: *[Signature]*
CITY OF CAPE GIRARDEAU, Inspection Services

Order Plans