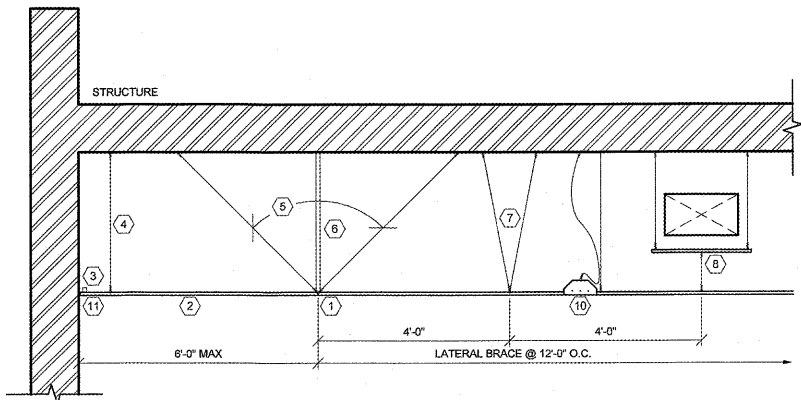
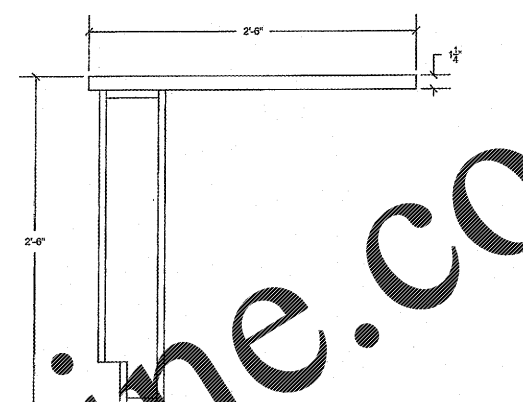


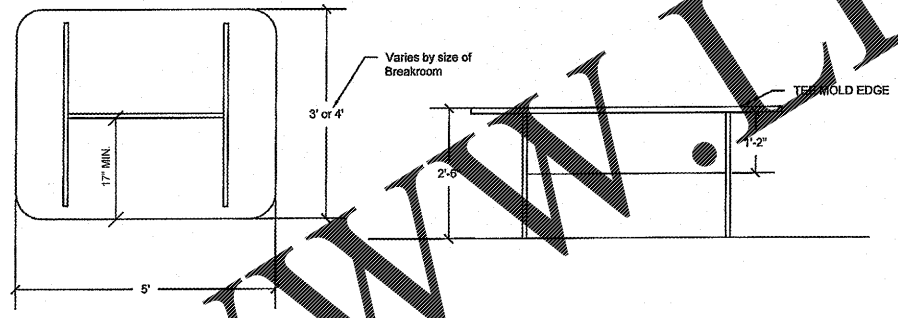
TYPICAL CEILING SYSTEM



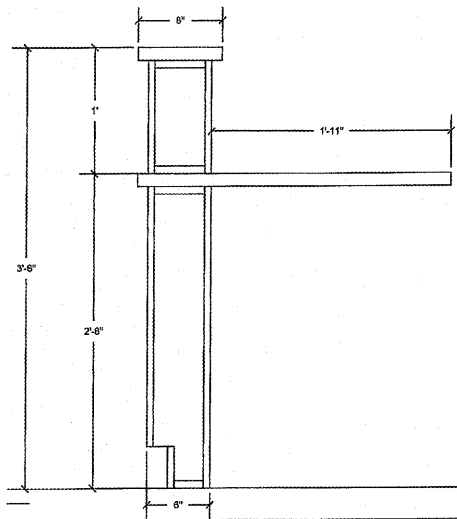
- 1 MAIN RUNNERS OF A HEAVY DUTY SUSPENSION SYSTEM @ 4'-0" O.C. SUPPORTED W/ NO. 12 WIRES @ 4'-0" O.C. (OR NO. 10 WIRES @ 5'-0" O.C.). HANGER ATTACHMENT SHALL SUPPORT 5 x CEILING LOAD, 50 LBS. MIN.
- 2 CROSS RUNNERS SUPPORTED BY MAIN RUNNERS OR OTHER CROSS RUNNERS.
- 3 SPREADER SPACER BARS OR OTHER APPROVED MEANS SHALL BE USED TO PREVENT THE ENDS OF THE MAIN RUNNERS @ PERIMETER WALLS FROM SPREADING OPEN DURING A SEISMIC EVENT. PERIMETER WIRES SHALL NOT BE USED IN LIEU OF SPREADER BARS.
 - a. WIRE TYING IS AN ACCEPTABLE ALTERNATIVE TO SPREADER BARS.
 - b. SPREADER BARS ARE NOT REQUIRED IF A 90 DEGREE CROSS OR MAIN IS WITHIN 8" OF THE PERIMETER WALL.
- 4 HANGER SYSTEM TO BEGIN WITHIN 8" OF PERIMETER.
- 5 LATERAL FORCE BRACING SYSTEM TO BEGIN WITHIN 6'-0" OF PERIMETER AND WITHIN 2 INCHES OF CROSS RUNNER INTERSECTION. (4) 12 ga. SPLAY WIRES SECURED TO MAIN RUNNER AND SPLAYED 90° FROM EACH OTHER IN PLAN AND AT AN ANGLE NOT EXCEEDING 45° FROM CEILING PLANE. BRACE @ 12'-0" O.C. EA. WAY.
- 6 VERTICAL COMPRESSION STRUT @ EA. LATERAL BRACE LOCATION. STRUT TO BE 3/4" H.D. TUBING W/ SPRING CLIPS @ EA. END AS MANUFACTURED BY ROBLIN PRODUCT SYSTEMS, OR SIMILAR CONNECTION DEVICES TO BE APPROVED TYPE & HAVE 100% COMPATIBILITY. VERTICAL STRUTS MUST BE POSITIVELY ATTACHED TO THE SUSPENDED CEILING SYSTEM.
- 7 AT HANGERS MORE THAN 1:6 OUT OF PLUMB, PROVIDE COUNTER SLOPE HANGERS.
- 8 WHERE HANGER WIRES ARE NOT POSSIBLE DUE TO OBSTRUCTIONS, PROVIDE A TRAPEZE OR EQUIVALENT DEVICE. TRAPEZE SUSPENSIONS FOR SPANS EXCEEDING 48" SHALL BE A MIN. OF BACK-TO-BACK 1 1/4" COLD ROLLED CHANNELS.
- 9 EA ANCHOR TO HAVE 100 LB. WITHDRAWAL STRENGTH.
- 10 LIGHT FIXTURE SUPPORT:
 - A. WITH "HEAVY DUTY" SUSPENSION SYSTEMS, 12 ga. HANGERS SHALL BE ATTACHED TO THE GRID MEMBERS WITHIN 3" OF EA. CORNER OF EA. FIXTURE - TANDEM FIXTURES MAY USE COMMON WIRES.
 - B. LIGHT FIXTURES WEIGHING LESS THAN 50 LBS. REQUIRE (2) 12 ga. SLACK WIRES FROM THE FIXTURE HOUSING (OPPOSITE CORNERS) TO THE STRUCTURE ABOVE.
 - C. LIGHT FIXTURES IN EXCESS OF 50 LBS. SHALL BE SUPPORTED DIRECTLY FROM THE STRUCTURE ABOVE.
 - D. ALL LIGHTING FIXTURES SHALL BE POSITIVELY ATTACHED TO THE CEILING SUSPENSION SYSTEM W/ TEE BAR LIGHT CLIPS OR SIMILAR DEVICES.
- 11 ATTACH CONT. CLOSURE ANGLES W. 2" HORIZ. LEG TO ALL WALLS. CEILING GRIDS TO BE SECURELY ATTACHED TO CLOSURE ANGLES @ 2 ADJACENT WALLS. CEILING GRIDS ON 2 OPPOSITE WALLS TO STOP SHORT OF WALL 3/4" AND BE FREE TO MOVE ON HORIZ. LEG OF CLOSURE ANGLE. OPTION: INSTALL "BERC 2" PRE-ENGINEERED CEILING SYSTEM AS MANUFACTURED BY ARMSTRONG. INST/FER MANUFACTURERS SPECIFICATIONS.
- 12 SPLAY WIRES ARE TO BE WITHIN 2" OF THE CONNECTION OF THE VERTICAL STRUT TO SUSPENDED CEILING.
- 13 VERTICAL STRUTS MUST BE POSITIVELY ATTACHED TO THE SUSPENSION SYSTEMS AND THE STRUCTURE ABOVE.
- 14 SPRINKLER HEADS AND OTHER PENETRATIONS THROUGH THE CEILING SHALL HAVE 2" OVERSIZED RING SLEEVE OR ADAPTER TO ALLOW FOR MOVEMENT INDEPENDENT OF THE CEILING FOR AT LEAST 1" IN ALL HORIZ. DIRECTIONS.
- 15 THE CONTRACTOR'S SUPERINTENDENT OR OTHER QUALIFIED PROFESSIONAL SHALL INSPECT THE COMPLETED SUSPENSION CEILING SYSTEM FOR COMPLIANCE W/ THE PERMIT DOCUMENTS PRIOR TO INSTALLATION OF THE CEILING TILES.



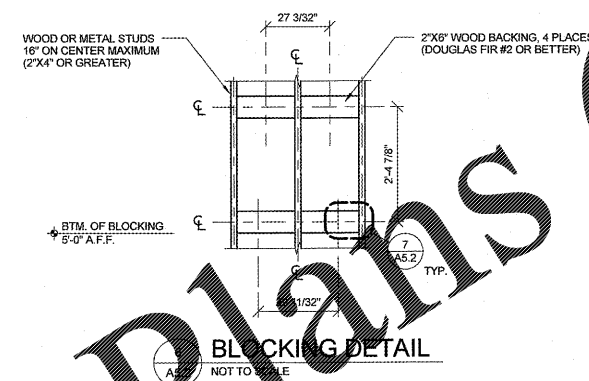
1 RECEPTION ACCESS. CHECK-IN
A5.2 NOT TO SCALE



4 BREAK ROOM TABLE
A5.2 NOT TO SCALE

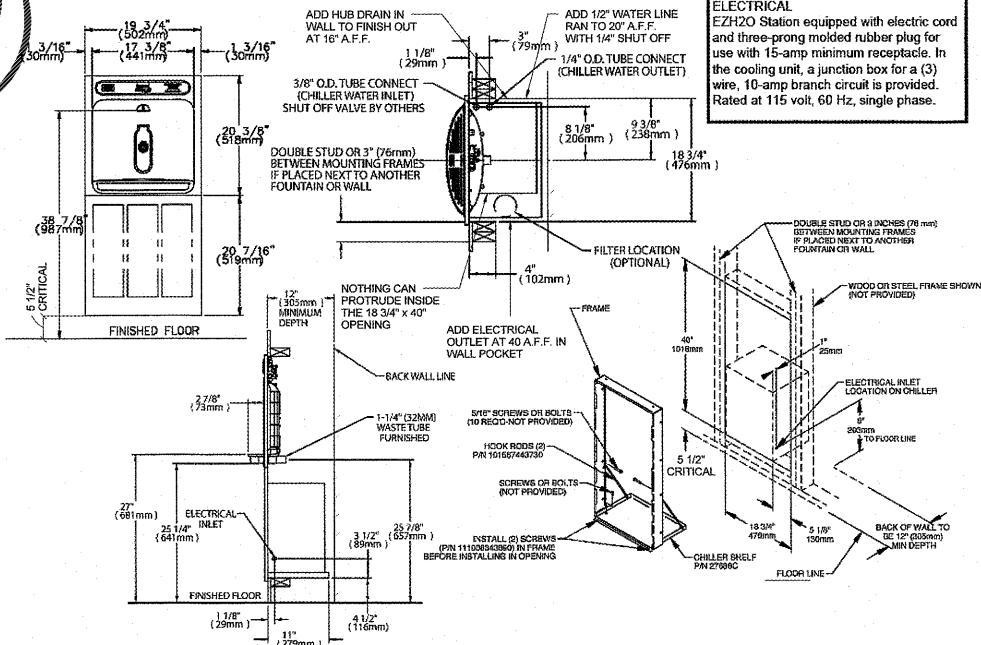


2 RECEPTION STAND UP CHECK-IN
A5.2 NOT TO SCALE

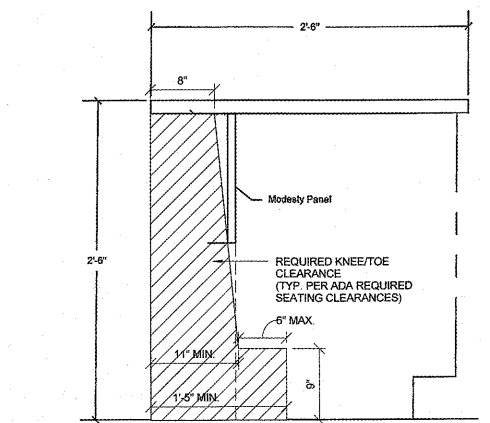


7 BLOCKING DETAIL
A5.2 NOT TO SCALE

ROUGH-IN DIMENSIONS



5 BOTTLE FILLING STATION DETAIL
A5.2 NOT TO SCALE



3 BUSINESS OFFICE SIT DOWN CHECK-OUT
A5.2 NOT TO SCALE

Order Plans

EXCEL
ENGINEERING and
ARCHITECTURE, P.C.
100 CAMELOT DRIVE
FOND DU LAC, WI 54935
PHONE: (920) 926-9800
WWW.EXCELENGINEER.COM

COLLABORATION
AspenDental

PROJECT INFORMATION
PROJECT NUMBER 1712680

TENANT BUILD-OUT FOR:
ASPEN DENTAL
3070 WILLIAM ST. • CAPE GIRARDEAU, MO 63703

PROFESSIONAL SEAL
STATE OF MISSOURI
NATHANIEL J. REYNOLDS
NUMBER 2018040042
ARCHITECT

SHEET DATES
SHEET ISSUE JUNE 1, 2017
REVISIONS

SHEET INFORMATION
DETAILS
SHEET NUMBER
A5.2

REVIEWED FOR
CODE COMPLIANCE
JAN 05 2018
RETAIN AT JOB SITE
Approved by: [Signature]
CITY OF CAPE GIRARDEAU, Inspection Services