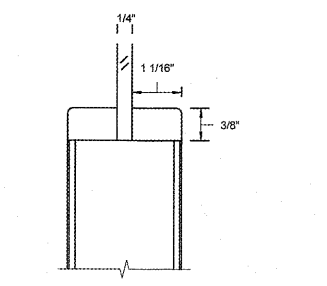
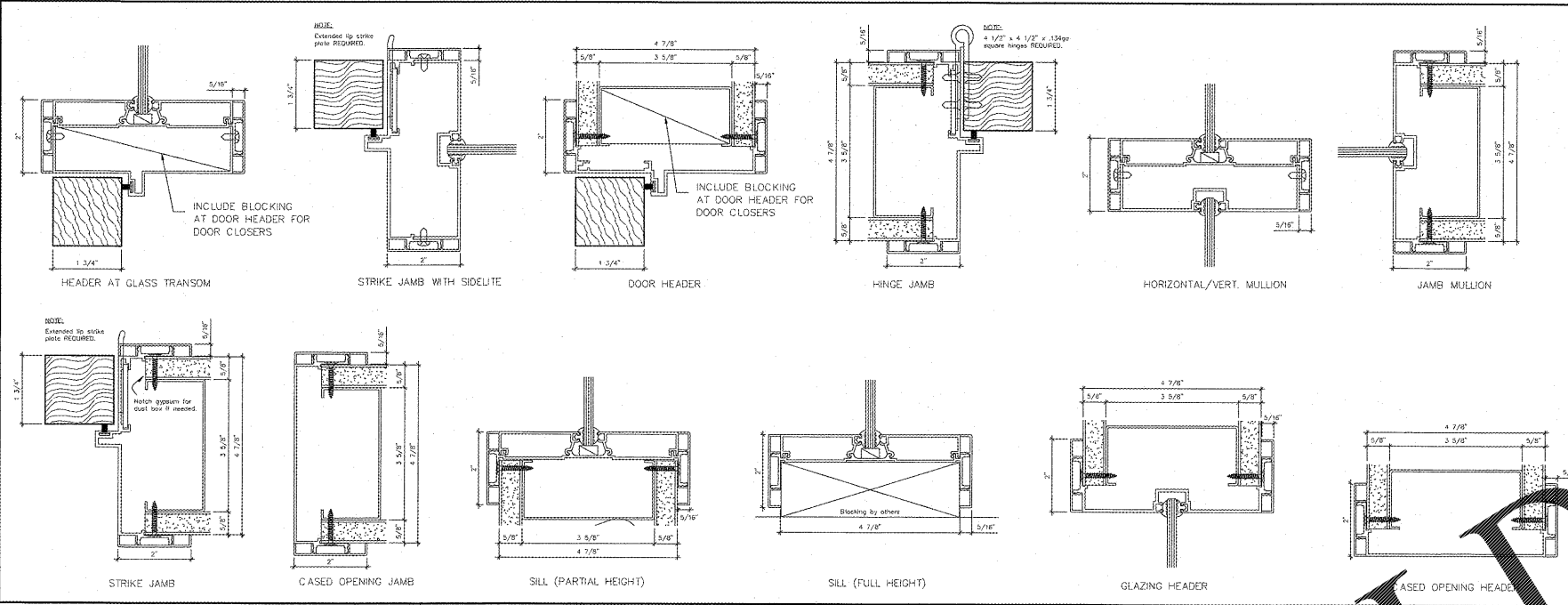


WILSON PARTITIONS FRAME DETAILS



WOOD FLUSH MOULDING
A3.0 NOT TO SCALE

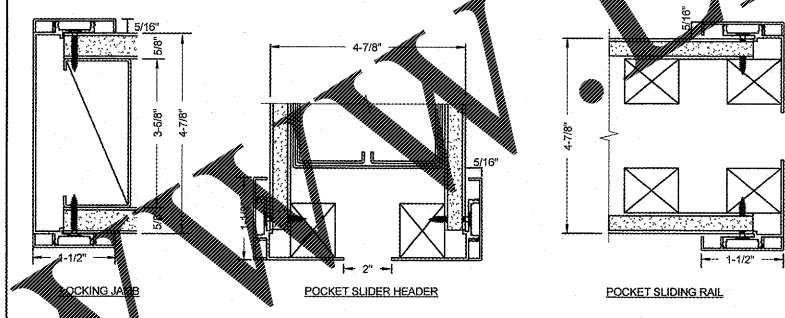
GLAZING SCHEDULE

GLAZING SHALL MEET THE FOLLOWING STANDARDS AND GUIDELINES AS APPLICABLE FOR EACH TYPE:
 -ASTM E 1300, ASTM C 1036, ASTM C 1048, ASTM E 774
 -GAMA GLAZING MANUAL
 -SIGMA TM-3000 VERTICAL GLAZING GUIDELINES

GL-2: CLEAR FLOAT GLASS, TEMPERED

LITE: TYPE I, CLASS I, QUALITY Q3 FLOAT GLASS, KIND FT (FULLY TEMPERED), CONDITION A, 1/4" THICK

WILSON PARTITIONS POCKET DOOR FRAME DETAILS

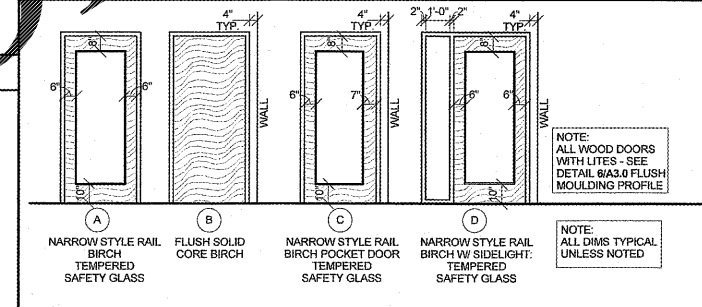


DOOR SCHEDULE

DOOR NUMBER	DOOR SIZE			DOOR TYPE	FINISH	FRAME TYPE	FRAME FINISH	HARDWARE		REMARKS
	WIDTH	HEIGHT	THICKNESS					PASSAGE LOCKSET	PRIVACY LOCKSET	
101	3'-0"	7'-0"	1 3/4"	A	A	A	A	2	•	UNDERCUT 1"
102	3'-0"	7'-0"	1 3/4"	B	A	A	A	2	•	
103	3'-0"	7'-0"	1 3/4"	B	A	A	A	2	•	
109	3'-0"	7'-0"	1 3/4"	A	A	A	A	2	•	
110	3'-0"	7'-0"	1 3/4"	A	A	A	A	2	•	
111	3'-0"	7'-0"	1 3/4"	C	A	A	A	2	•	
112	3'-0"	7'-0"	1 3/4"	D	A	A	A	2	•	
115	3'-0"	7'-0"	1 3/4"	B	A	A	A	2	•	UNDERCUT 1"
116	3'-0"	7'-0"	1 3/4"	B	A	A	A	2	•	
117	3'-0"	7'-0"	1 3/4"	B	A	A	A	2	•	
118	3'-0"	7'-0"	1 3/4"	D	A	A	A	2	•	

DOOR REMARKS:
 1. SLIDING POCKET DOOR KIT TO BE HAZARDOUS MATERIAL DOOR KIT. HARDWARE TO BE STANDARD HEAVY DUTY TRACK WITH ALL HARDWARE FINISHES AS NOTED IN SCHEDULE (826)
 2. PROVIDE (2) EQ. SIZE SLIDING DOOR LEVER FOR OPENING. SIZE SHOWN IN SCHEDULE REFERS TO FINISHED SIZE. DOOR SUPPLIER TO PROVIDE RECOMMENDED ADA COMPLIANT DOOR HARDWARE & ACCESSORIES. DOORS SHALL BE OPERABLE FROM BOTH SIDES WHEN DOOR IS OPEN, PER ANSI 404.2.6. FLUSH PULL CUPS, HAGAR 2830 US26D OR EQ.
 3. (DOOR HARDWARE SHALL BE CAPABLE OF OPERATION WITH THE USE OF ONE (1) HAND AND SHALL NOT REQUIRE TIGHT GRASPING, TIGHT GRASPING OR WRISTING OF THE WRIST TO OPERATE. THUMB TURN DEADBOLTS ARE PROHIBITED IN INTERIOR. IF PROVIDED EXTERIOR (PER 1008.1.9.3 SUB 2.2) PROVIDE REDILY VISIBLE PERMANENT SIGNAGE ON ADJACENT TO DOOR SWAGING. THIS DOOR TO REMAIN UNLOCKED WHEN BUILDING IS OCCUPIED - SEE SHEET A5.0 FOR SIGN DETAILS. LEVER OR PADDLE DEADBOLTS RELEASES ARE ACCEPTABLE. DOOR THRESHOLD SHALL NOT EXCEED 1/2" IN HEIGHT. THRESHOLDS EXCEEDING 1/4" IN HEIGHT SHALL HAVE A 1/2 BEVEL. DOOR CLOSERS SHALL MEET OPERATING FORCE AND SWEEP PERIOD REQUIREMENTS.)
 4. PROVIDE TACTILE SIGNAGE AT ALL EXIT DOORS - SEE SHEET A5.0

DOOR TYPES



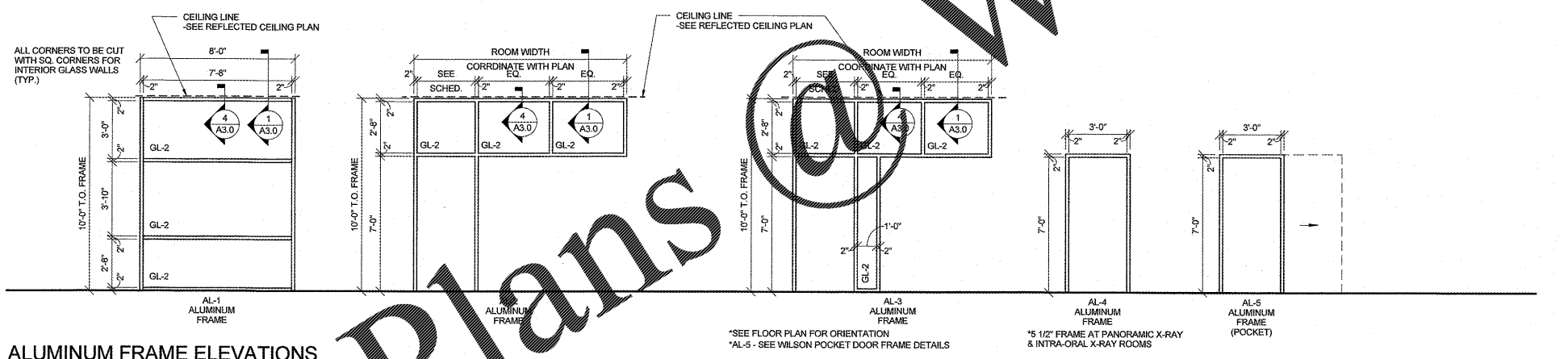
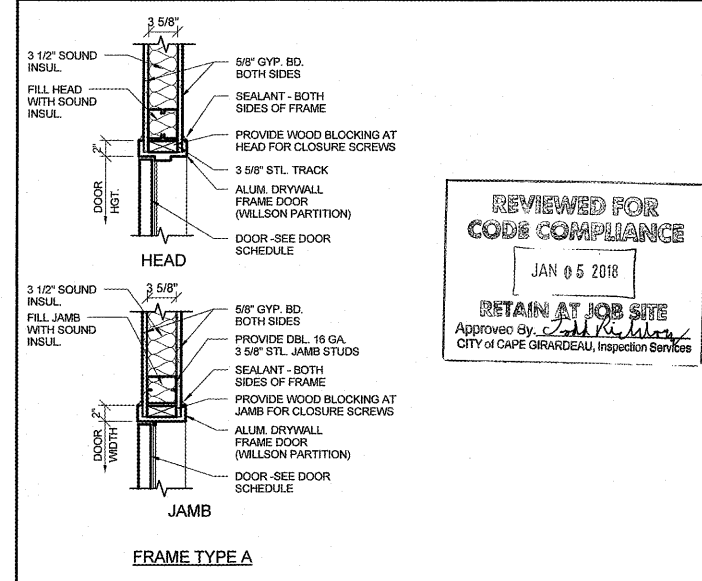
DOOR/FRAME TYPE SPECIFICATIONS
 FRAMES: WILSON PARTITIONS ALUMINUM FRAME OR EQUAL (SEE DOOR SCHEDULE ABOVE FOR DOOR SIZES)
 WILSON PARTITIONS ALUMINUM FRAME WITH 12" SIDELITE OR EQUAL (SEE DOOR SCHEDULE ABOVE FOR DOOR SIZES)
 DOORS: MOHAWK DOOR; (SEE DOOR SCHEDULE ABOVE FOR SIZES & A6.1 FOR DOOR FINISHES)
 -TYPE: VENEER 5, ROTARY BIRCH SELECT WHITE, CLEAR COAT - DOORS TO BE FACTORY PRE-FINISHED

HARDWARE TYPES

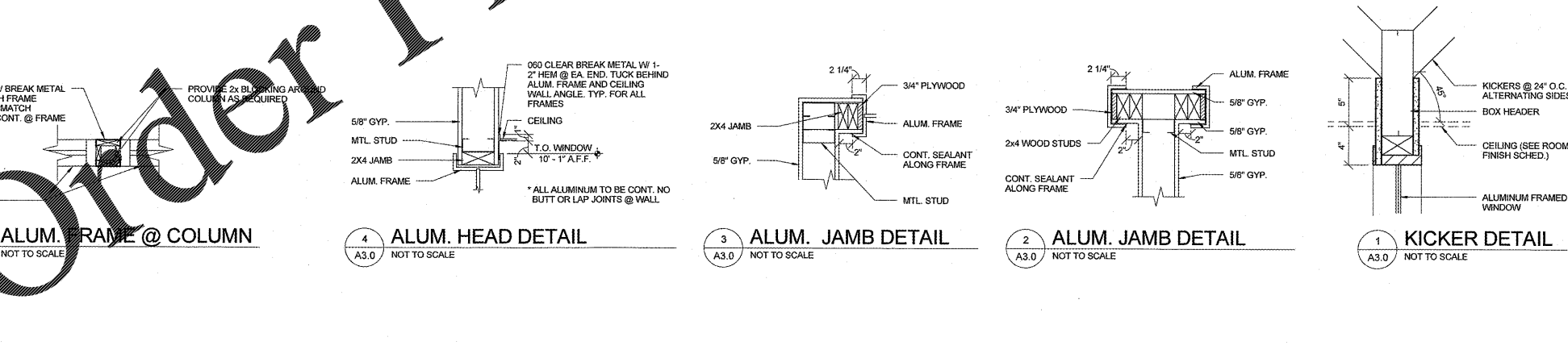
<p>SET 1 HAGAR 3600 SERIES WITHNELL LEVER HINGES: MCKINNEY, MPB78 CLOSER: HAGAR 5200 US26D WALL STOP: ROCKWOOD 408US26D</p>	<p>SET 3 HAGAR 3600 SERIES WITHNELL LEVER HINGES: MCKINNEY, MPB78 4 1/2" x 4 1/2", 1 1/2 PAIR PER DOOR WALL STOP: ROCKWOOD 408US26D</p>
<p>SET 2 HAGAR 3600 SERIES WITHNELL LEVER HINGES: MCKINNEY, MPB79 4 1/2" x 4 1/2", 1 1/2 PAIR PER DOOR CLOSER: HAGAR 5200 US26D WALL STOP: ROCKWOOD 408US26D GENDER SIGN (SEE SHEET A5.0)</p>	<p>SET 4 LATCHSET: HAGAR 330D X US26 D DOOR KIT: HAGAR 9630 HEAVY DUTY POCKET DOOR KIT DOOR FRAME: JOHNSON HARDWARE 153070PF</p>

HARDWARE NOTES:
 1. CONTRACTOR TO SUBMIT DETAILED HARDWARE SCHEDULE WITH COMPLETE CUT-SHEETS TO OWNER FOR FINAL APPROVAL.
 2. HAGAR 3600 SERIES WITHNELL ADA LEVER TYPE HARDWARE.
 3. ALL LOCKSETS TO BE US26D FINISH.
 4. EXTERIOR HARDWARE AS SELECTED BY OWNER TO BE HAGAR 4500 SERIES WITH 45NLL OUTSIDE TRIM IS US26D FINISH OR EQUAL. DEADBOLT LOCK IF REQUIRED SHALL BE OPERATED BY KEY OUTSIDE AND THUMBTURN INSIDE (EXT. DOOR LOCATIONS ONLY). REUSE EXISTING IF APPLICABLE.
 5. ALL CLOSERS NOTED IN HARDWARE SETS ABOVE TO BE MOUNTED ON INTERIOR ROOM SIDE.

FRAME TYPES



ALUMINUM FRAME ELEVATIONS



ALUM. FRAME @ COLUMN NOT TO SCALE
ALUM. HEAD DETAIL A3.0 NOT TO SCALE
ALUM. JAMB DETAIL A3.0 NOT TO SCALE
ALUM. JAMB DETAIL A3.0 NOT TO SCALE
KICKER DETAIL A3.0 NOT TO SCALE

EXCEL ENGINEERING and ARCHITECTURE, P.C.
 100 CAMMELT DRIVE
 FOND DU LAC, WI 54935
 PHONE: (920) 926-9800
 WWW.EXCELENGINEER.COM

AspenDental

PROJECT INFORMATION
 PROJECT NUMBER 1712680

TENANT BUILD-OUT FOR:
ASPEN DENTAL
 3070 WILLIAM ST. • CAPE GIRARDEAU, MO 63703

PROFESSIONAL SEAL

SHEET DATES
 SHEET ISSUE JUNE 1, 2017
 REVISIONS

SHEET INFORMATION
 DOOR SCHEDULE, ELEVATIONS, & DETAILS
 SHEET NUMBER
A3.0