

THREE (3) 2DI MOBIL ACM LOGO BOX CANOPY SIGNS.
 POLYCARBONATE LETTER SETS MOUNTED TO ACM BOX. BOXES TO BE INTERNALLY ILLUMINATED W/ WHITE LEADS.

NOTE: CANOPY SIGNS & LAYOUT TO BE APPROVED & PROVIDED BY EXXON MOBIL

Front Elevation & Side Mounting Detail - Mobil ACM Logo Box - 2D Canopy Fascia - Sign I

1/2" = 1'-0"

Display Square Footage: (Letter Set) 11.2

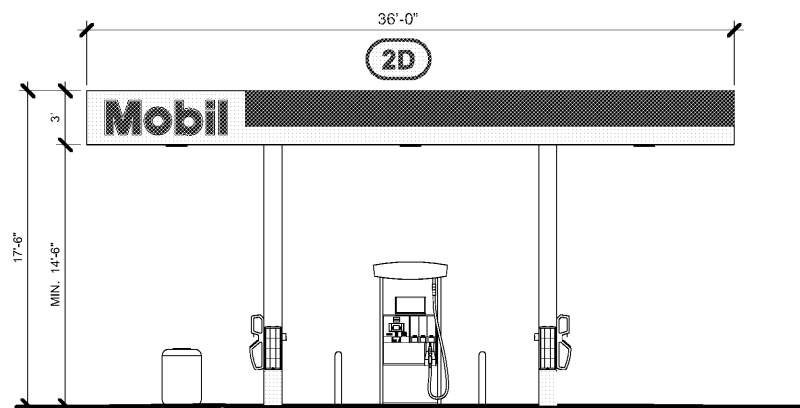
FOUR (4) 2D - NON-ILLUMINATED CANOPY STRIPE.

NOTE: CANOPY SIGNS & LAYOUT TO BE APPROVED & PROVIDED BY EXXON MOBIL

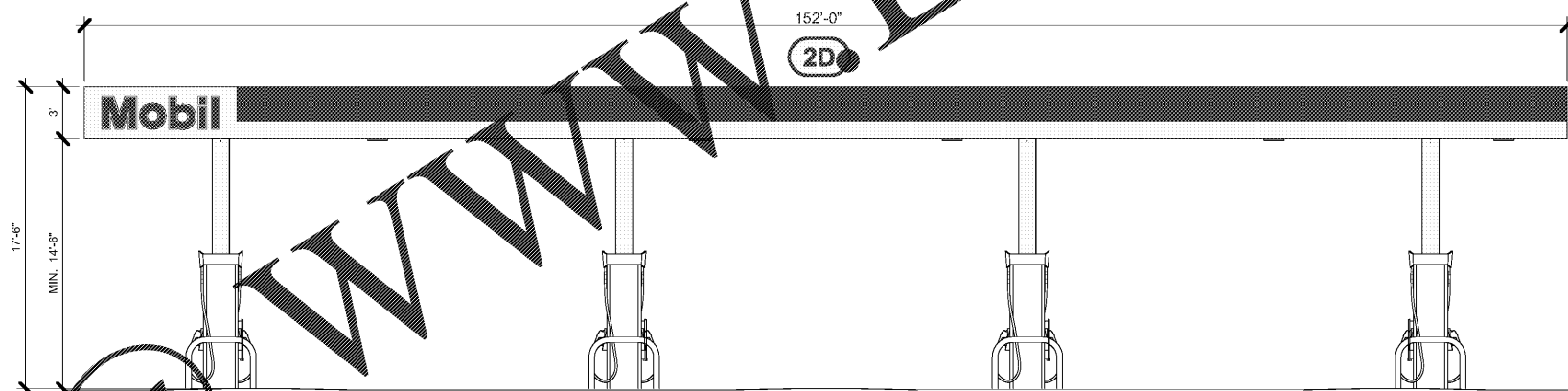
Typical Canopy Sign & LED Illuminated EYE ROW Rail System Layout - Sign I

3/8" = 1'-0"

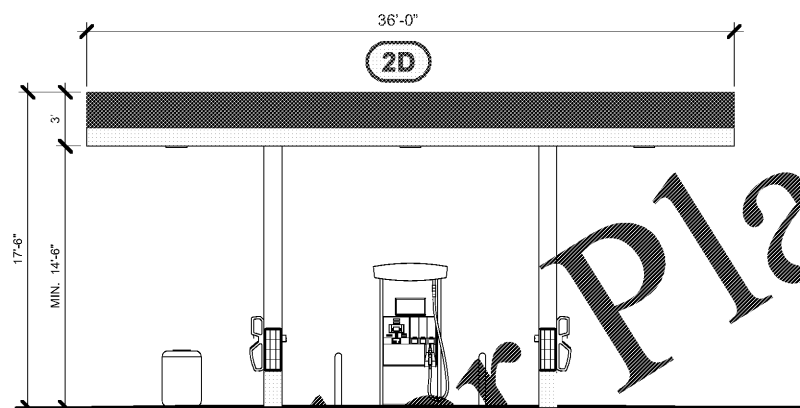
NOTE: PROPOSED ELEVATIONS FOR CONCEPT ONLY, SITE SPECIFIC ELEVATIONS TO BE PROVIDED IF NEEDED



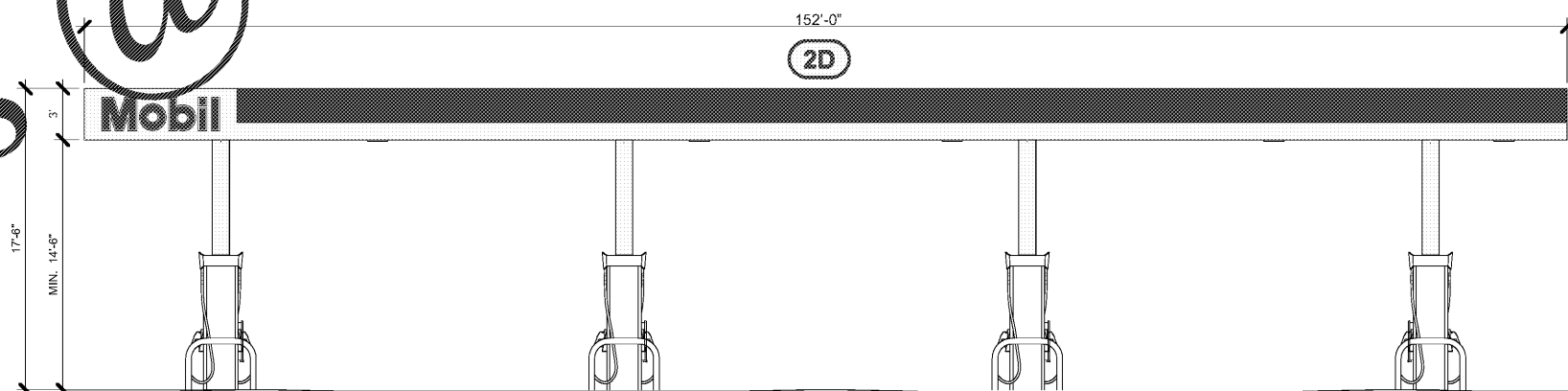
EAST ELEVATION: 2D-CANOPY STRIPE 11.2 SQFT



SOUTH ELEVATION: 2D-CANOPY STRIPE



WEST ELEVATION: 2D-CANOPY STRIPE 11.2 SQFT



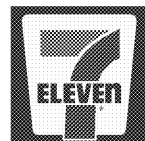
NORTH ELEVATION: 2D-CANOPY STRIPE 11.2 SQFT

Canopy Elevations - Sign I

Not to Scale



5300 Shad Road, Jacksonville, FL, 32257 • 904.268.4681
 2301 Ohio Dr, Plano, TX, 32257 • 972.905.9450



7-Eleven #1040219
 Carroll & Dyer Street
 Kissimmee, FL 34741

SVE5722-R4

F:\Customers\7 Eleven\Art
 \SVE5722-R4 #1040219.cdr

date:	rev.	description:	designer:
01.19.17	00	Original Concept	gh
01.20.17	R1	Modify canopy concept depiction to show eight pumps	gh
02.23.17	R2	Add mobil & synergy to monument and canopy	bw
03.03.17	R3	Updated with new site plan	bw
08.17.14	R4	New site plan, remove carwash	gh

Salesperson: rg

PM: mc

Designer: gh

Page: 6

customer approval

date:



Complies with
 UL 48
 CSA C22.2 No.287

THE SIGNS ON THESE PAGES HAVE BEEN DESIGNED TO MEET OR EXCEED ALL APPLICABLE CODES OR REQUIREMENTS OF THE NEC-2014 AND OR THE 2014 FBC AND OR THE 2007 SFBC