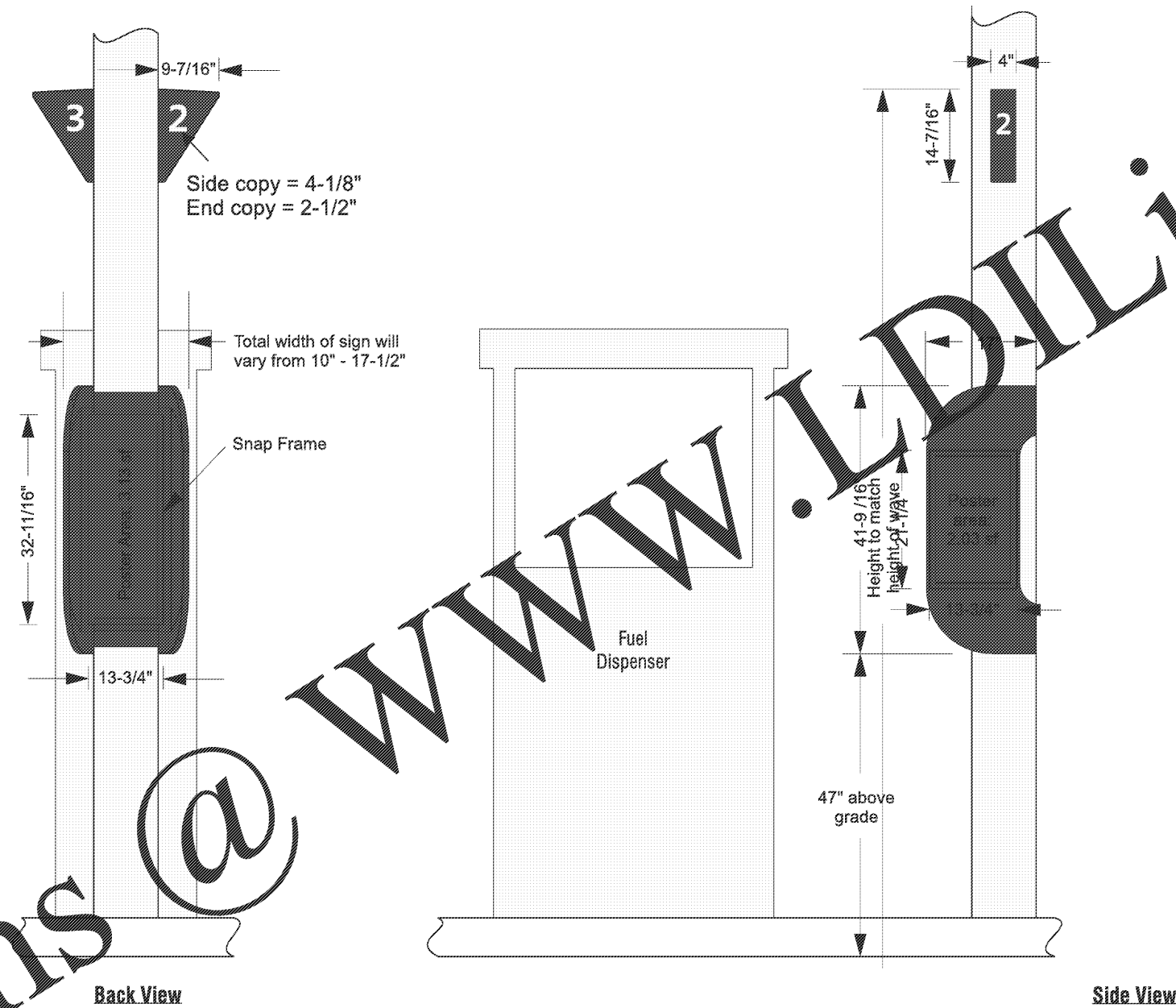


TYPICAL SYNERGY FORECOURT IMAGE IS SHOWN FOR CONCEPT ONLY

ALL ILLUSTRATIONS ARE SUBJECT TO CHANGE PENDING, SURVEY/CANOPY ELEVATIONS, CODE COMPLIANCE, SITE SPECIFIC XOM SUPPLIED ILLUSTRATIONS



PUMP ID PANELS (WEDGES)
INSTRUCTION PANELS

Face & Side Detail - Pump ID & Instructions Panels - RE-B 3 & 4
1" = 1'-0"

harbinger.
sign of the future



7-Eleven #1040219
Carroll & Dyer Street
Kissimmee, FL 34741

SVE5722-R4

F:\Customers\7 Eleven\Art
\SVE5722-R4 #1040219.cdr

date	rev.	description	designer
01.19.17	00	Original Concept	gh
01.20.17	R1	Modify canopy concept depiction to show eight pumps	ah
02.23.17	R2	Add mobil & synergy to monument and canopy	bw
03.03.17	R3	Updated with new site plan	bw
08.17.14	R4	New site plan, remove carwash	gh

Salesperson: rg PM: mc Designer: gh Page: 10

customer approval _____ date: _____



Complies with
UL 48
CSA C22.2 No.287

THE SIGNS ON THESE PAGES HAVE BEEN DESIGNED TO MEET OR EXCEED ALL APPLICABLE CODES OR REQUIREMENTS OF THE NEC-2014 AND OR THE 2014 FBC AND OR THE 2007 SFBC