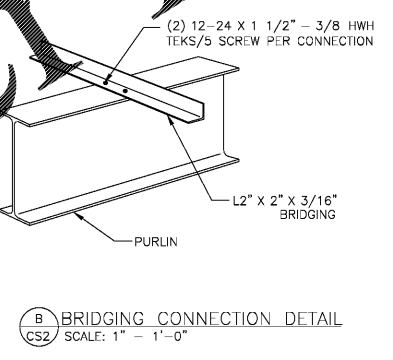
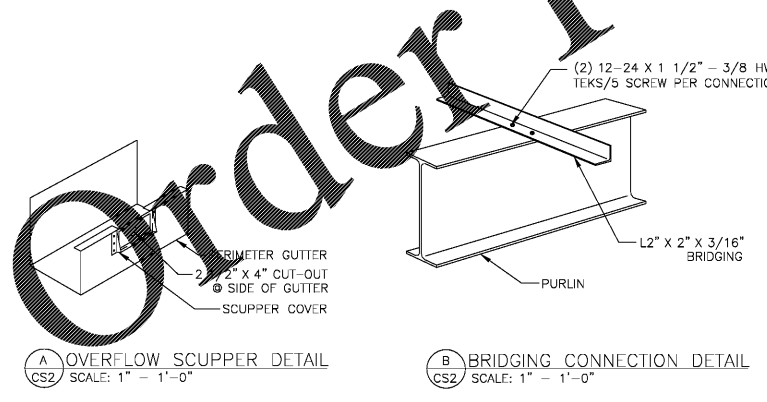
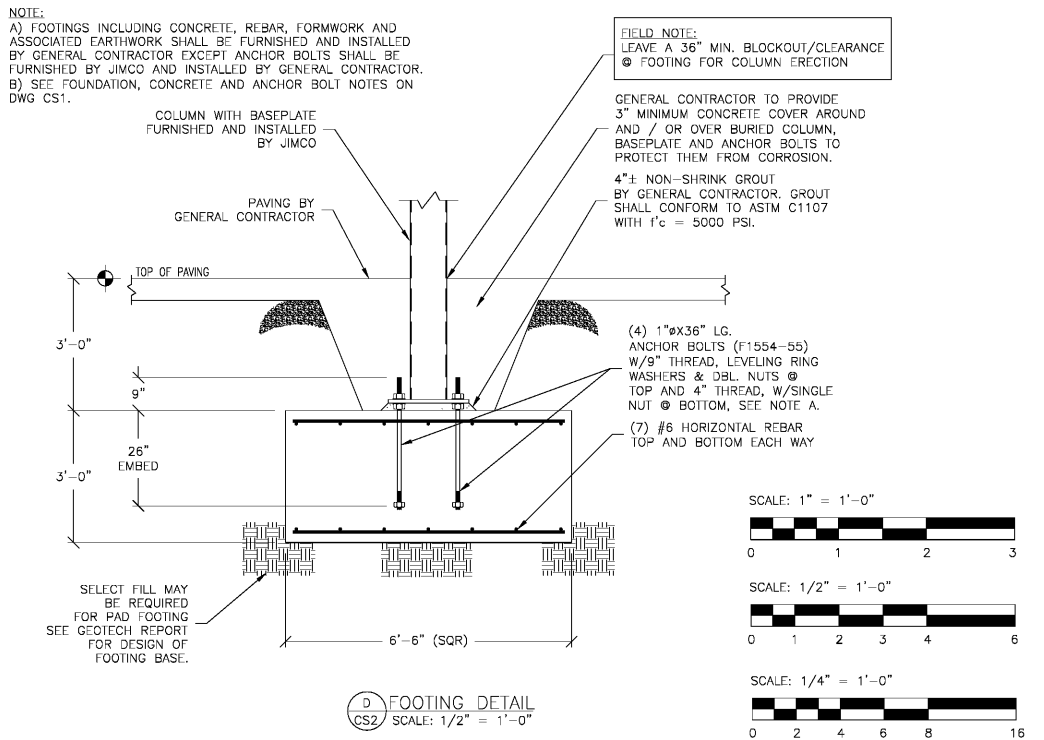
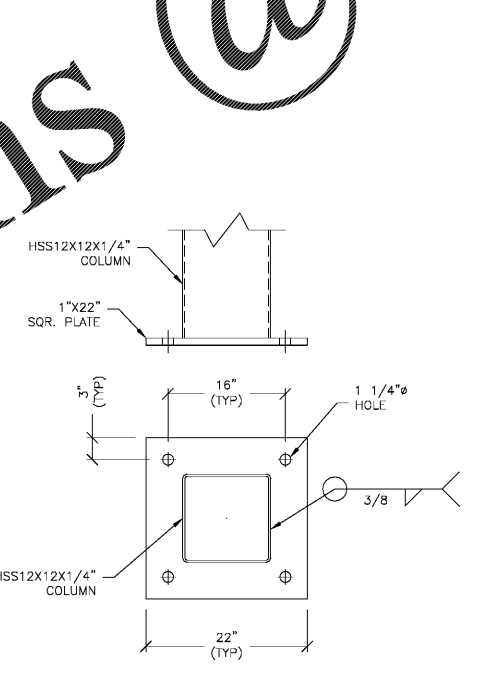
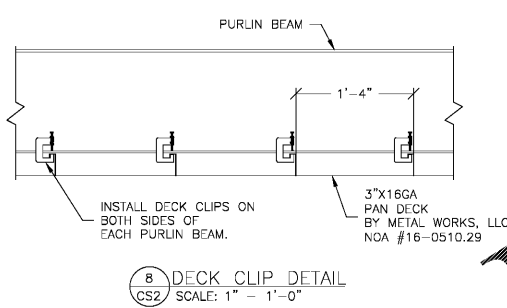
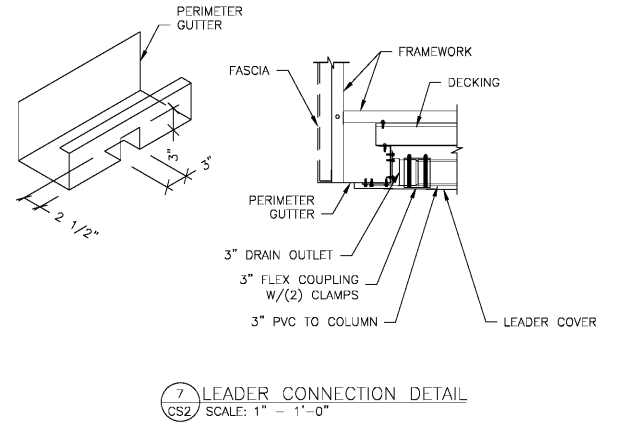
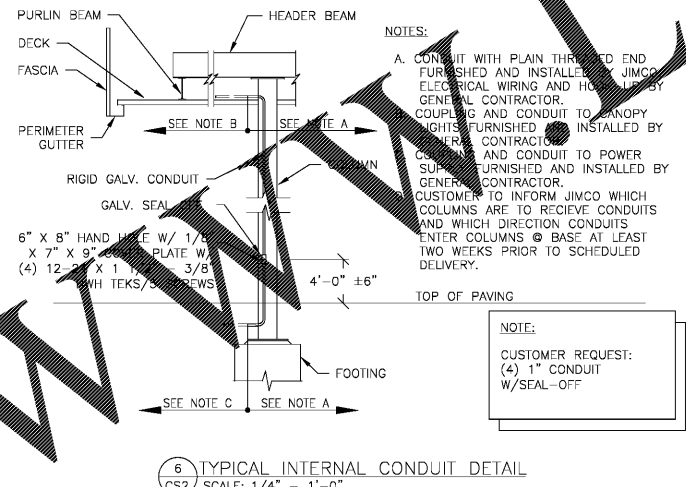
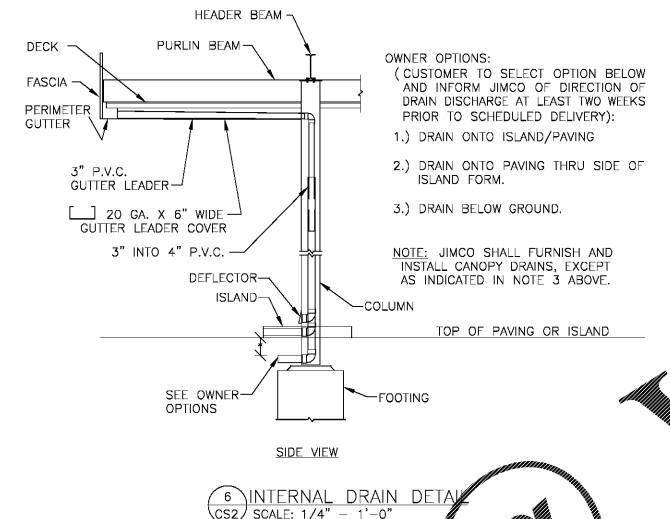
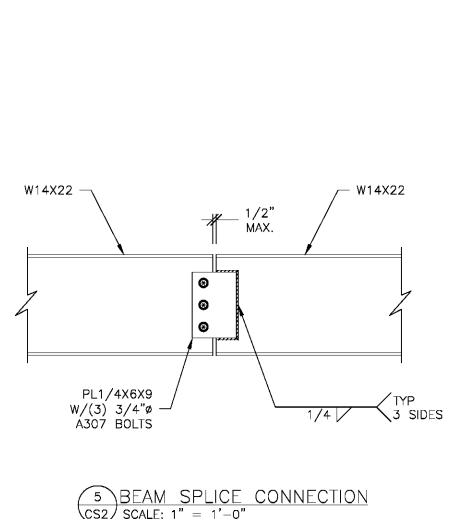
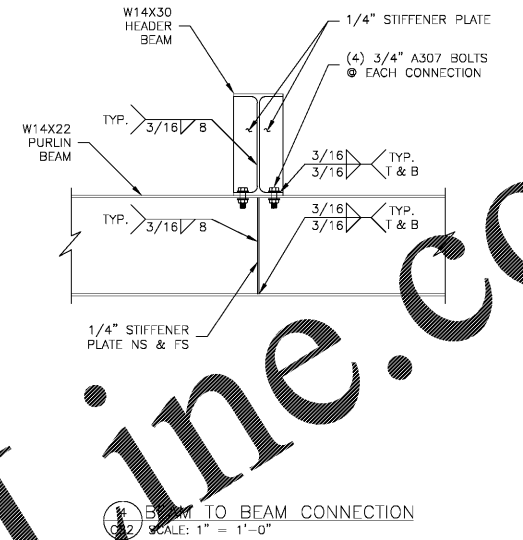
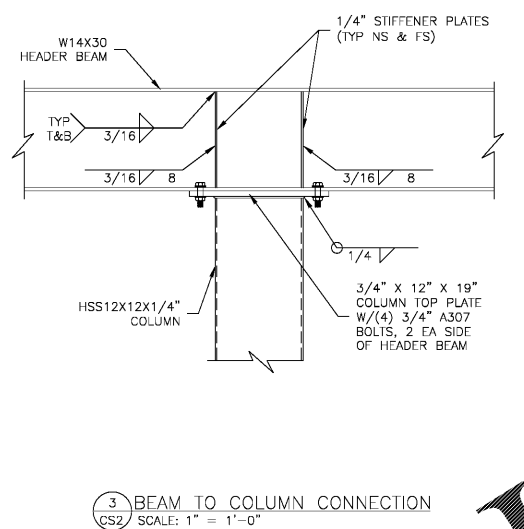
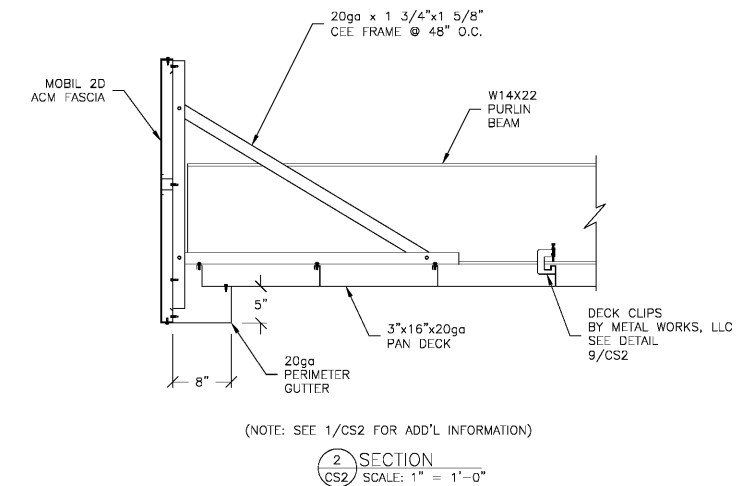
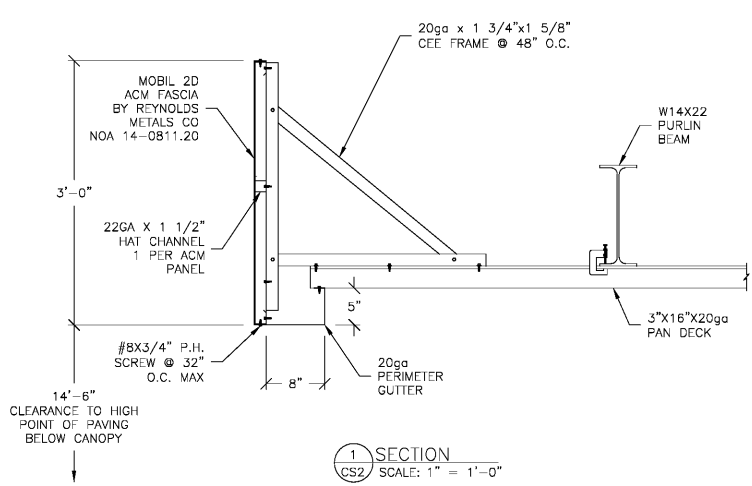


www.dilline.com



INFINITY

INFINITY ENGINEERING GROUP, LLC

1208 E. Kennedy Boulevard
Suite 230
Tampa, FL 33602
[p]: 813.434.4770
[f]: 813.445.4211
www.iegroup.net
Cert. of Auth. No. 27889

NISIT SAPPARKHAO, P.E.
FL REG. NO. 64085

<p>Jimco SALES AND MANUFACTURING 3113 St. Louis Ave. Fort Worth, TX (817)924-6173</p>									
DRAWING DESCRIPTION	CANOPY STRUCTURAL SECTIONS AND DETAILS								
JOB LOCATION	7-ELEVEN #38227 SWC CARROLL ST. & DYER BLVD KISSIMMEE, FL								
OWNER	7-ELEVEN, INC - CYPRESS WATERS								
REVISIONS	<table border="1" style="width: 100%; border-collapse: collapse;"> <tr> <th>NO.</th> <th>DESCRIPTION</th> <th>DATE</th> <th>BY</th> </tr> <tr> <td> </td> <td> </td> <td> </td> <td> </td> </tr> </table>	NO.	DESCRIPTION	DATE	BY				
NO.	DESCRIPTION	DATE	BY						
CUSTOMER	<table border="1" style="width: 100%; border-collapse: collapse;"> <tr> <td style="width: 50%;">DRAWN BY: R. LAUER</td> <td style="width: 50%;">CHECKED BY: N. SAPPARKHAO</td> </tr> <tr> <td style="width: 50%;">DATE: 12-04-2017</td> <td style="width: 50%;">DATE: </td> </tr> </table>	DRAWN BY: R. LAUER	CHECKED BY: N. SAPPARKHAO	DATE: 12-04-2017	DATE:				
DRAWN BY: R. LAUER	CHECKED BY: N. SAPPARKHAO								
DATE: 12-04-2017	DATE:								
JOB NO.	17-3564R0								
DWG. NO.	CS2								
OF 2 SHEETS									

Order Plans @