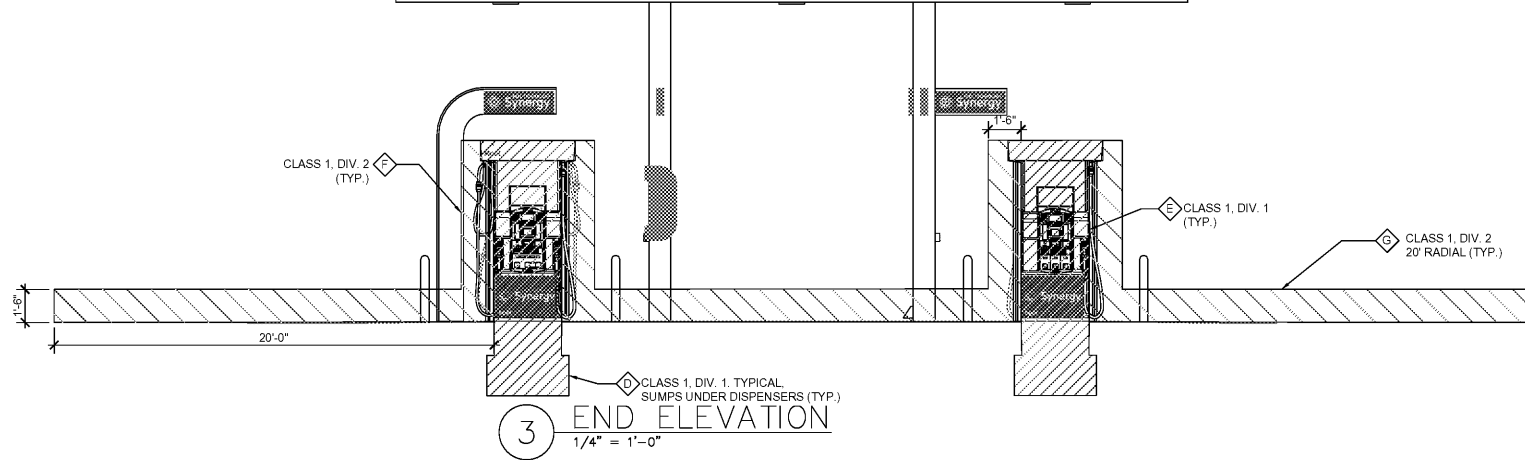
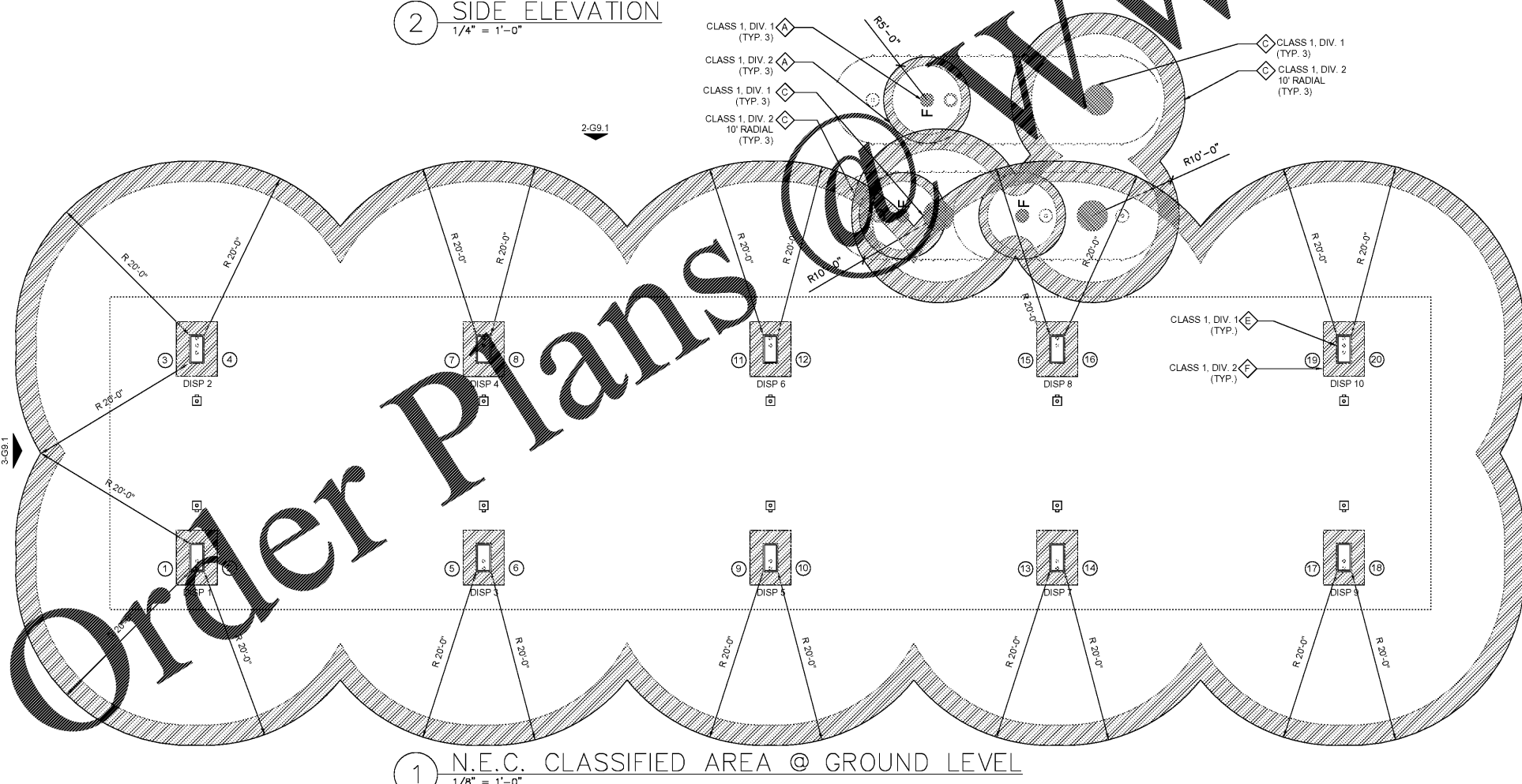
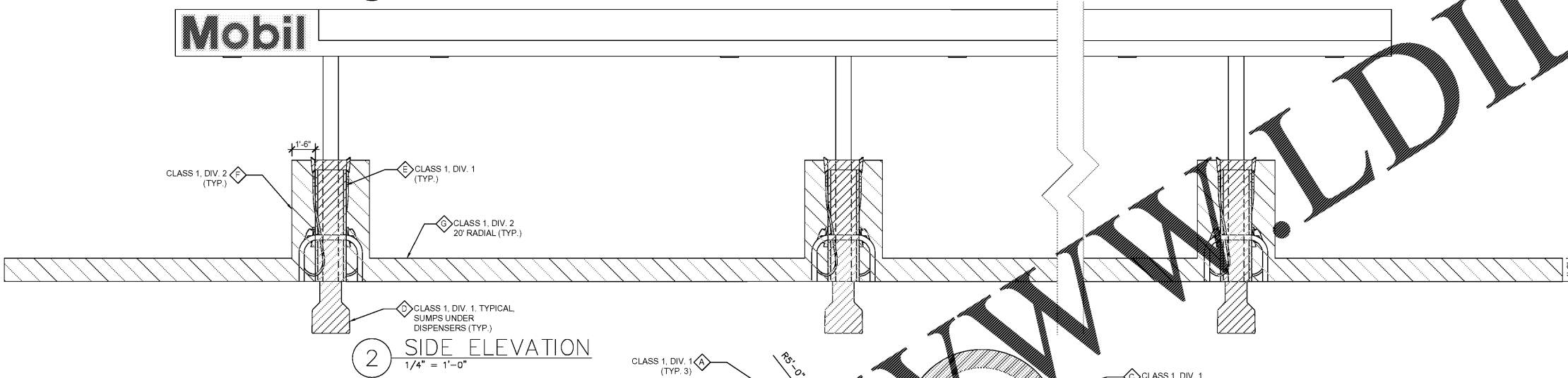


Mobil



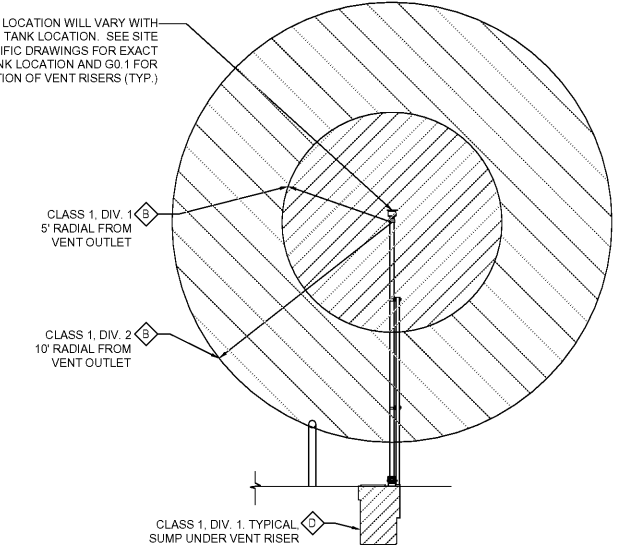
Mobil



N.E.C. HAZARDOUS AREA NOTES

- A** TYPICAL N.E.C. ARTICLE 514 CLASS 1 LOCATION (UNDERGROUND TANK - FILL OPENING)
EXTENT OF CLASS 1, GROUP D, DIVISION 1 LOCATION:
ANY PIT, BOX, OR SPACE BELOW GRADE LEVEL, ANY PART OF WHICH IS WITHIN THE DIVISION 1 OR 2 CLASSIFIED LOCATION.
EXTENT OF CLASS 1, GROUP D, DIVISION 2 LOCATION:
UP TO 18 INCHES ABOVE GRADE LEVEL WITHIN A HORIZONTAL RADIUS OF 10 FEET FROM A LOOSE FILL CONNECTION AND WITHIN A HORIZONTAL RADIUS OF 5 FEET FROM A TIGHT FILL CONNECTION.
- B** TYPICAL N.E.C. ARTICLE 514 CLASS 1 LOCATION (UNDERGROUND TANK - VENT DISCHARGING UPWARD)
EXTENT OF CLASS 1, GROUP D, DIVISION 1 LOCATION:
WITHIN 5 FEET OF OPEN END, EXTENDING IN ALL DIRECTIONS.
EXTENT OF CLASS 1, GROUP D, DIVISION 2 LOCATION:
SPACE BETWEEN 5 FEET AND 10 FEET OF OPEN END, EXTENDING IN ALL DIRECTIONS.
- C** TYPICAL N.E.C. ARTICLE 514 CLASS 1 LOCATION (REMOTE PUMP - UNDERGROUND TANK)
EXTENT OF CLASS 1, GROUP D, DIVISION 1 LOCATION:
ANY PIT, BOX, OR SPACE BELOW GRADE LEVEL IF ANY PART IS WITHIN A HORIZONTAL DISTANCE OF 10 FEET FROM ANY EDGE OF PUMP.
EXTENT OF CLASS 1, GROUP D, DIVISION 2 LOCATION:
UP TO 18 INCHES ABOVE GRADE LEVEL WITHIN 10 FEET HORIZONTALLY FROM ANY EDGE OF PUMP.
- D** TYPICAL N.E.C. ARTICLE 514 CLASS 1 LOCATION (DISPENSING DEVICE - PITS)
EXTENT OF CLASS 1, GROUP D, DIVISION 1 LOCATION:
ANY PIT, BOX, OR SPACE BELOW GRADE LEVEL, ANY PART OF WHICH IS WITHIN THE DIVISION 1 OR 2 CLASSIFICATION LOCATION.
EXTENT OF CLASS 1, GROUP D, DIVISION 2 LOCATION:
SPACE CLASSIFICATION INSIDE THE DISPENSER ENCLOSURE IS COVERED IN ANSI/UL 87, "POWER OPERATED DISPENSING DEVICES FOR PETROLEUM PRODUCTS."
- E** TYPICAL N.E.C. ARTICLE 514 CLASS 1 LOCATION (DISPENSING DEVICE - DISPENSER)
EXTENT OF CLASS 1, GROUP D, DIVISION 1 LOCATION:
SPACE CLASSIFICATION INSIDE THE DISPENSER ENCLOSURE IS COVERED IN ANSI/UL 87, "POWER OPERATED DISPENSING DEVICES FOR PETROLEUM PRODUCTS."
EXTENT OF CLASS 1, GROUP D, DIVISION 2 LOCATION:
WITHIN 18 INCHES HORIZONTALLY IN ALL DIRECTIONS EXTENDING TO GRADE FROM (1) THE DISPENSER ENCLOSURE OR (2) THAT PORTION OF THE DISPENSER ENCLOSURE CONTAINING LIQUID HANDLING COMPONENTS. SPACE CLASSIFICATION INSIDE THE DISPENSER ENCLOSURE IS COVERED IN ANSI/UL 87, "POWER OPERATED DISPENSING DEVICES FOR PETROLEUM PRODUCTS."
- F** TYPICAL N.E.C. ARTICLE 514 CLASS 1 LOCATION (DISPENSING DEVICE - OUTDOOR)
EXTENT OF CLASS 1, GROUP D, DIVISION 2 LOCATION:
UP TO 18 INCHES ABOVE GRADE LEVEL WITHIN 20 FEET HORIZONTALLY OF ANY EDGE OF ENCLOSURE.
- H** TYPICAL N.E.C. ARTICLE 514 CLASS 2 LOCATION (VAPOR PROCESSING SYSTEM)
EXTENT OF CLASS 1, GROUP D, DIVISION 2 LOCATION:
UP TO 18 INCHES ABOVE GRADE LEVEL EXTENDING HORIZONTALLY IN ALL DIRECTIONS OF ANY EDGE OF EQUIPMENT DOWN TO GRADE LEVEL. UP TO 18 INCHES ABOVE GRADE LEVEL WITHIN 10 FEET HORIZONTALLY OF ANY EDGE OF EQUIPMENT.

VENT LOCATION WILL VARY WITH TANK LOCATION. SEE SITE SPECIFIC DRAWINGS FOR EXACT TANK LOCATION AND GO. 1 FOR LOCATION OF VENT RISERS (TYP.)



Job#: SEI-20880.521	Scale: AS NOTED	Date: 12/19/17	Drawn By: JMR	Checked By: KMS
<p>Documents prepared by Core States Group are to be used only for the specific project and not for any other project or intended. Any extension of use to other projects, by owner or any other party, without the consent of Core States Group is done at the user's own risk. If used in a manner not intended, user will hold Core States Group harmless from all claims and losses.</p>				
<p>7-ELEVEN, INC. 3200 HACKBERRY ROAD, IRVING TEXAS 75063</p> <p>7-ELEVEN #38227 S.W. CARROLL ST & DYER BLVD KISSIMMEE, FL 34741</p> <p>N.E.C. CLASSIFIED AREAS</p>				
<p>Core States Group 1700 Industrial Drive, Suite 8 Rogers, AR 72756 Phone: (479) 988-4400 Fax: (479) 988-4401</p>				
<p>PRINTED BY: KSTOUBLE DRAWING NAME: 30227 - 031 N.E.C. CLASSIFIED AREAS PRINT DATE: Dec 19, 2017 - 12:26pm</p>				

Order Plans @ www.LDILine.com

www.LDILine.com