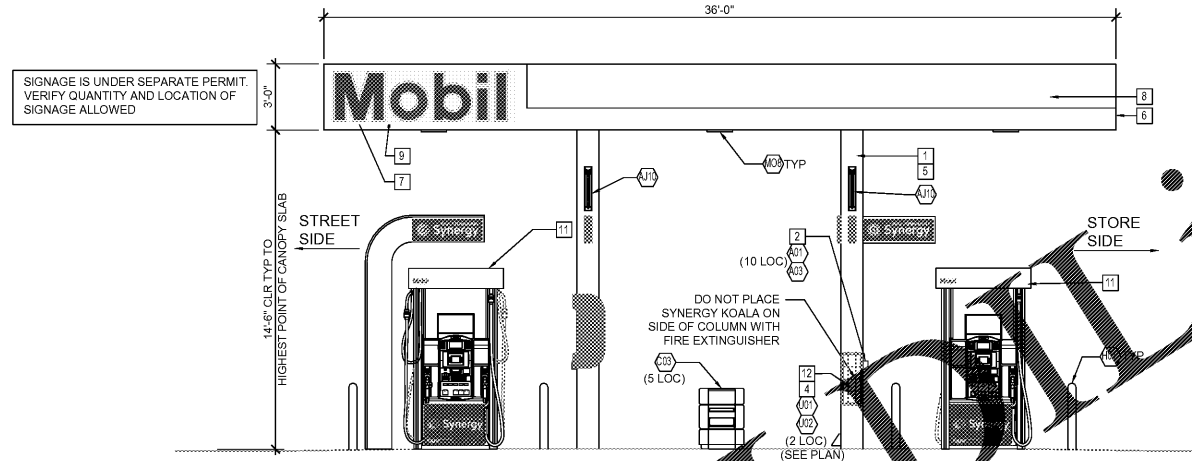
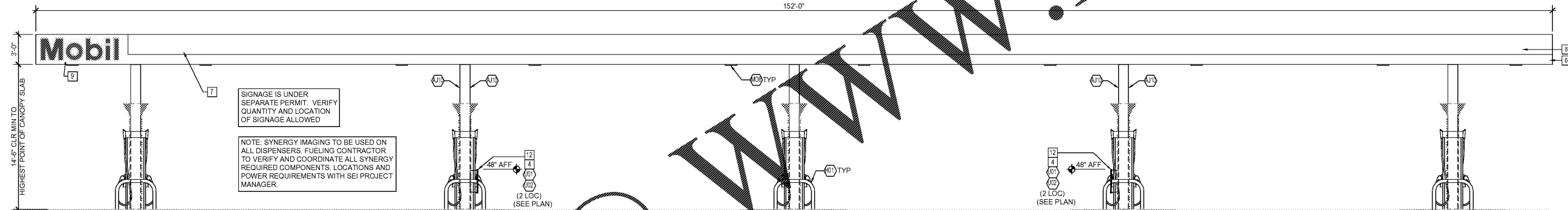


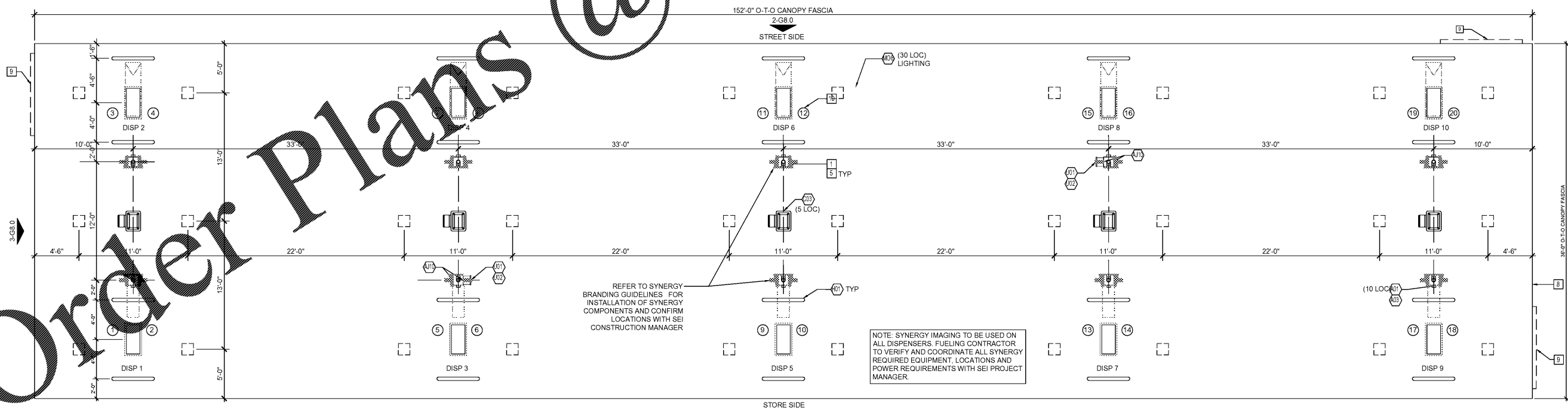
4 CANOPY DRAIN DETAIL
 1/2" = 1'-0"



3 CANOPY END ELEVATION
 1/4" = 1'-0"



2 CANOPY SIDE ELEVATION
 1/4" = 1'-0"



1 FUELING CANOPY PLAN
 1/4" = 1'-0"

GENERAL NOTES

- GRADES AROUND DISPENSERS AND CANOPY TO BE SHOT TO PREVENT PONDING AROUND THE DISPENSERS. CONTRACTOR TO REMOVE AND REPAIR PAVEMENT IF PONDING OCCURS.
- NO CONDUITS OR DOWNSPOUTS ON EXTERIOR OF CANOPY COLUMNS.
- REFER TO GRADING PLAN FOR FINAL ELEVATIONS.

KEY NOTES

- CANOPY COLUMN PER SYNERGY SPECIFICATIONS.
- INTERCOMMUNICATION CALL BOX, MECHANICALLY FASTENED TO COLUMN, MOUNT 48" MAX. ABOVE SLAB TO BUTTON.
- NOT USED
- FIRE EXTINGUISHER - ADA MOUNTING HEIGHT TO BE MAX. 48" FROM GRADE TO FIRE EXTINGUISHER DOWNSPOUT FROM CANOPY (INSIDE THE COLUMN) TO TIE INTO STORM DRAIN WHEN AVAILABLE AND TO DRAIN OUT OF COLUMN PARALLEL TO AND AWAY FROM DISPENSER IN ALL OTHER CASES
- OVERFLOW PROTECTION AS REQUIRED. SEE CANOPY DRAWINGS AND SPECIFICATIONS.
- GASOLINE CANOPY. SEE MANUFACTURER'S DRAWINGS AND SPECIFICATIONS FOR DETAILS OF CONSTRUCTION.
- ACM CANOPY FASCIA WITH MOBIL/SYNERGY BRANDING.
- ILLUMINATED LOGO SIGNS UNDER SEPARATE PERMIT. VERIFY QUANTITY AND LOCATION OF SIGNS ALLOWED.
- FUELING POSITION NUMBER.
- REF 1-G5.0 FOR DISPENSER TYPE
- FIRE EXTINGUISHER CABINET MOUNTED ON SIDE OF COLUMN REF PLAN FOR LOCATION
- REF G7.0 FOR EQUIPMENT TAG DESCRIPTION

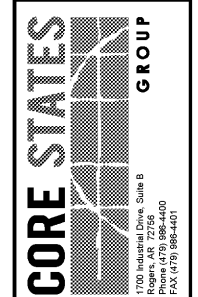
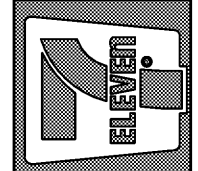
Rev. #	Date	Description

Proto 08-21-17

7-ELEVEN, INC.
 3200 HACKBERRY ROAD, IRVING, TEXAS 75063

7-ELEVEN #38227
 SMC W CARROLL ST & DYER BLVD
 KISSIMMEE, FL 34741

FUELING CANOPY LAYOUT -
 6 STACKED



Job#: SEI-20880.521
 Scale: AS NOTED
 Date: 12/19/17
 Drawn By: RMK
 Checked By: KMS

Documents prepared by Core States Group are to be used only for the specific project and not for any other project. Any extension of use to other projects, by owner or any other party, without the written consent of Core States Group is done at the user's own risk. If used in a manner not intended, user will hold Core States Group harmless from all claims and losses.