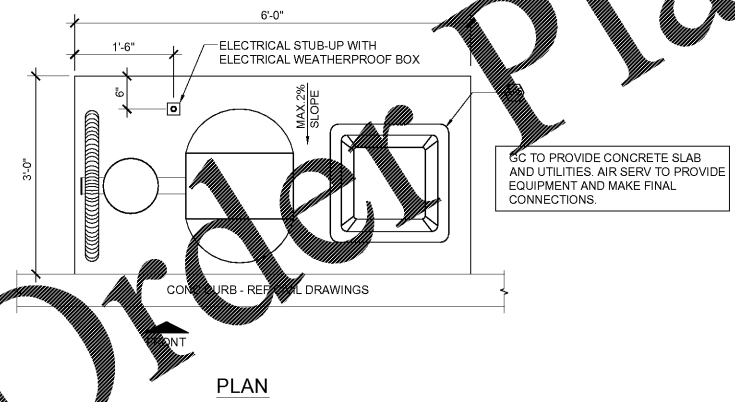
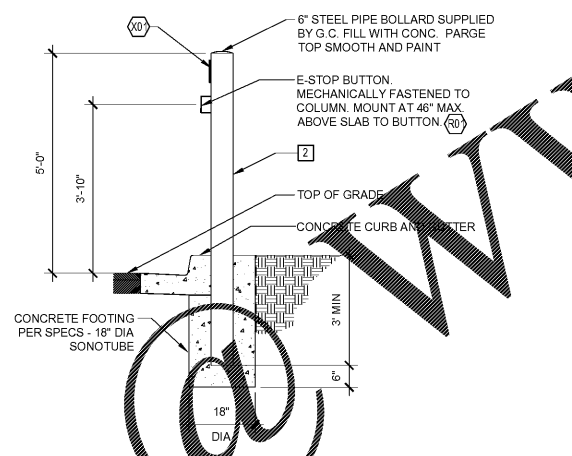


NOTE:
 MAXIMUM 2 PERCENT GRADE SLOPE EACH WAY
 REQUIRED FOR AMERICANS WITH DISABILITIES ACT

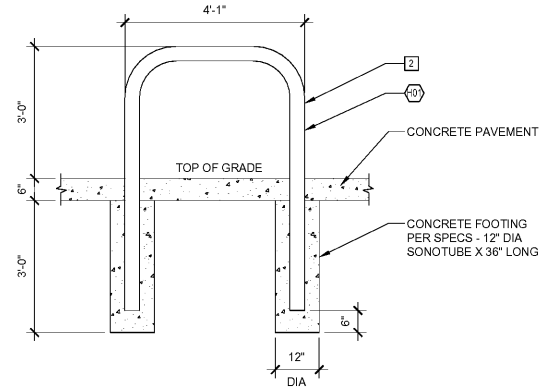
1. ELECTRICAL NEEDS ARE #10 WIRE (30 AMP) WITH GROUND



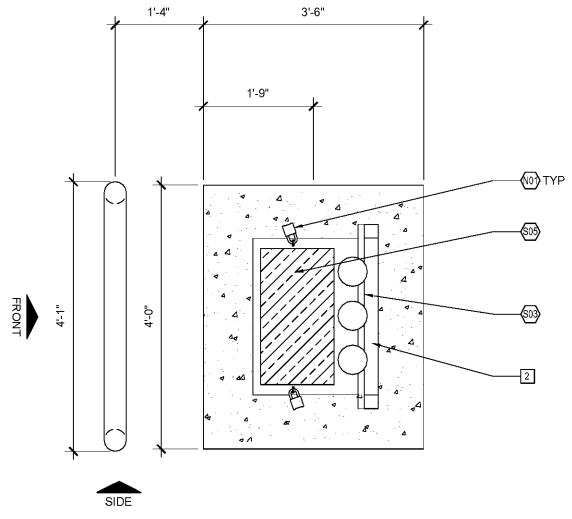
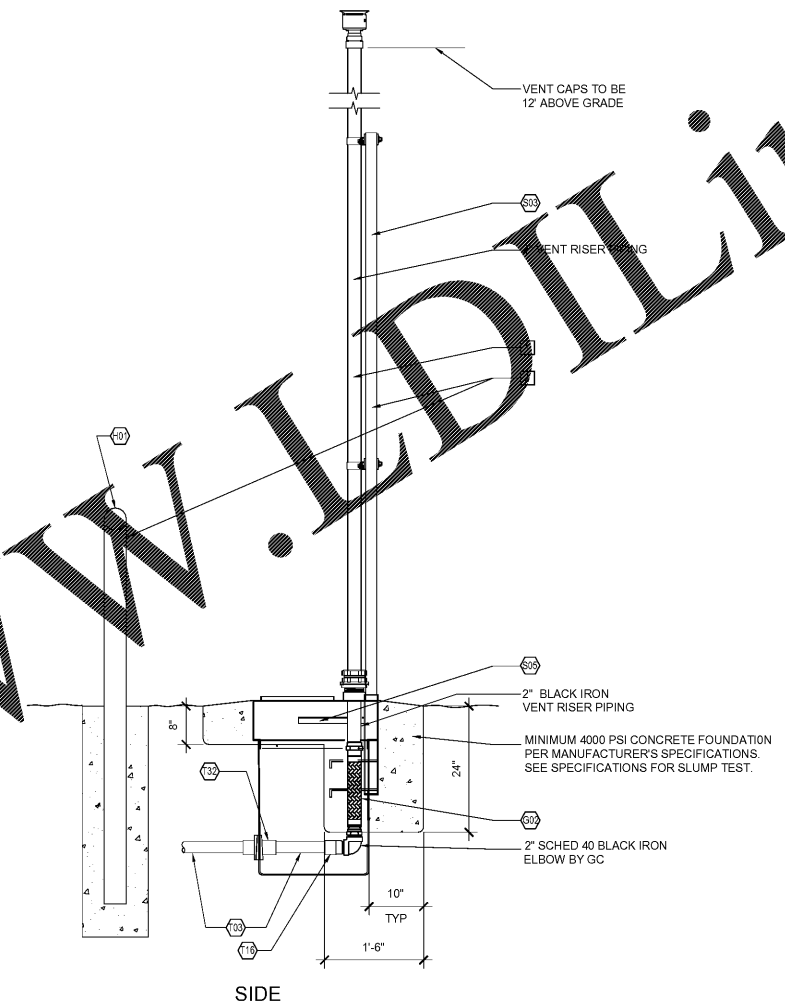
3 AIR-VAC MACHINE DETAILS
 3/4"=1'-0"



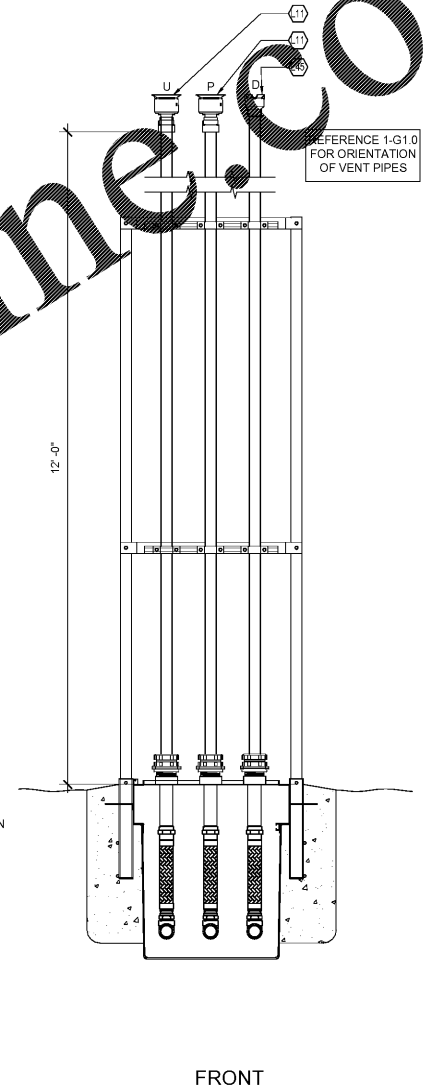
4 6" DIA PIPE BOLLARD DETAIL
 1/2"=1'-0"



2 HOOP BOLLARD DETAIL
 1/2"=1'-0"



1 TANK VENT RISER SECTIONS
 3/4"=1'-0"



FRONT

KEY NOTES

| | |
|---|---|
| 1 | PAIN VENT PIPES PER MOBIL/SYNERGY SPECIFICATIONS. |
| 2 | PAIN VENT RACK, BOLLARDS AND ALL OTHER EXPOSED METALS PER MOBIL/SYNERGY SPECIFICATIONS. |

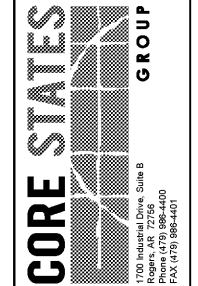
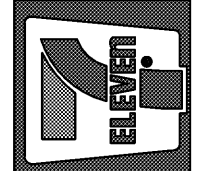
| Rev. # | Date | Description |
|--------|------|-------------|
| | | |

Proto 08-21-17

7-ELEVEN, INC.
 3200 HACKBERRY ROAD, IRVING TEXAS 75063

7-ELEVEN #38227
 SMC W CARROLL ST & DYER BLVD
 KISSIMMEE, FL 34741

REMOTE VENT AND DETAILS



Job#: SEI-20880.521
 Scale: AS NOTED
 Date: 12/19/17
 Drawn By: RMK
 Checked By: KMS

Documents prepared by Core States Group are to be used only for the specific project and no other project. Any extension of use to other projects, by owner or any other party, without the written consent of Core States Group is done at the user's own risk. If used in a project not intended by Core States Group, Core States Group shall not be held liable for any claims and losses.