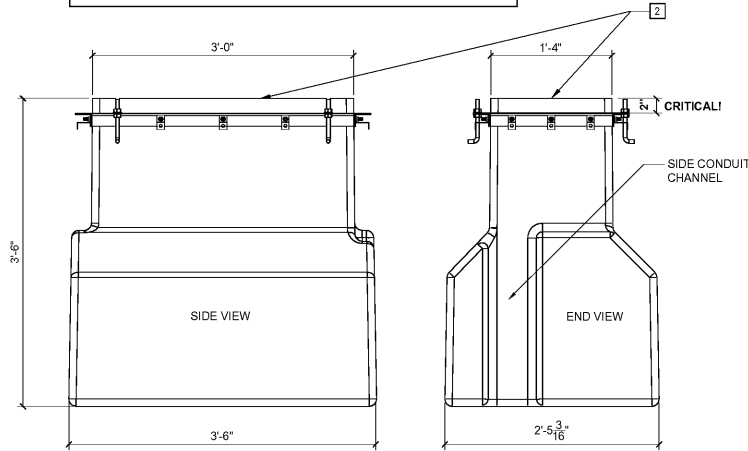
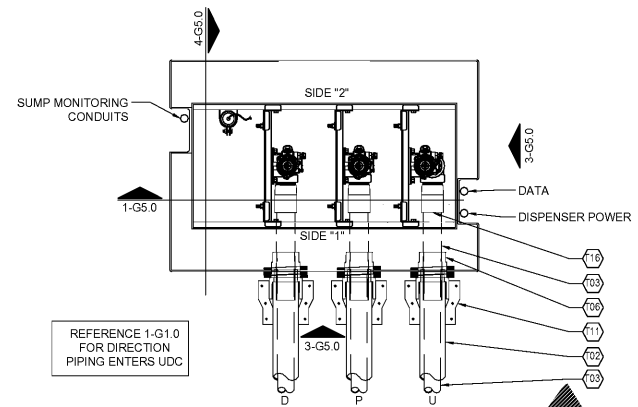


5 PIPING CONNECTIONS
1" = 1'-0"

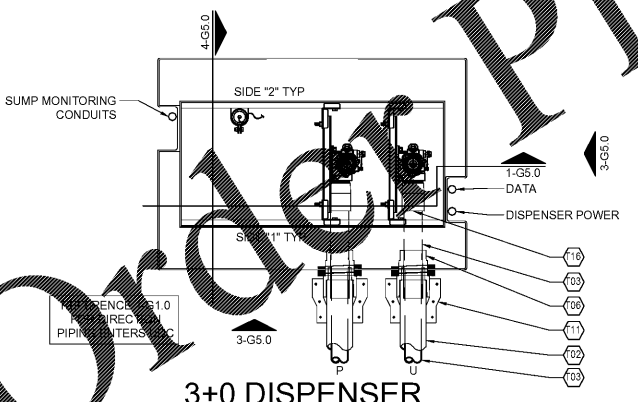
NOTE: THE DEEP DISPENSER SUMP (FDS-4021-SL) SHOWN IS TO PROVIDE CONTAINMENT FOR THE GILBARCO ENCORE DISPENSER.



3 DISPENSER SUMP ELEVATIONS
1" = 1'-0"

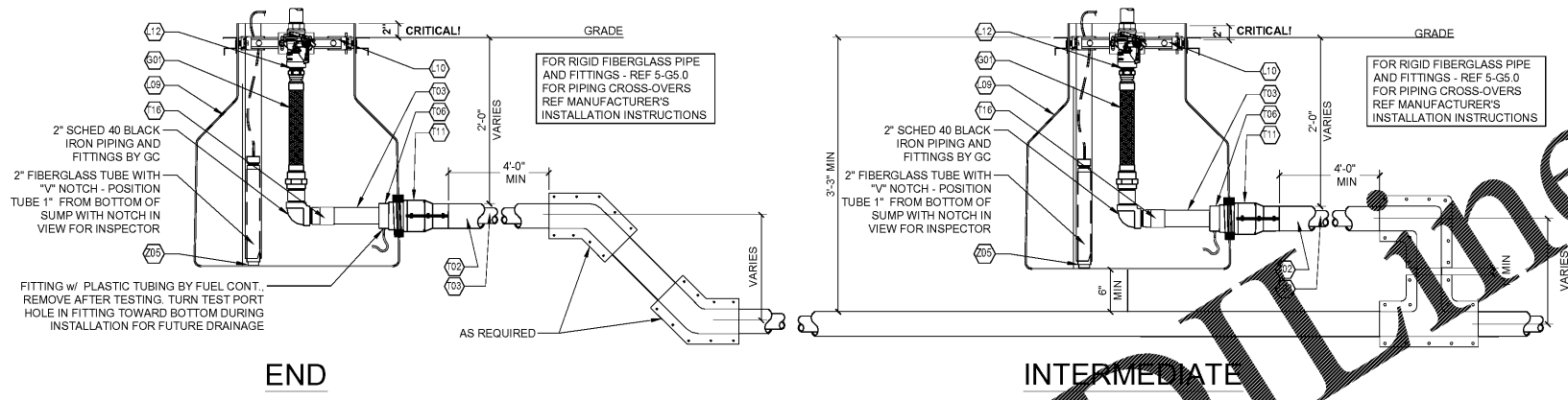


3+1 DISPENSER

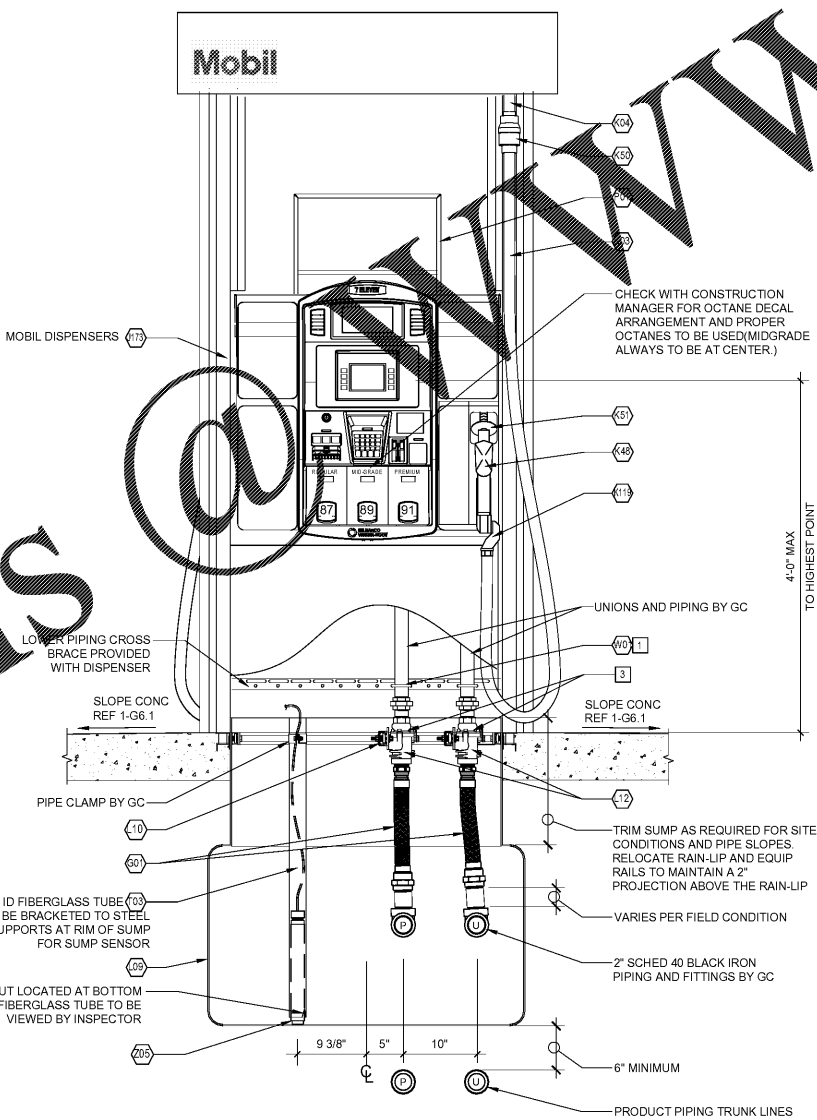


3+0 DISPENSER

2 DISPENSER SUMP - PLAN VIEWS
1" = 1'-0"

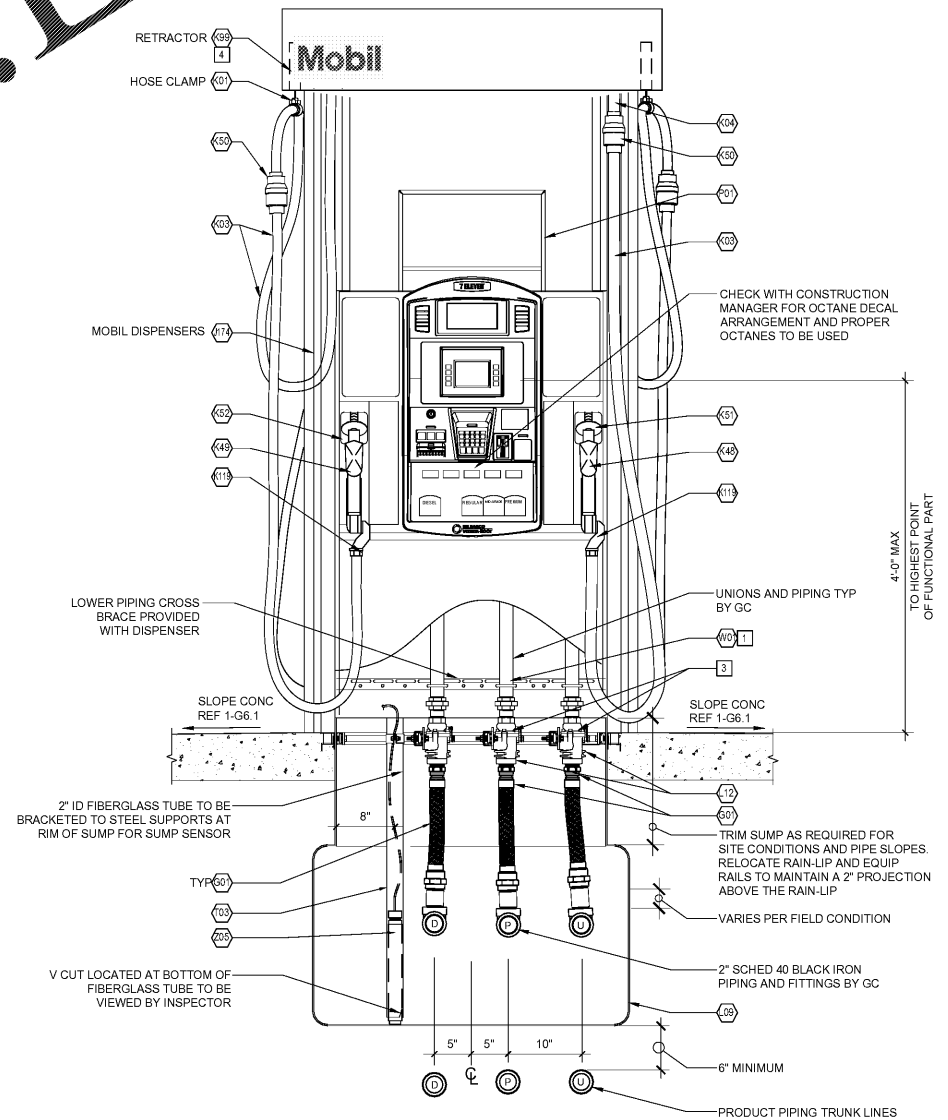


4 DISPENSER SUMP SECTION
1" = 1'-0"



3+0 DISPENSER

1 GILBARCO ENCORE 700S DISPENSER
1" = 1'-0"



3+1 DISPENSER

GENERAL NOTES

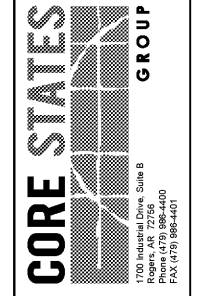
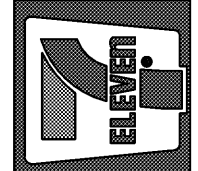
- AFTER ALL UNDERGROUND PIPING AND ELECTRIC CONDUITS ARE INSTALLED AND DURING EXCAVATION, BACKFILLING, AND CONCRETE POURING, A CONTINUOUS HYDROSTATIC TEST SHALL BE PERFORMED ON ALL SUMPS AND SPILL BUCKETS TO ENSURE TIGHTNESS AND PROPER INSTALLATION.
- SUMP TO BE CLEANED OF DEBRIS AND DRIED AFTER TESTING.

KEY NOTES

- SOURCE NORTH AMERICA TO SUPPLY U-BOLTS TO SECURE SENSORS TO CROSS BRACKETS SUPPLIED BY GILBARCO.
- CRITICAL - MUST HAVE 2" RAIN LIP ABOVE INTEGRAL RAIN LIP FRAME.
- SHEAR SECTIONS OF SHEAR VALVES SHALL BE MOUNTED FLUSH WITH TOP OF PAVEMENT.
- HOSE RETRACTOR REQUIRES FIELD MODIFICATION, REF MANUFACTURER'S INSTALLATION INSTRUCTIONS FOR SPECIFIC USE.

Rev. #	Date	Description

7-ELEVEN, INC.
3200 HACKBERRY ROAD, IRVING TEXAS 75063
7-ELEVEN #38227
S.W. CARROLL ST & DYER BLVD
KISSIMMEE, FL 34741
DISPENSER AND SUMP DETAILS
Proto 08-21-17



Job#: SEI-20880.521
Scale: AS NOTED
Date: 12/19/17
Drawn By: RMK
Checked By: KMS

Documents prepared by Core States Group are to be used only for the specific project and are not to be used for any other projects, by owner or any other party, without the written consent of Core States Group. Core States Group is not responsible for the user's own risk. If used in a manner not intended, user will hold Core States Group harmless from all claims and losses.

SHEET:
G5.0
FUELING - USA