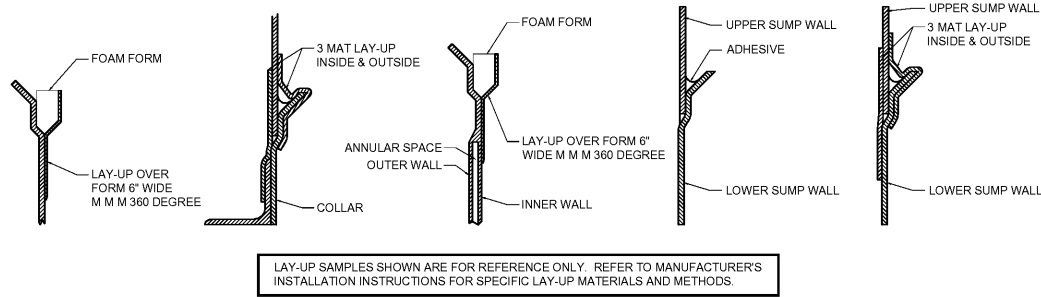
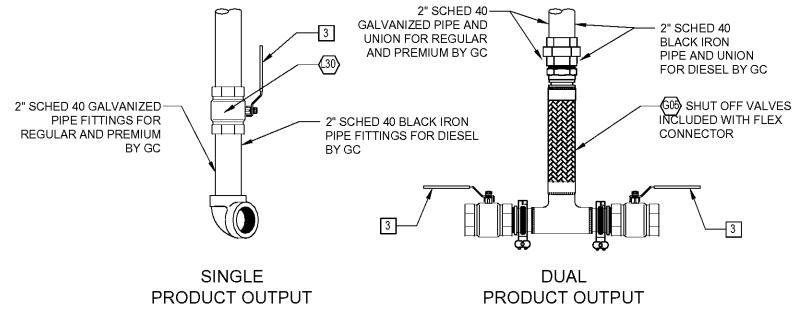


Order Plans @

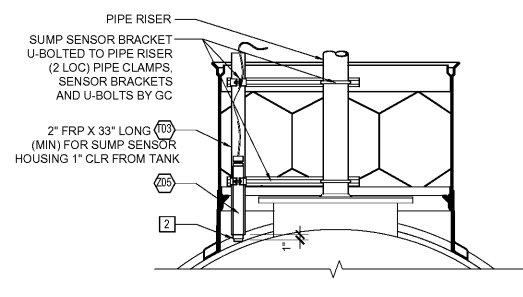


LAY-UP SAMPLES SHOWN ARE FOR REFERENCE ONLY. REFER TO MANUFACTURER'S INSTALLATION INSTRUCTIONS FOR SPECIFIC LAY-UP MATERIALS AND METHODS.

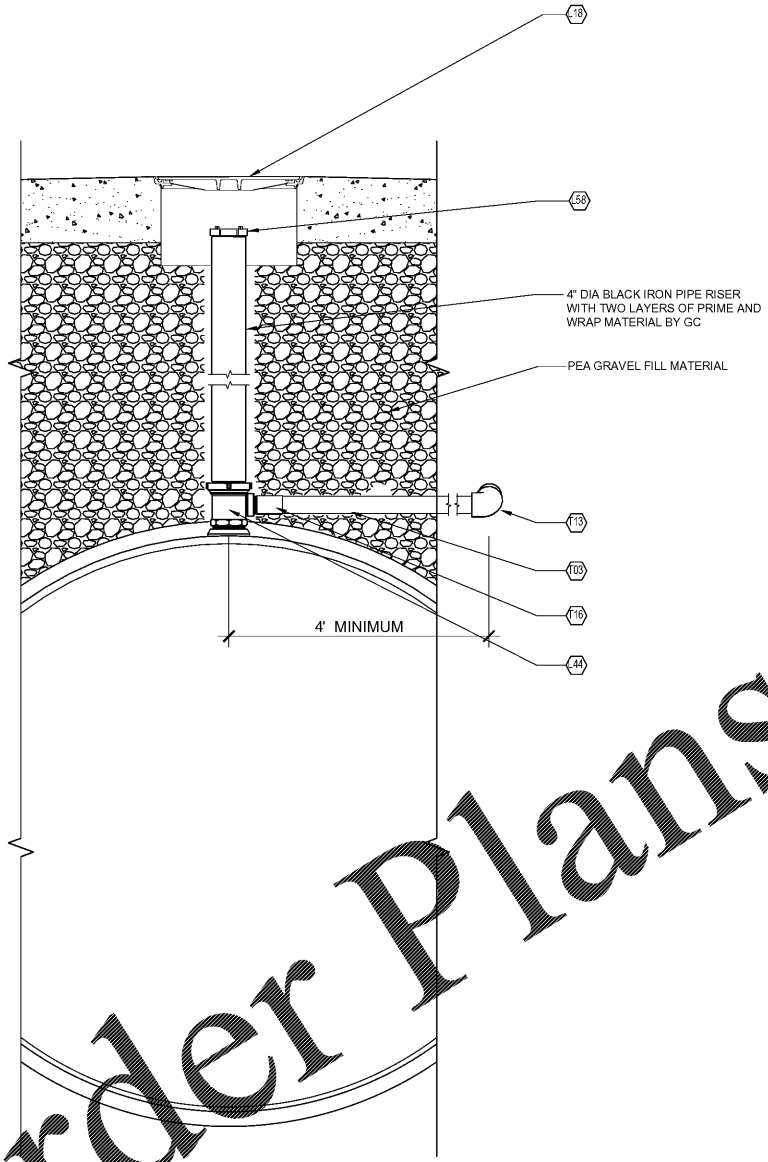
6 TANK SUMP LAYUP DETAILS
 NTS



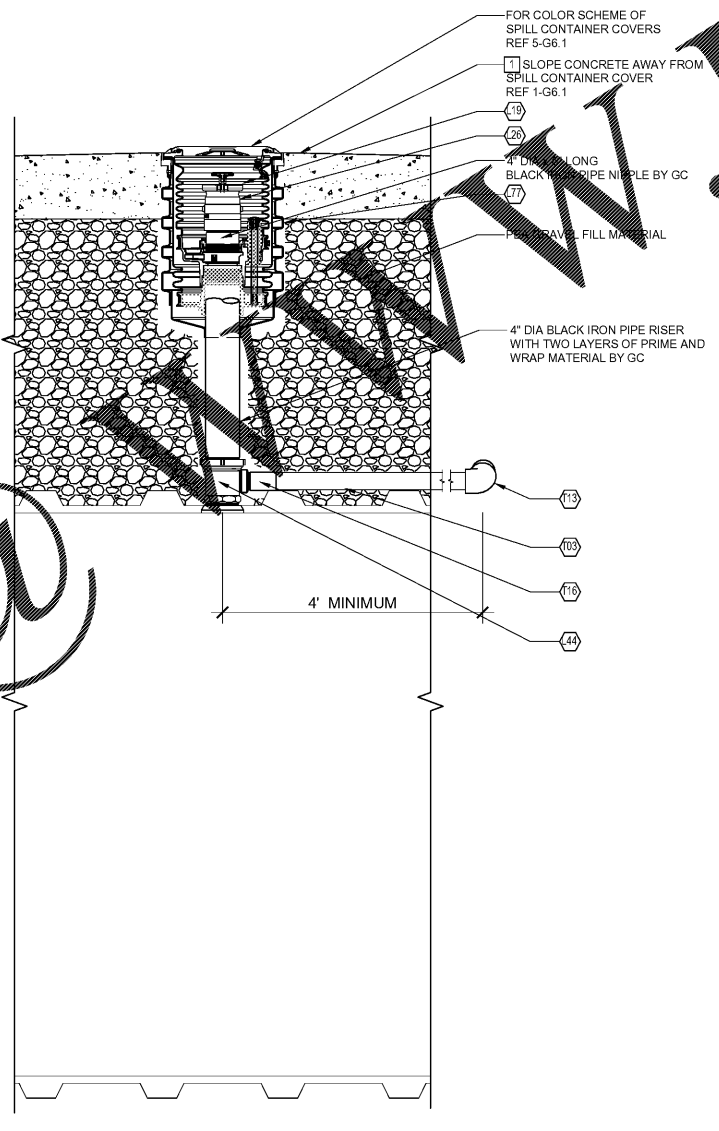
5 FUEL PIPING TREE DETAILS
 1 1/2"=1'-0"



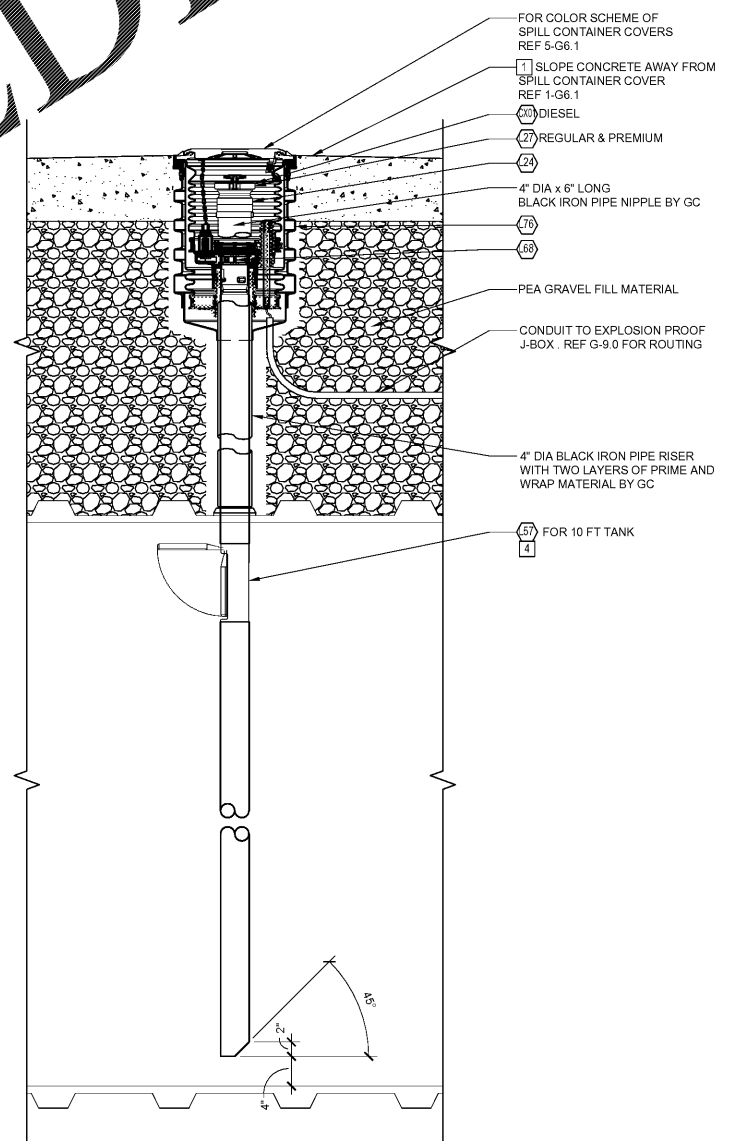
4 SUMP SENSOR AND SENSOR BRACKET DETAIL
 3/4"=1'-0"



3 DIESEL VENT DETAIL
 1"=1'-0"



2 RUL / PUL VENT/VAPOR DETAIL
 1"=1'-0"



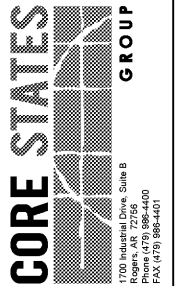
1 FUEL FILL CONTAINER DETAIL
 1"=1'-0"

KEY NOTES

- CONCRETE SLAB. REF 1-G6.1 AND CIVIL DRAWINGS FOR TOS ELEVATIONS. ALL MANHOLES COVERS WITHIN THE TANK SLAB AREA ARE TO BE SET 1" ABOVE THE FINISH GRADE AND SLOPE CONCRETE AWAY FROM MANWAY COVERS AT 2% GRADE. CROWN CONCRETE AS TO NOT INHIBIT WATER DRAINAGE OFF THE TANK SLAB (NO POOLING)
- SUMP SENSOR TO REST AT LOWEST POINT OF SUMP ENCLOSURE ON PRODUCT PIPING SIDE OF SUMP. TANK CONTRACTOR TO SUPPLY MANISTRU BRACKETS, PIPE CLAMPS AND 2" SLEEVES FOR 2-POINT MOUNTING OF THE SLEEVE
- POSITION BALL VALVE FROM UNOBSTRUCTED USE OF SHUT-OFF VALVE
- OVERFILL PREVENTION VALVE AS PER MFRS SPECIFICATIONS. SET OVERFILL DEVICE FOR RESTRICTION OF FLOW AT OR BELOW 90% TANK CAPACITY TO ALLOW SHUT-OFF AT 95% TANK CAPACITY TO MEET NFPA 30 REQUIREMENTS

Rev. #	Date	Description

7-ELEVEN, INC.
 3200 HACKBERRY ROAD, IRVING TEXAS 75063
 7-ELEVEN #38227
 SMC W CARROLL ST & DYER BLVD
 KISSIMMEE, FL 34741
 TANK SUMP DETAILS



Job#: SEI-20880.521
 Scale: AS NOTED
 Date: 12/19/17
 Drawn By: RMK
 Checked By: KMS

Documents prepared by Core States Group are to be used only for the specific project and no other projects, by owner or any reseller, without the consent of Core States Group. It is the user's own risk. If used in a manner not intended, user will hold Core States Group harmless from all claims and losses.