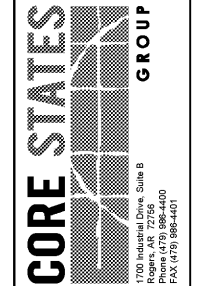
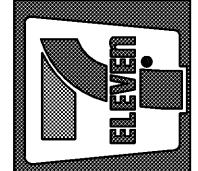


KEY NOTES

- 1 CONCRETE SLAB. REF 1-G6.1 AND CIVIL DRAWINGS FOR TOS ELEVATIONS. ALL MANHOLES WITHIN THE TANK SLAB AREA TO BE RAISED 1" ABOVE THE NORMAL GRADE OF CONCRETE. SLOPE CONCRETE TO MANHOLES 1/4" PER FT. CROWN CONCRETE AS TO NOT INHIBIT WATER DRAINAGE OFF THE TANK SLAB (NO POOLING).
- 2 GEOTECH FABRIC MATERIAL TO EXTEND 2' MINIMUM PAST THE TANK HOLE EXCAVATION METHOD OF PINNING FABRIC AT TOP OF EXCAVATION TO BE APPROVED BY THE TOWN CONSTRUCTION MGR.
- 3 MOH STRAP ANCHOR SYSTEM SUPPLIED BY TANK MANUFACTURER. PLACE DEADMEN PER MANUFACTURER'S INSTALLATION INSTRUCTIONS.
- 4 FOR SAFETY, FOLLOW CURRENT OSHA REGULATIONS. IF SHEET PILES ARE UTILIZED, PROVIDE MINIMUM CLEARANCE BETWEEN NEW TANKS AND EXISTING.
- 5 BURIAL DEPTH GREATER THAN 5'-8" REQUIRES 7'-ELLEN AND MANUFACTURER'S APPROVAL.
- 6 UNDISTURBED SOIL OR COMPACTED BACK FILL NOT LESS THAN 95% OF MODIFIED PROCTOR DENSITY (AASHTO-T-180).

Rev. # Date

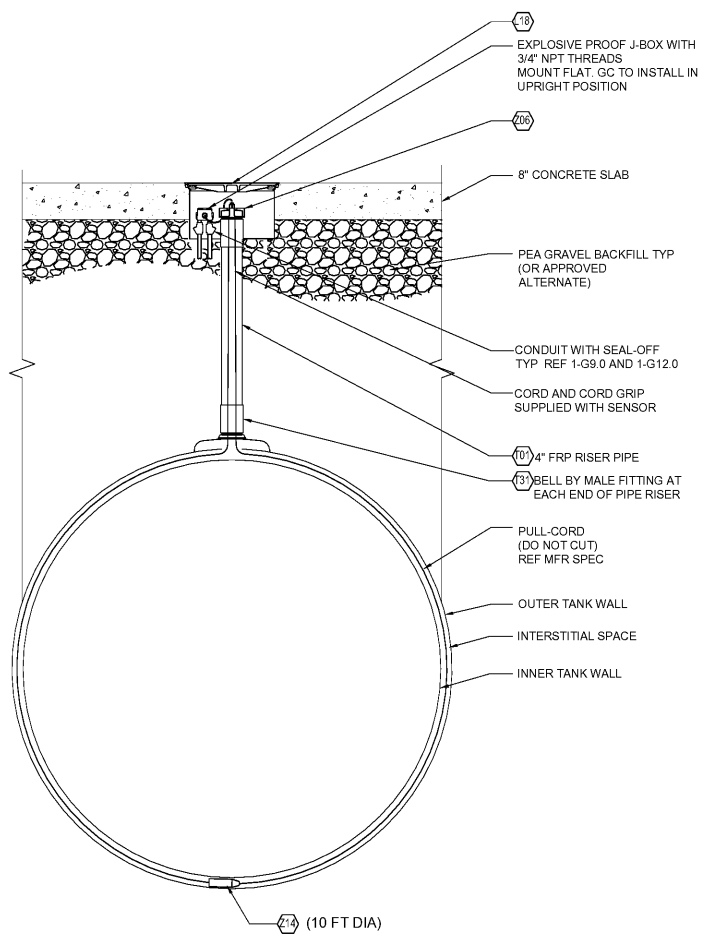
7-ELEVEN, INC.
3200 HACKBERRY ROAD, IRVING TEXAS 75063
7-ELEVEN #38227
S.W. CARROLL ST & DYER BLVD
KISSIMMEE, FL 34741



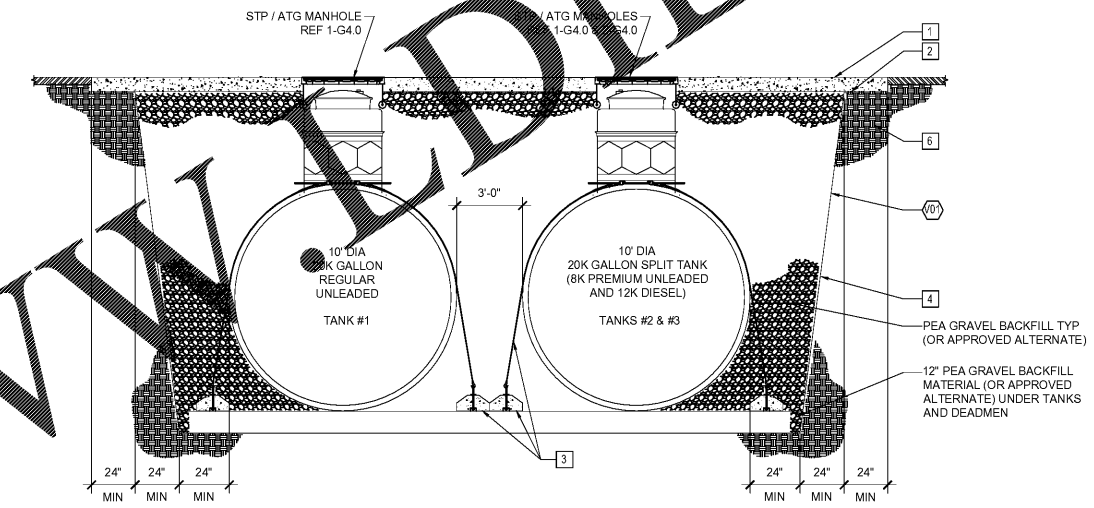
Job#: SEI-20880.521
Scale: AS NOTED
Date: 12/19/17
Drawn By: RMK
Checked By: KMS

Documents prepared by Core States Group are to be used only for the specific project and not for any other project. Any extension of use to other projects, by owner or any other party, without the written consent of Core States Group is done at the user's own risk. If used in a manner not intended, user will hold Core States Group harmless from all claims and losses.

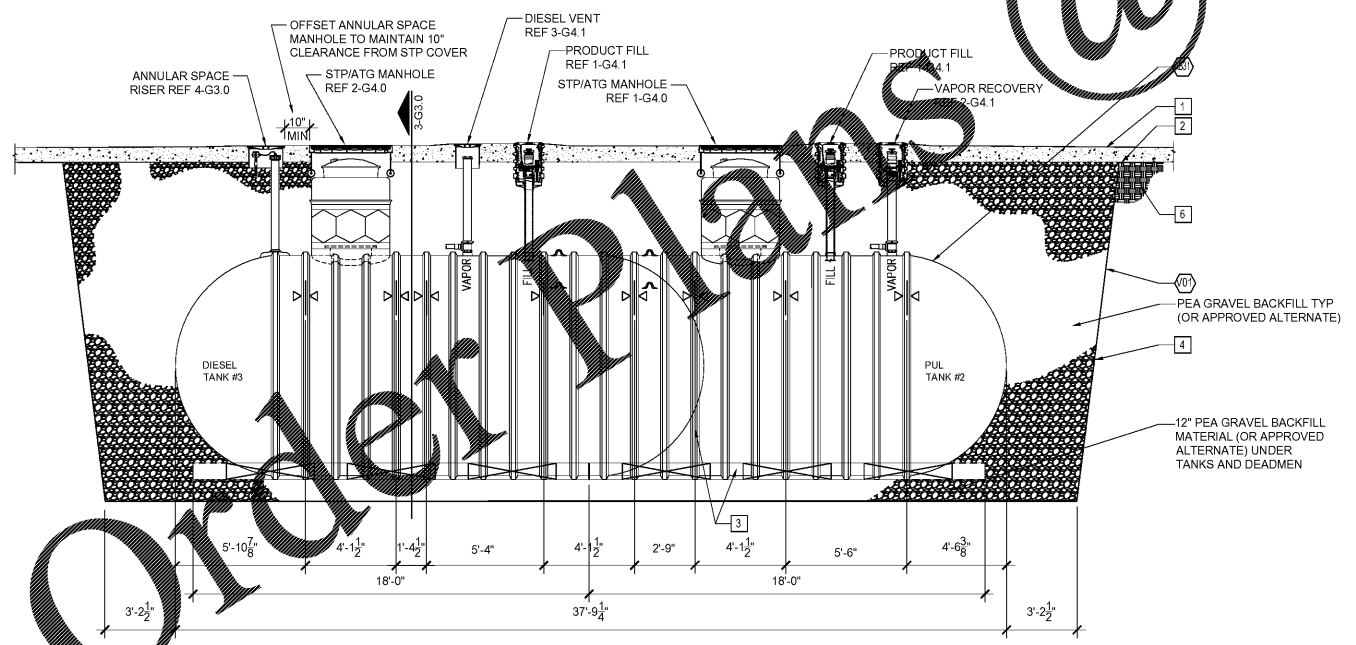
SHEET:
G3.0
FUELING - USA



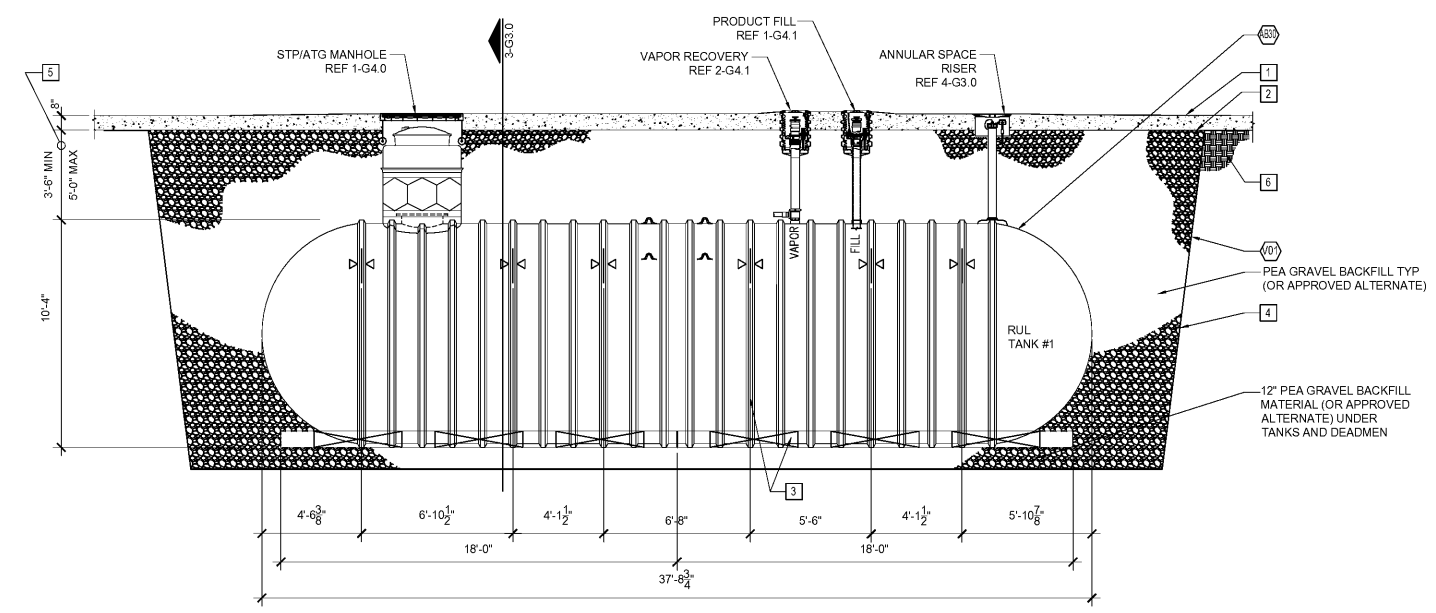
4 ANNULAR SPACE RISER AND SENSOR SECTION
1/2"=1'-0"



3 10' DIA UNDERGROUND STORAGE TANK SECTION
1/4"=1'-0"



2 10' DIA 20,000 GALLON SPLIT TANK SECTION
1/4"=1'-0"



1 10' DIA 20,000 GALLON TANK SECTION
1/4"=1'-0"

PRINTED BY: ASUABLE
DRAWING NAME: 30227 - G3.0 TANK SECTIONS.DWG
PRINT DATE: Dec 19, 2017 - 12:05pm

Order Plans @ WWW.7ELEVEN.com