

KEYNOTES - POWER	
1	WORKSTATION RECEPTACLE FOR TASK LIGHTING AND TRAINING COMPUTER.
2	ISOLATED GROUND (IG) 20 AMP CIRCUIT FOR STORE COMPUTER. FLUSH MOUNT FACE PLATE FOR DUPLEX RECEPTACLE WHICH RECEIVES PLUG FROM UPS (BATTERY BACKUP) AND FUTURE PERIPHERALS.
3	QUAD RECEPTACLE FOR SECURITY EQUIPMENT. RECEPTACLE RECEIVES THE FOLLOWING EQUIPMENT PLUGS: A. VCR B. MULTIPLEX CONNECTION FOR CAMERAS C. INTERCOM TO RECORD AUDIO AT SALES COUNTER D. ALARM RECEIVER
4	ISOLATED GROUND (IG) 20 AMP CIRCUIT FOR STORE COMPUTER. FLUSH MOUNT FACE PLATE FOR QUAD RECEPTACLE.
5	QUAD TO BE MOUNTED BEHIND CIGARETTE FIXTURE SO NOT VISIBLE TO CUSTOMER.

SYMBOL LEGEND	
	125 V GFCI RECEPTACLE, DUPLEX
	125 V RECEPTACLE, DUPLEX
	125 V I.G. RECEPTACLE, DUPLEX
	125 V RECEPTACLE, DOUBLE DUPLEX
	125 V I.G. RECEPTACLE, DOUBLE DUPLEX
	SPECIAL RECEPTACLE (SEE POWER PLAN FOR NECA CONFIG)
	TELEPHONE/DATA OUTLET

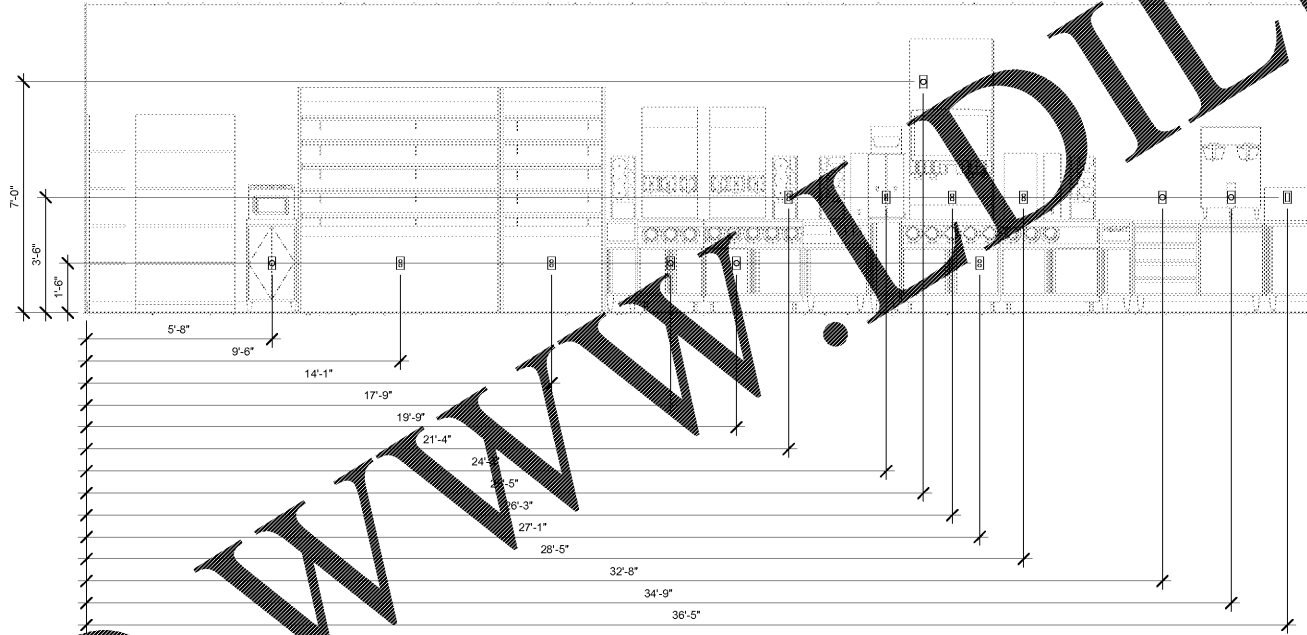
bates
 106 N 37TH STREET, SUITE C
 ROGERS, ARKANSAS 72756
 WWW.BATESINTECHS.COM
 TEL: 479.633.1111

Florida Certified Authority #12366
 Copyright © 2017 Bates Technical Services, Inc. All rights reserved. This drawing is the property of Bates Technical Services, Inc. and shall remain the property of Bates Technical Services, Inc. No part of this drawing may be reproduced, stored in a retrieval system, or transmitted in any form or by any means, electronic, mechanical, photocopying, recording, or by any information storage and retrieval system, without the prior written permission of Bates Technical Services, Inc. Any use of this drawing without the prior written permission of Bates Technical Services, Inc. is strictly prohibited. Bates Technical Services, Inc. shall not be responsible for construction means, methods, or materials, or for any safety precautions or for any other conditions that may arise in connection with this project.

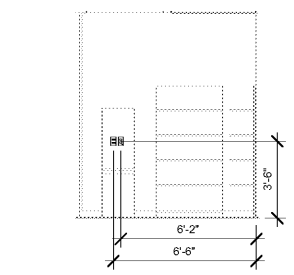
STORE #:
 38227

CONSTRUCTION MANAGER
 CREGHTON CONSTRUCTION & MANAGEMENT, LLC
 900 SW PINE ISLAND ROAD, SUITE 202
 CAPE CORAL, FL 33991

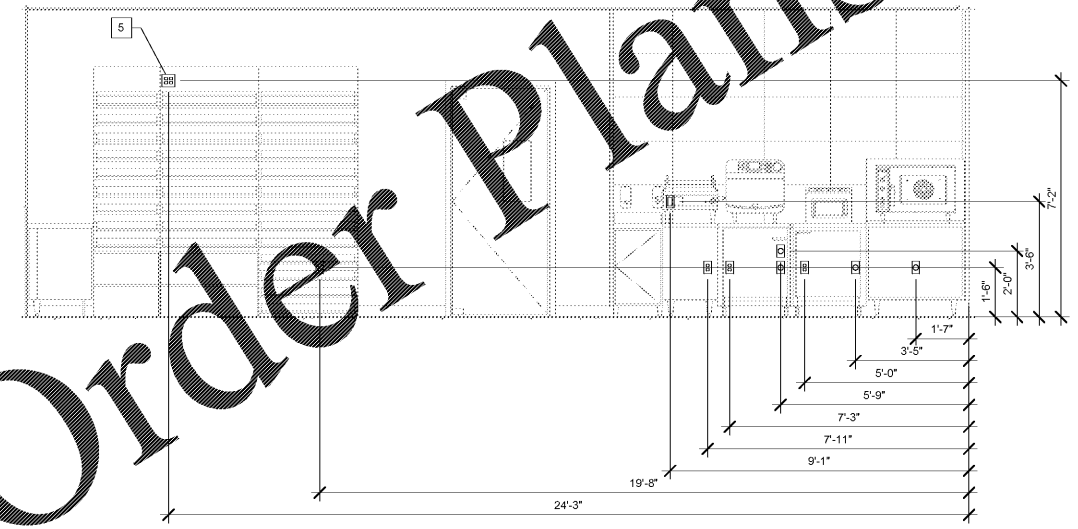
TENANT
 7-ELEVEN INC.
 3200 HACKBERRY ROAD
 IRVING, TX 75063
 CONTACT: DANIEL TUBB
 STRUCTURAL CONSULTANT
 SELECT STRUCTURAL
 12573 NEW BRITANNY BLVD FORT MYERS, FL 33907



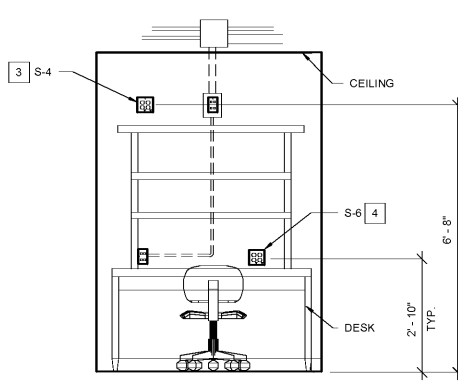
4
 E1.6
 INTERIOR ELEVATION - BEVERAGE BAR
 N.T.S.



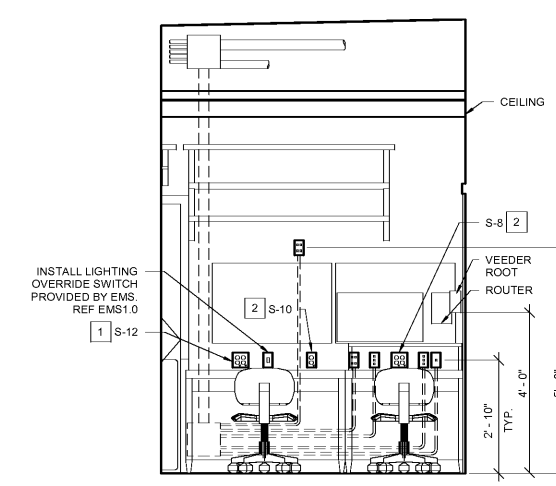
5
 E1.6
 ATM WIRING - POWER
 1/4" x 1'-0"



3
 E1.6
 INTERIOR ELEVATION - SALES
 N.T.S.



2
 E1.6
 MGR'S OFFICE WIRING - POWER
 N.T.S.



1
 E1.6
 WORKSTATION WIRING - POWER
 N.T.S.

Order Plans

WWW.LDILine.com

PROTO:08-21-2017

7-ELEVEN STORE
 SW CO CARROLL ST. & DYER BLVD.
 KISSIMMEE, FL 34741

CREGHTON CONSTRUCTION & MANAGEMENT, LLC
 900 SW PINE ISLAND ROAD, SUITE 202
 CAPE CORAL, FL 33991

Engineer Name - ANDREW D FINNEGAN
 Engineer Number - 80051

THE SEAL AND SIGNATURE APPLY ONLY TO THE DOCUMENT TO WHICH THEY ARE APPLIED AND WE HEREBY DISCLAIM ANY RESPONSIBILITY FOR ALL OTHER PLANS, SPECIFICATIONS, ESTIMATES, REPORTS OR OTHER DOCUMENTS OR INSTRUMENTS RELATING TO OR INTENDED TO BE USED FOR ANY PART OF THE PROJECT.

REVISIONS		
NO.	DATE	DESCRIPTION

PROJECT NUMBER: 17111
 RELEASE DATE: 12/19/2017

ELECTRICAL DETAILS

E1.6