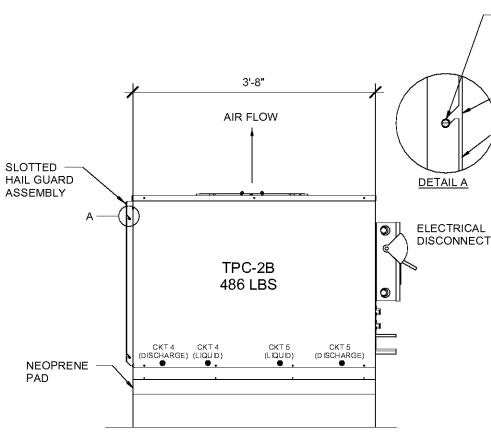


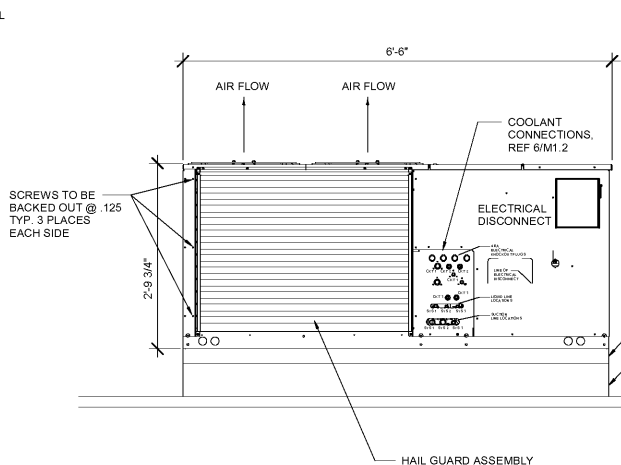
SYS 1: SANDWICH CASE CONNECTION - 7/8" SUCTION AND 3/8" LIQUID  
SYS 2: SANDWICH CASE CONNECTION - 7/8" SUCTION AND 3/8" LIQUID  
SYS 3: NOT USED  
CKT 1: 1006 HR ICE MAKER CONNECTION - 1/2" DISCHARGE AND 3/8" LIQUID  
CKT 2: NOT USED  
CKT 3: NOT USED  
NOTE: INDICATED SIZES ABOVE ARE FINAL CONNECTION SIZES AT THE FLEXPACK UNIT

6 ENLARGED TPC-2B CONNECTION DETAIL  
N.T.S.



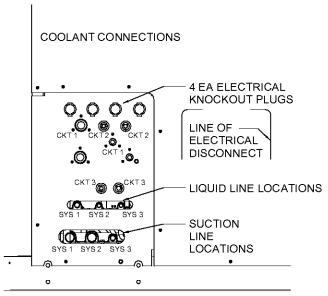
CKT 4: SLURPEE CONNECTION - 1/2" DISCHARGE AND 3/8" LIQUID  
CKT 5: SLURPEE CONNECTION - 1/2" DISCHARGE AND 3/8" LIQUID  
REF 6/M1.2 FOR SYS 1-6 LOCATIONS  
NOTE: INDICATED SIZES ABOVE ARE FINAL CONNECTION SIZES TO THE FLEXPACK UNIT

5 TPC-2B FLEXPACK SHORT SIDE VIEW  
3/4" = 1'-0"



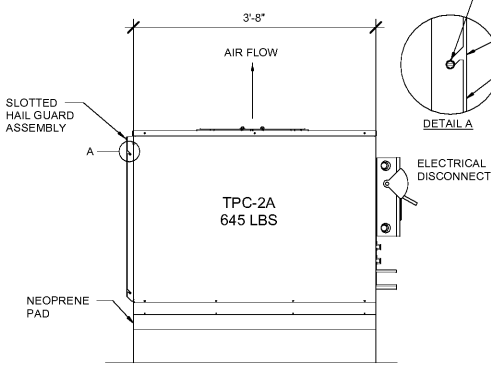
NOTE: FLEXPACK HAIL GUARD ASSEMBLY SHALL ONLY BE SPECIFIED IN 7-11 APPROVED HAIL GUARD STATES.

4 TPC-2B FLEXPACK SIDE AND PLAN VIEW  
3/4" = 1'-0"



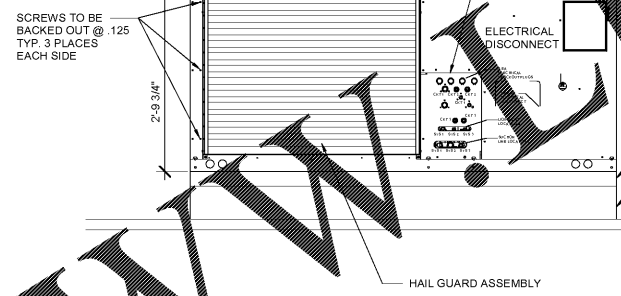
SYS 1: VAULT COOLER, (3) ADT130 - 7/8" SUCTION AND 1/2" LIQUID  
SYS 2: VAULT FREEZER, (1) BTL046B - 1/2" SUCTION AND 3/8" LIQUID  
SYS 3: VAULT ICE MERCHANDISER, (1) BTL046B - 1/2" SUCTION AND 3/8" LIQUID  
NOTE: INDICATED SIZES ABOVE ARE FINAL CONNECTION SIZES AT THE FLEXPACK UNIT

3 ENLARGED TPC-2A CONNECTION DETAIL  
N.T.S.



NOTE: FLEXPACK HAIL GUARD ASSEMBLY SHALL ONLY BE SPECIFIED IN 7-11 APPROVED HAIL GUARD STATES.

2 TPC-2A FLEXPACK SHORT SIDE VIEW  
3/4" = 1'-0"

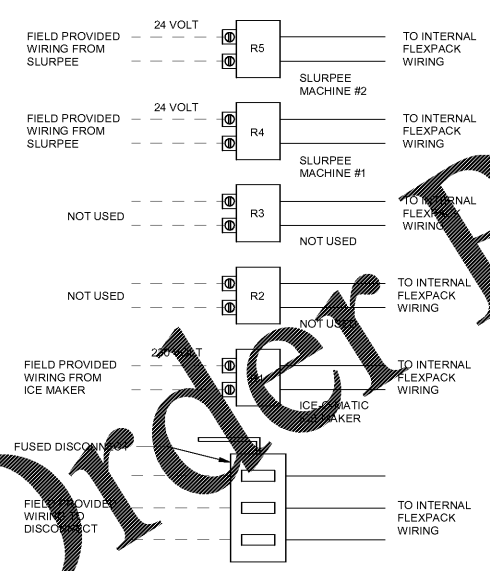


NOTE: FLEXPACK HAIL GUARD ASSEMBLY SHALL ONLY BE SPECIFIED IN 7-11 APPROVED HAIL GUARD STATES.

1 TPC-2A FLEXPACK SIDE AND PLAN VIEW  
3/4" = 1'-0"

FOR MORE INFORMATION CONTACT ANTHONY HARRIS @ HEATCRAFT/BOHN 817-233-6691 Anthony.Harris@Heatcraftpd.com

TPC-2B FLEXPACK AND REMOTE RELAY WIRING:



TPC-2A LINE CONNECTION LOCATION:

SYS 1 IS VAULT COOLER CONNECTION (3) ADT130  
SYS 2 IS VAULT FREEZER - (1) BTL046B  
SYS 3 IS VAULT ICE MERCHANDISER CONNECTION (1) BTL046B  
REMOTE CKT 1 IS NOT USED  
REMOTE CKT 2 IS NOT USED  
REMOTE CKT 3 IS NOT USED  
REMOTE CKT 4 IS NOT USED  
REMOTE CKT 5 IS NOT USED

TPC-2B LINE CONNECTION LOCATION:

SYS 1 IS SANDWICH CASE  
SYS 2 IS SANDWICH CASE  
SYS 3 IS NOT USED  
REMOTE CKT 1 IS 1006 HR ICE MAKER  
REMOTE CKT 2 IS NOT USED  
REMOTE CKT 3 IS NOT USED  
REMOTE CKT 4 IS SLURPEE MACHINE  
REMOTE CKT 5 IS SLURPEE MACHINE

BOOT QUANTITY REQUIRED:

C-481 - 4 EACH (REFRIGERANT LINES AND ELECTRICAL LINES)

ELECTRICAL WIRING TO FLEXPACK:

FLEXPACK POWER: (3)-#6, 1-#8G IN 1" EMT  
ICE MAKER: 1PR - 220V IN 3/4" EMT  
W/C, ICE MERC, LOW TEMP: 3PR - 24V WIRING IN 3/4" EMT  
REF. SHEET E1.4 FOR LOW VOLTAGE AND CONTROL WIRING

FLEXPACK UNIT / EQUIPMENT TYPE

FLEXPACK MODEL #	
TPC-2A 645 LBS	
SYSTEM 1 VAULT COOLER (3)ADT130 7/8" SUCTION 1/2" LIQUID	REMOTE CIRCUIT 1 NOT USED
SYSTEM 2 VAULT FREEZER (1) BTL046B 5/8" SUCTION 1/2" LIQUID	REMOTE CIRCUIT 2 NOT USED
SYSTEM 3 VAULT ICE MERCH. (1) BTL046B 5/8" SUCTION 1/2" LIQUID	REMOTE CIRCUIT 3 NOT USED
REMOTE CIRCUIT 4 NOT USED	REMOTE CIRCUIT 5 NOT USED

NOTE: INDICATED SIZES ABOVE ARE FINAL CONNECTION SIZES TO THE INTERIOR REFRIGERATION EQUIPMENT

FLEXPACK UNIT / EQUIPMENT TYPE

FLEXPACK MODEL #	
TPC-2B 486 LBS	
SYSTEM 1 SANDWICH CASE 3/8" LIQUID	REMOTE CIRCUIT 1 ICE 1006 HR ICE MAKER 1/2" DISCHARGE 3/8" LIQUID
SYSTEM 2 SANDWICH CASE 5/8" SUCTION 3/8" LIQUID	REMOTE CIRCUIT 2 NOT USED
SYSTEM 3 NOT USED	REMOTE CIRCUIT 3 NOT USED
REMOTE CIRCUIT 4 SLURPEE MACHINE 1/2" DISCHARGE 3/8" LIQUID	REMOTE CIRCUIT 5 SLURPEE MACHINE 1/2" DISCHARGE 3/8" LIQUID

NOTE: INDICATED SIZES ABOVE ARE FINAL CONNECTION SIZES TO THE INTERIOR REFRIGERATION EQUIPMENT

REFRIGERATION MAX LINE LENGTH

WALK-IN COOLER	<100'
LOW TEMP FREEZER	<100'
ICE MERCHANDISER	<100'
SLURPEE	<100'; LINE SET SHALL BE MEASURED AND CUT TO FIT TOTAL DEVELOPED LENGTH AS TO NOT HAVE ANY REMAINING COIL OF TUBING ON-SITE.
POST MIX ICE	<60' (75' PRE-CHARGED LINE SET AVAILABLE UPON REQUEST); LINE SET SHALL BE MEASURED AND CUT TO FIT TOTAL DEVELOPED LENGTH AS TO NOT HAVE ANY REMAINING COIL OF TUBING ON-SITE.
SANDWICH CASE (OPTION 1)	<45' (<15' VERT) (PREFERRED OPTION)
SANDWICH CASE (OPTION 2)	<65' (<15' VERT) W/P-TRAP