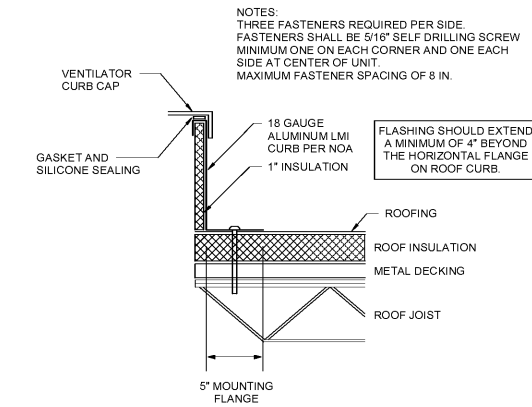
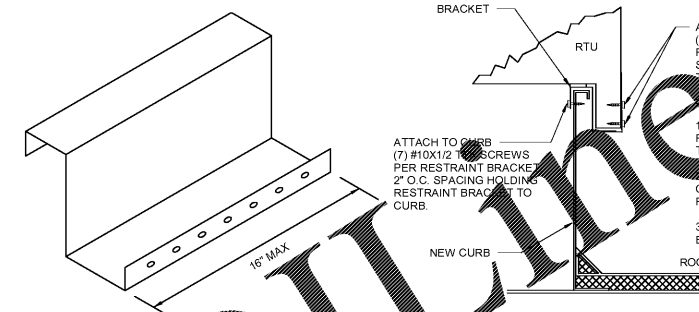


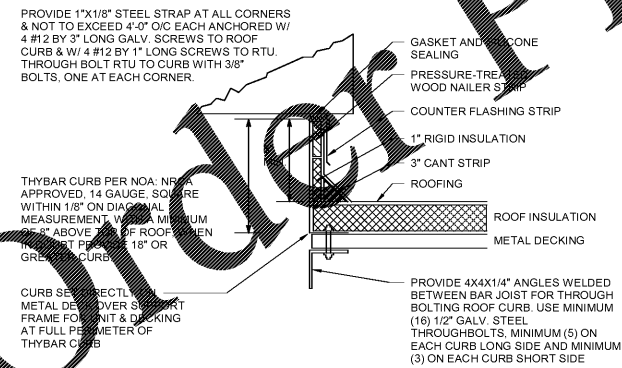
3 CONDENSATE PIPING SUPPORT DETAIL
N.T.S.



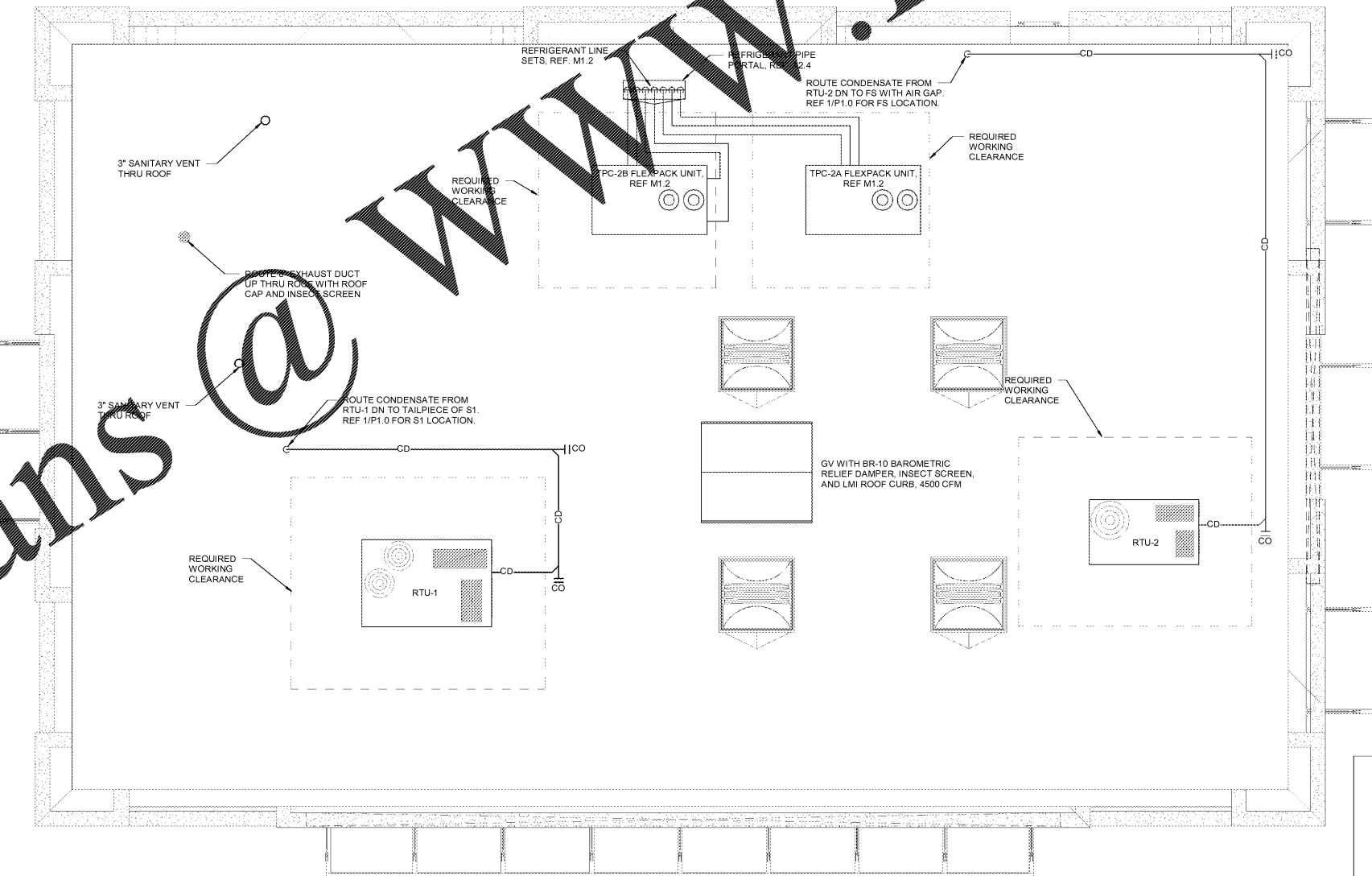
4 VENTILATOR ROOF CURB DETAIL
N.T.S.



5 RTU RESTRAINT BRACKET DETAIL
N.T.S.



2 ROOF CURB DETAIL
N.T.S.



1 MECHANICAL ROOF PLAN
1/4" = 1'-0"