

ROOFTOP UNIT SCHEDULE														
MARK	MANUFACTURER	MODEL	NOMINAL TONS	SUPPLY FAN			COOLING CAPACITY (MBH)		SEER/ EER	HEATING INPUT (KW)	ELECTRICAL DATA			WEIGHT
				CFM	E.S.P. (IN. WC)	OSA (CFM)	TOTAL	SENSIBLE			V/PH	MCA	MOCP	
RTU-1	CARRIER	50HC-D08	7.5	2700	0.75"	300	90	12.2	12.2	7.8	208/3	41	50	1272
RTU-2	CARRIER	50HC-A06	5	1800	0.5"	200	60	15.2	4.9	208/3	29	40	821	

OSA CALCULATIONS					
CLASSIFICATION	AREA FT2	CFM PER AREA FT2	PEOPLE PERSONS	CFM PER PERSON	OUTSIDE AIR CFM
SUPERMARKET	2400	0.06	24	7.5	405
$V_{bz} = R_p \cdot P_z + R_a \cdot A_z$		$V_{oz} = V_{bz} \cdot E_z$		TOTAL REQUIRED: 405	
7.5*24*0.06+2400=324		324/0.8=405		TOTAL SUPPLIED: 500	

MECHANICAL SYMBOLS	
	RECTANGULAR DUCT 18" WIDE BY 12" DEEP (INSIDE CLEAR DIMENSIONS)
	12" DIAMETER ROUND DUCT (INSIDE CLEAR DIMENSIONS)
	SUPPLY DUCT IN SECTION
	RETURN OR EXHAUST DUCT IN SECTION
	ELBOW WITH TURNING VANES
	TEE WITH TURNING VANES
	ROUND (OR OVAL) ELBOW
	SUPPLY AIR DIFFUSER WITH ROUND SUPPLY DUCT
	RETURN OR EXHAUST AIR DIFFUSER WITH ROUND DUCT
	DIFFUSER OR GRILLE TYPE & CFM
	TEMPERATURE SENSOR
	TEMPERATURE, HUMIDITY, CO2 COMBO SENSOR
	SMOKE DETECTOR
	DAMPER

HVAC NOTES

- NOTES APPLY TO ALL MECHANICAL SHEETS.
- EACH CONTRACTOR IS RESPONSIBLE FOR HAVING THOROUGH KNOWLEDGE OF ALL DRAWINGS AND SPECIFICATIONS AS THEY RELATE TO THIS WORK. NO ADDITIONAL COMPENSATION SHALL BE ALLOWED DUE TO LACK OF THIS KNOWLEDGE.
- PROVIDE ALL MATERIALS FOR A COMPLETE INSTALLATION IN ALL RESPECTS READY FOR INTENDED USE AND IN STRICT ACCORDANCE WITH STATE AND LOCAL CODES AND MANUFACTURER'S RECOMMENDATIONS.
- SPRINKLER HEAD AND LIGHTING FIXTURE LOCATIONS TAKE PRECEDENCE OVER DIFFUSER LOCATIONS. COORDINATE WITH ELECTRICAL CONTRACTOR AND PROTECTIVE CONTRACTOR.
- DUCTWORK IDENTIFICATION AND INSTALLATION TO ADHERE TO GOVERNING CODES.
- DUCT SIZES INDICATED ARE INSIDE CLEAR DIMENSIONS AND REPRESENT THE INSIDE EDGE TO FREE AREA REQUIRED TO MAINTAIN THE AIR FLOW SPECIFIED. IF DUCT LINING IS REQUIRED, INCREASE DUCT SIZE TO MAINTAIN THE INSIDE DIMENSIONS. IF DUCT SIZES NEED TO BE ADJUSTED FOR SPACE REQUIREMENTS, ENSURE THE FINAL INSIDE DUCT EQUIVALENT FREE AREA IS MAINTAINED.
- TYPICAL BRANCH DUCT FITTING DETAIL IS APPLICABLE THROUGHOUT. FLEXIBLE DUCTWORK IS ONLY PERMITTED AT FINAL CONNECTION - MAX LENGTH OF 6'-0".
- FINISH AND INSTALL VOLUME/BALANCE DAMPERS AT ALL BRANCH DUCTS TO DIFFUSERS. LOCATE DAMPERS A MINIMUM 4'-0" AWAY FROM DIFFUSERS. PROVIDE ACCESS AS REQUIRED.
- ALL CEILING DIFFUSERS ARE 4-WAY PATTERN UNLESS SHOWN OTHERWISE.
- PROVIDE A COMPLETE TEST AND BALANCE FOR HVAC SYSTEM. AIR BALANCE SHALL BE WITHIN 5% OF SCHEDULED AIRFLOWS. PROVIDE COPY TO OWNER AND ENGINEER.
- INSTALL VTR'S AND EXHAUST FANS A MINIMUM OF 10 FT FROM OUTSIDE AIR INTAKE.

AIR BALANCE SCHEDULE		
MARK	OUTSIDE AIR CFM	EXHAUST AIR CFM
RTU-1	300	
RTU-2	200	
EF-1		200
TOTAL	500	200

EXHAUST FAN SCHEDULE							
MARK	MANUFACTURER	MODEL	CFM	E.S.P. (IN. WC)	V/Ph	WATTS	CONTROL
EF-1	GREENHECK	SP-B150	100	0.25"	120/1	129	LIGHT SWITCH

NOTES:
 A. PROVIDE GRAVITY BACKDRAFT DAMPER.
 B. PROVIDE SPRING VIBRATION ISOLATORS FOR HANGER ROD SUPPORTS.
 C. TO BE PROVIDED BY 7-ELEVEN AND INSTALLED BY CONTRACTOR. FOR ADDITIONAL INFORMATION CONTACT CHAD LITERSKY (214) 350-6871 EXT. 2140 WITH BARTOS INDUSTRIES.

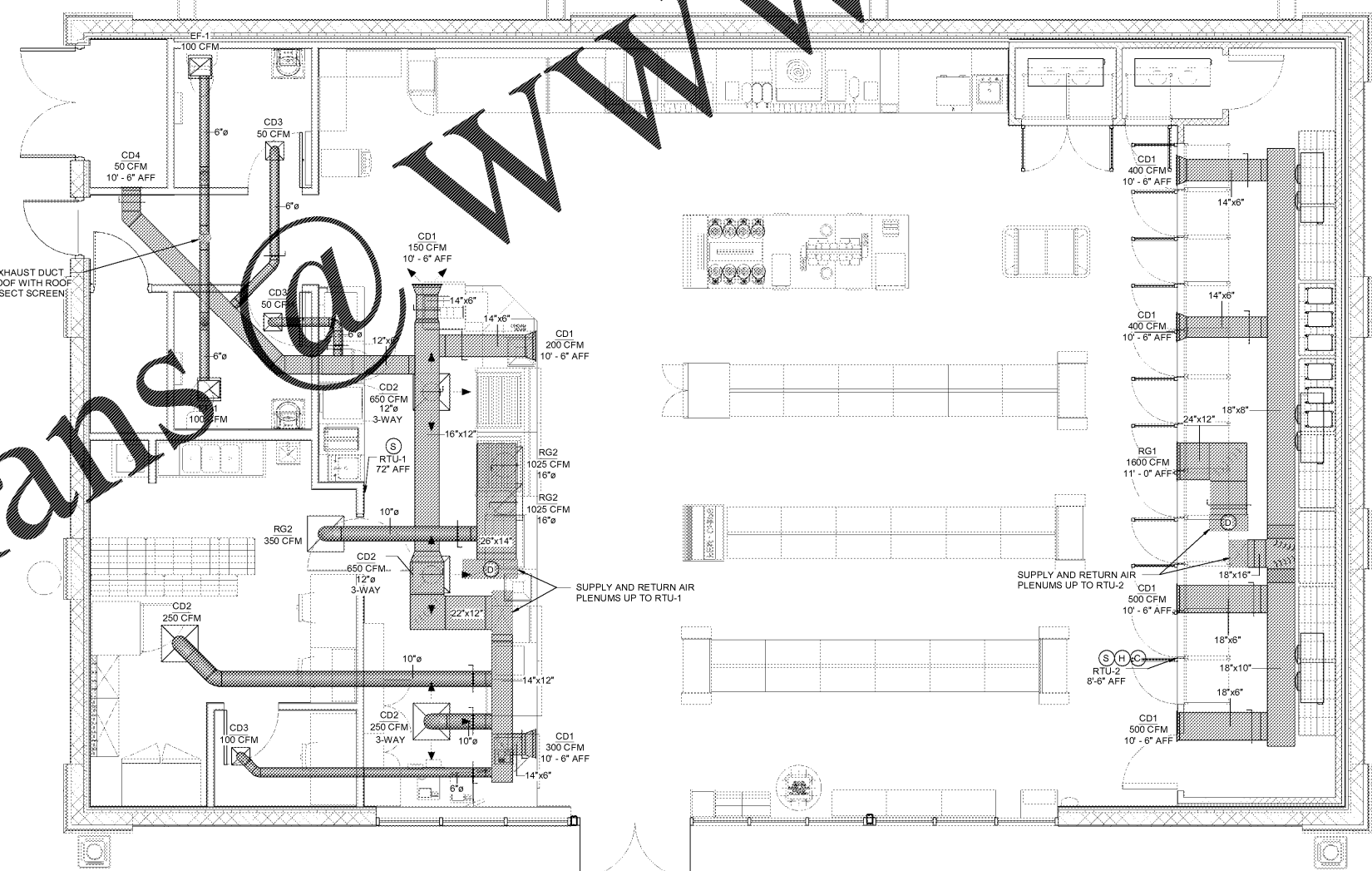
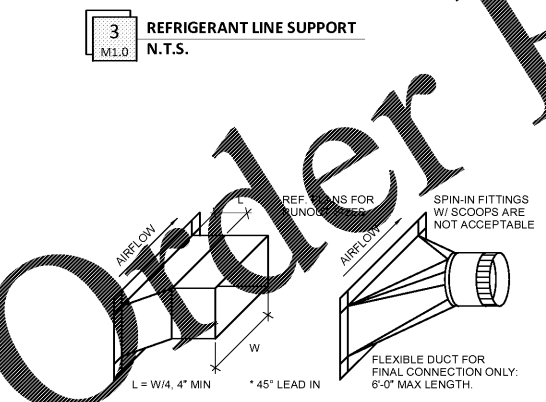
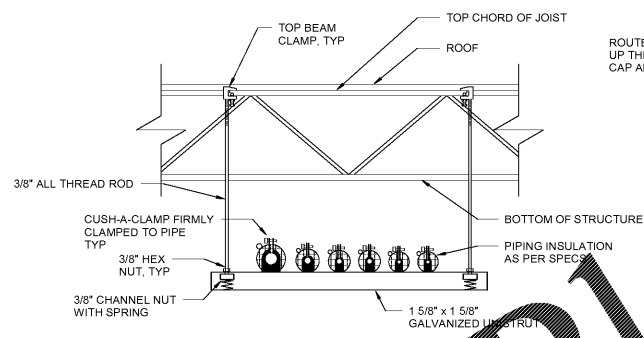
AIR DEVICE SCHEDULE								
MARK	SERVICE	MANUFACTURER	MODEL	STYLE	FACE SIZE	NECK SIZE	FRAME TYPE	NOTES
CD1	SUPPLY	METAL/AIRE	V4004D-1	ALUMINUM DOUBLE DEFLECTION WALL SUPPLY GRILLE	20 X 8	18 X 6	SURFACE	A, B, C, D
CD2	SUPPLY	METAL/AIRE	5700-6-AL	ROUND NECK CEILING DIFFUSER	24 X 24	PER PLAN	LAY-IN	A, B, C, D
CD3	SUPPLY	METAL/AIRE	5700-1-AL	ROUND NECK CEILING DIFFUSER	12 X 12	PER PLAN	SURFACE	A, B, C, D
CD4	SUPPLY	METAL/AIRE	V4004D-1	ALUMINUM DOUBLE DEFLECTION WALL SUPPLY GRILLE	14 X 8	12 X 6	SURFACE	A, B, C, D
RG1	RETURN	METAL/AIRE	CCS-1	EGGGRATE SIDEWALL RETURN GRILLE	26 X 14	24 X 12	SURFACE	A, C, D
RG2	RETURN	METAL/AIRE	CCS-6	EGGGRATE CEILING RETURN GRILLE	24 X 24	22 X 22	LAY-IN	A, B, C, D

GENERAL INFORMATION (ALL DEVICES):
 1. ALL DIFFUSERS ARE 4-WAY THROW UNLESS NOTED OTHERWISE.
 2. ALL AIR DEVICES SHALL BE PROVIDED BY 7-ELEVEN AND INSTALLED BY THE CONTRACTOR. FOR ADDITIONAL INFORMATION CONTACT CHAD LITERSKY (214) 350-6871 EXT. 2140 WITH BARTOS INDUSTRIES.

NOTES:
 A. DIFFUSER NECK SIZE SHALL BE SAME AS BRANCH DUCT SIZE UNLESS NOTED OTHERWISE.
 B. DAMPER AT TAKEOFF TO DEVICE.
 C. STANDARD OFF-WHITE FINISH.
 D. PROVIDE NECK FOR DUCT CONNECTION.

GRAVITY VENTILATOR SCHEDULE					
MARK	MANUFACTURER	MODEL	SIZE	THROAT AREA (SQ. FT.)	DESCRIPTION
GV	GREENHECK	FGR	48" X 48"	16	ALUMINUM STATIONARY FIXED BLADE FABRA HOOD WITH INSECT SCREEN.

NOTES:
 A. PROVIDE 48"X48" BR-10 BAROMETRIC RELIEF DAMPER AND ALUMINUM LMI ROOF CURB PER NOA REFERENCED ON SHEET A0.1. DAMPER SHALL BE INSTALLED IN ROOF CURB.
 B. PROVIDE WITH INSECT SCREEN.
 C. TO BE PROVIDED BY 7-ELEVEN AND INSTALLED BY THE CONTRACTOR. FOR ADDITIONAL INFORMATION CONTACT CHAD LITERSKY (214) 350-6871 EXT. 2140 WITH BARTOS INDUSTRIES.
 D. BR-10 DAMPER SHALL BE FACTORY FINISH WHITE.



NOTE: HEIGHT AFF TO CENTER OF DEVICE

ROUTE INSIDE REFRIGERANT LINES TIGHT TO EXTERIOR WALL, REF 3M1.0 FOR SUPPORT DETAIL

BEACON II AND EVAPORATORS TO BE CONFIGURED FOR THE INCOMING VOLTAGE

CO2 TANK FILL PIPING SHALL BE 1/2" ACR COPPER TUBING

PROVIDE FLEXIBLE CONNECTIONS ON REFRIGERANT PIPING AT FLEXPACK AND ON DUCTWORK AT RTU-1 AND RTU-2

COMMISSIONING AND T&B REQUIRED AND A REPORT GENERATED USING 7-ELEVEN'S COMMISSIONING REPORT TEMPLATE. PROVIDE A COPY TO THE OWNER AND ENGINEER. IF HVAC SYSTEM AIRFLOW CANNOT BE BALANCED PER PLANS, CONTACT ENGINEER OF RECORD FOR RESOLUTION.

REF EMS1.0 SHEET FOR ADDITIONAL INFORMATION REGARDING THE BUILDING ENERGY MANAGEMENT SYSTEM CONTROLS. CONTACT AUTOMATED LOGIC (ALC) AT (866) 390-4275 UPON AWARD OF CONTRACT TO OBTAIN LIST OF CERTIFIED EMS INSTALLERS. DURING CONSTRUCTION, AT 2 WEEKS PRIOR TO BUILDING TURNOVER, CONTACT ALC TO COORDINATE DELIVERY OF EMS PANEL. AFTER INSTALLATION OF EMS PANEL, INCLUDING CONNECTION OF CABLES, CONTACT ALC FOR START-UP OF EMS PANEL. START-UP TO BE DONE 2-3 DAYS PRIOR TO BUILDING TURNOVER.

BIM 360://38227 7-11 Kissimmee, FL @ Carroll St. & Dyer Blvd (17111)/38227 KISSIMMEE, FL Central MEP_R16.rvt

Order Plans

3 REFRIGERANT LINE SUPPORT N.T.S.

2 BRANCH DUCT FITTING N.T.S.

1 MECHANICAL PLAN 1/4" = 1'-0"

bates
 106 N 37TH STREET, SUITE C
 ROGERS, ARKANSAS 72756
 WWW.BATESDIRECTS.COM
 TEL 479.633.1111

Florida Certified Professional Engineer #12366
 Copyright © 2017 by Bates Direct, Inc. All rights reserved. This document is the property of Bates Direct, Inc. and shall remain the property of Bates Direct, Inc. No part of this document may be reproduced, stored in a retrieval system, or transmitted in any form or by any means, electronic, mechanical, photocopying, recording, or by any information storage and retrieval system, without the prior written permission of Bates Direct, Inc.

STORE #:
 38227

CONSTRUCTION MANAGER
 CREGHTON CONSTRUCTION & MANAGEMENT, LLC
 900 SW PINE ISLAND ROAD, SUITE 202
 CAPE CORAL, FL 33991

TENANT
 7-ELEVEN INC.
 3200 HACKBERRY ROAD
 IRVING, TX 75063
 CONTACT DANIEL TUBB
 STRUCTURAL CONSULTANT
 SELECT STRUCTURAL
 12573 NEW BRITANNY BLVD FORT MYERS, FL 33907

PROTO:08-21-2017

7-ELEVEN STORE
 SW CO CARROLL ST. & DYER BLVD.
 KISSIMMEE, FL 34741

CREGHTON CONSTRUCTION & MANAGEMENT, LLC
 900 SW PINE ISLAND ROAD, SUITE 202
 CAPE CORAL, FL 33991

Engineer Name - ANDREW D FINNEGAN
 Engineer Number - 80051

THE SEAL AND SIGNATURE APPLY ONLY TO THE DOCUMENT TO WHICH THEY ARE APPLIED AND WE BEYOND DISCLAIM ANY RESPONSIBILITY FOR ALL OTHER PLANS, SPECIFICATIONS, ESTIMATES, REPORTS OR OTHER DOCUMENTS OR INSTRUMENTS RELATING TO OR INTENDED TO BE USED FOR ANY PART OF THE PROJECT.

REVISIONS		
NO.	DATE	DESCRIPTION

PROJECT NUMBER: 17111
 RELEASE DATE: 12/19/2017

MECHANICAL PLAN

M.I.O