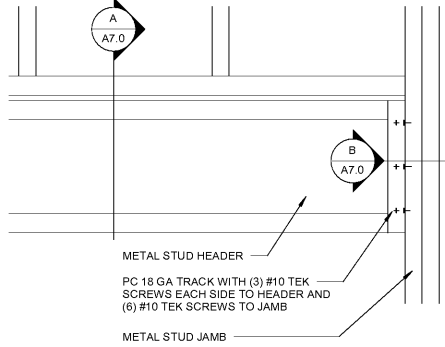
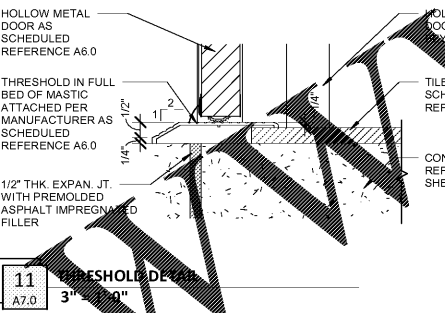


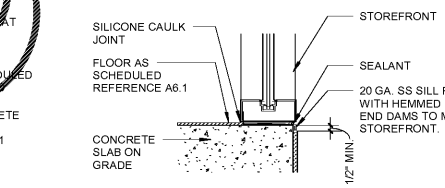
HEADER LENGTH	HEADER MEMBERS	MINIMUM EFFECTIVE PROPERTIES PER STUD
2' TO 6'	(2) 6" x 18 GAUGE	Ix = 2.042 Sx = 0.670
6' TO 8'	(2) 6" x 16 GAUGE	Ix = 2.518 Sx = 0.839
8' TO 10'	(2) 6" x 14 GAUGE	Ix = 3.094 Sx = 1.031
10' TO 12'	(2) 8" x 18 GAUGE	Ix = 4.134 Sx = 1.033
12' TO 14'	(2) 8" x 16 GAUGE	Ix = 5.110 Sx = 1.277
14' TO 16'	(2) 8" x 14 GAUGE	Ix = 6.303 Sx = 1.576
16' TO 18'	(2) 10" x 14 GAUGE	Ix = 12.325 Sx = 2.456
18' TO 26'	(2) 12" x 16 GAUGE	Ix = 15.730 Sx = 2.334



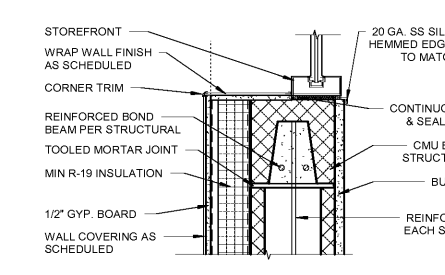
15 DETAIL - HEADER
1 1/2" = 1'-0"



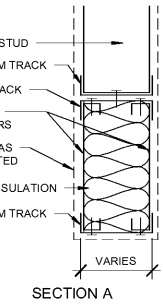
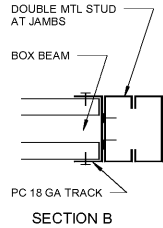
11 THRESHOLD DETAIL
3" = 1'-0"



5 STOREFRONT SILL
1 1/2" = 1'-0"

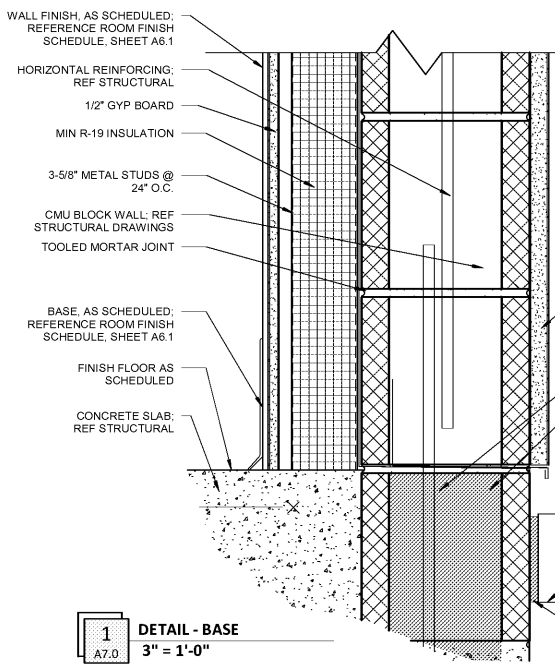


2 DETAIL - STOREFRONT SILL
1 1/2" = 1'-0"



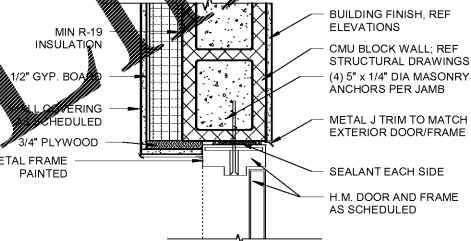
SECTION A

9 WALL CONNECTION DETAIL (TYP)
3" = 1'-0"

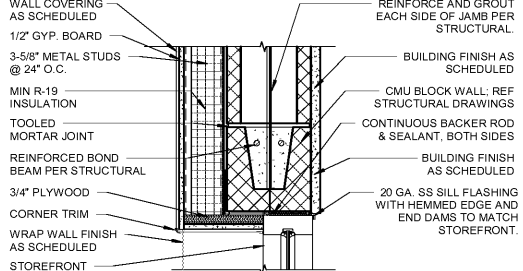


1 DETAIL - BASE
3" = 1'-0"

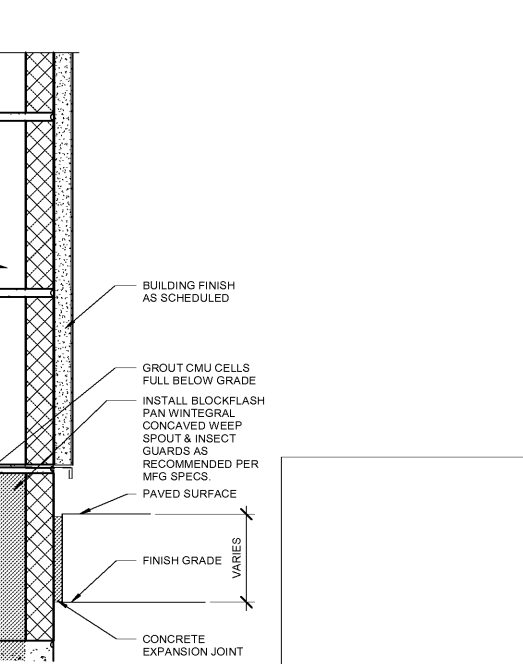
14 DOOR HEAD / JAMB DETAIL
3" = 1'-0"



10 EXTERIOR - HM DOOR JAMB / HEAD
1 1/2" = 1'-0"

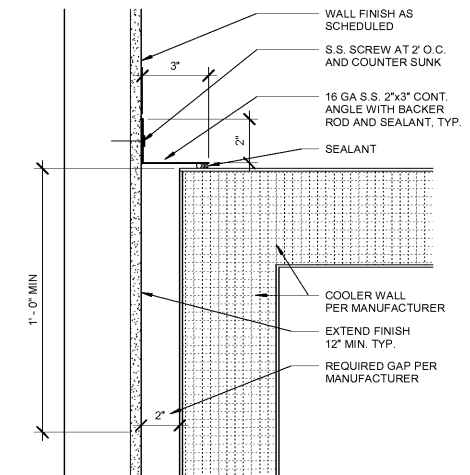


8 DETAIL - STOREFRONT JAMB/HEAD
1 1/2" = 1'-0"

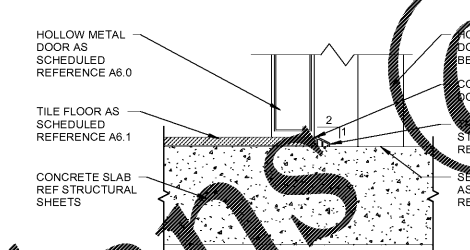


8 DETAIL - STOREFRONT JAMB/HEAD
1 1/2" = 1'-0"

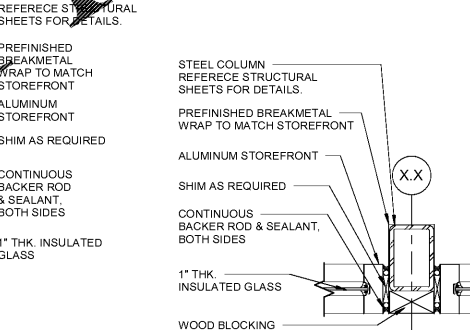
16 STUD SLIP JOINT
3" = 1'-0"



12 CLOSURE STRIP AT COOLER
3" = 1'-0"



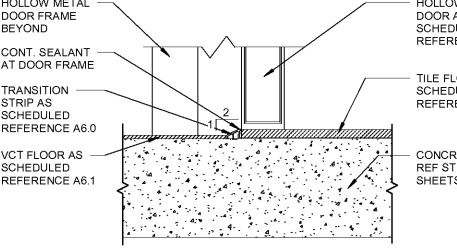
6 COOLER VAULT TRANSITION STRIP
3" = 1'-0"



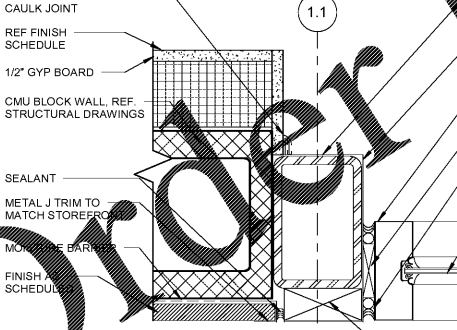
3 STOREFRONT @ CENTER POST
1 1/2" = 1'-0"

3 STOREFRONT @ CENTER POST
1 1/2" = 1'-0"

13 WATER HEATER ELEV. (SIM)
3/4" = 1'-0"

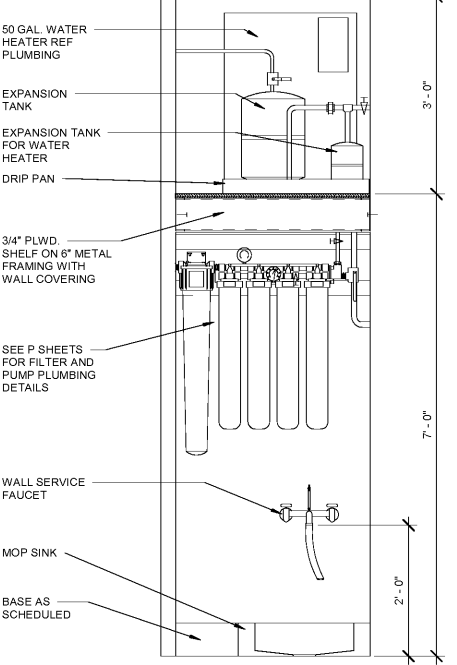


7 TILE / VCT TRANSITION STRIP
3" = 1'-0"

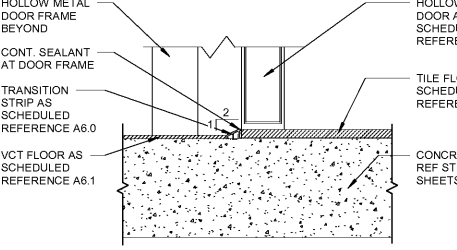


4 COLUMN DETAIL @ STOREFRONT
3" = 1'-0"

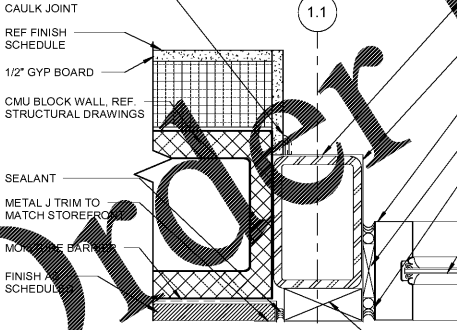
4 COLUMN DETAIL @ STOREFRONT
3" = 1'-0"



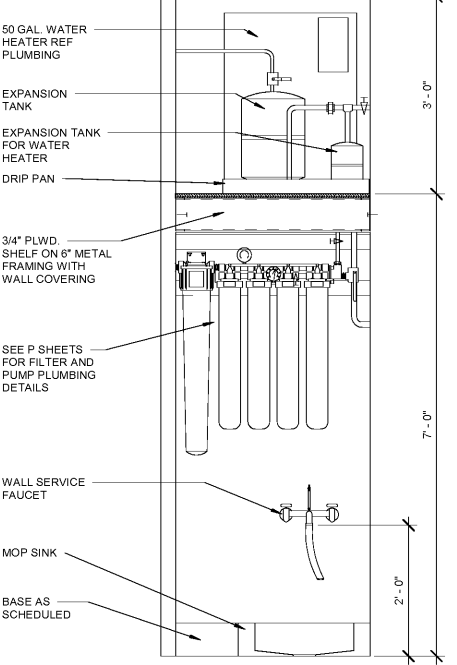
13 WATER HEATER ELEV. (SIM)
3/4" = 1'-0"



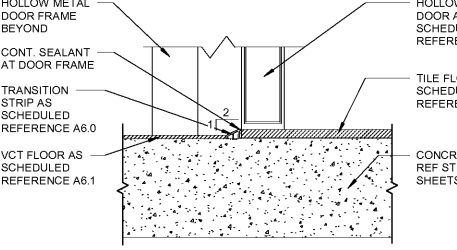
7 TILE / VCT TRANSITION STRIP
3" = 1'-0"



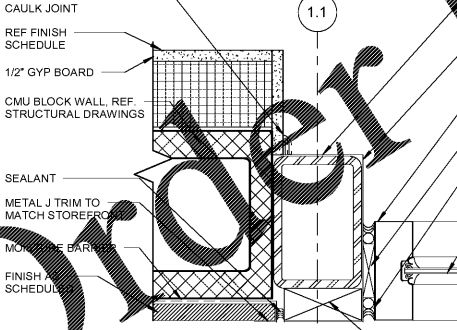
4 COLUMN DETAIL @ STOREFRONT
3" = 1'-0"



13 WATER HEATER ELEV. (SIM)
3/4" = 1'-0"



7 TILE / VCT TRANSITION STRIP
3" = 1'-0"



4 COLUMN DETAIL @ STOREFRONT
3" = 1'-0"

bates
106 N 37TH STREET, SUITE C
ROGERS, ARKANSAS 72756
WWW.BATESARCHITECTS.COM
TEL: 479.633.8227

Florida Certified Authority #12366
Changes and corrections to these drawings are the responsibility of the architect and shall remain the property of the architect. No part of these drawings shall be used on other projects or extended without the express written consent of the architect.

CONSTRUCTION MANAGER
CREIGHTON CONSTRUCTION & MANAGEMENT, LLC
900 SW PINE ISLAND ROAD, SUITE 202
CAPE CORAL, FL 33991

TENANT
7-ELEVEN INC.
3200 HACKBERRY ROAD
IRVING, TX 75063

STRUCTURAL CONSULTANT
SELECT STRUCTURAL
12573 NEW BRITANNY BLVD FORT MYERS, FL 33907

PROTO:08-21-2017

7-ELEVEN STORE
SW/O CARROLL ST. & DYER BLVD.
KISSIMMEE, FL 34741

CREIGHTON CONSTRUCTION & MANAGEMENT, LLC
900 SW PINE ISLAND ROAD, SUITE 202
CAPE CORAL, FL 33991

12/19/2017
Architect Name - RYAN M FAUST
Architect Number - AR97905
THE SEAL AND SIGNATURE APPLY ONLY TO THE DOCUMENT TO WHICH THEY ARE APPLIED AND WE HEREBY DISCLAIM ANY RESPONSIBILITY FOR ALL OTHER PLANS, SPECIFICATIONS, ESTIMATES, REPORTS OR OTHER DOCUMENTS OR INSTRUMENTS RELATING TO OR INTENDED TO BE USED FOR ANY PARTS OF THIS PROJECT.

REVISIONS	
NO.	DESCRIPTION

PROJECT NUMBER: 17111
RELEASE DATE: 12/19/2017

DETAILS

A70

12/19/2017 2:51:01 PM
BIM 366://38227 7-11 Kissimmee, FL @ Carroll St. & Dyer Blvd (17111)/38227 KISSIMMEE_FL_Central_A_R16.rvt