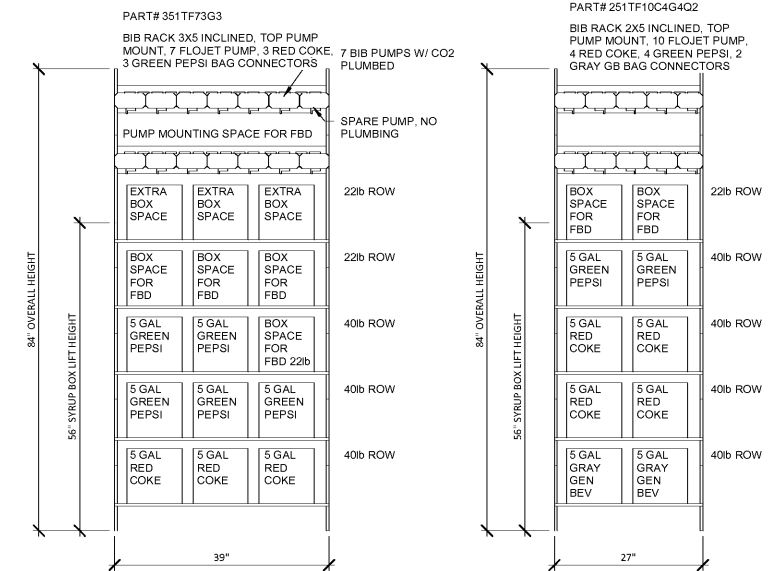
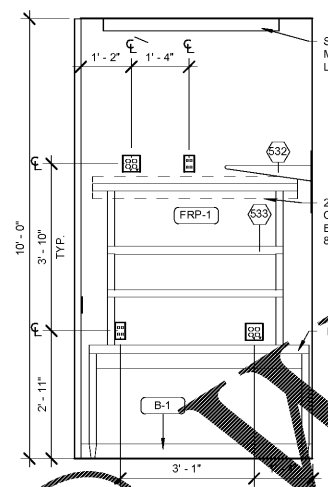


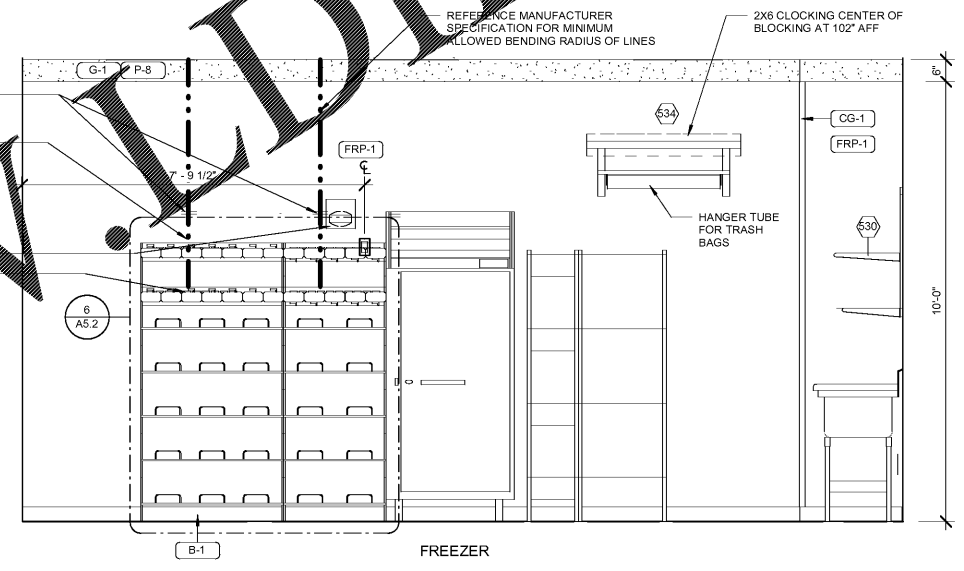
7 KEY PLAN  
1" = 10'-0"



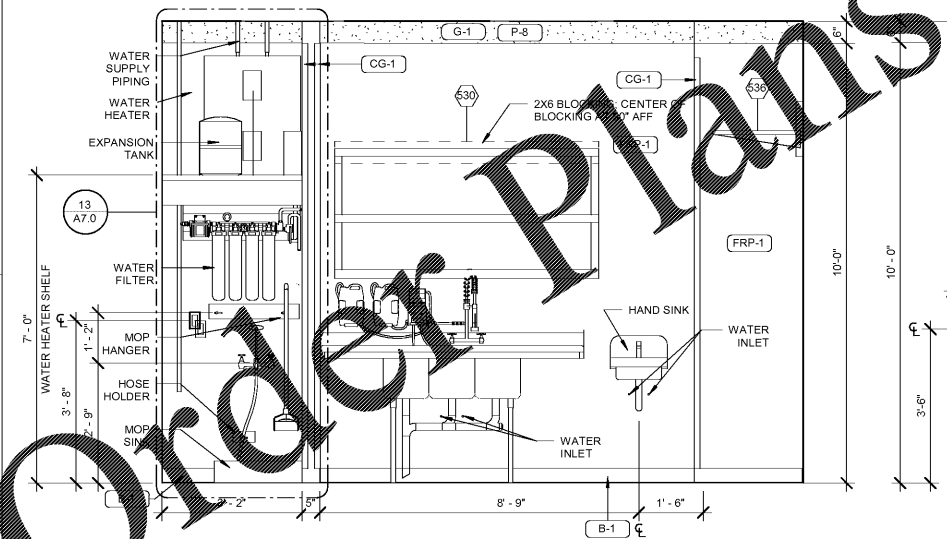
6 PLANOGRAM  
3/4" = 1'-0"



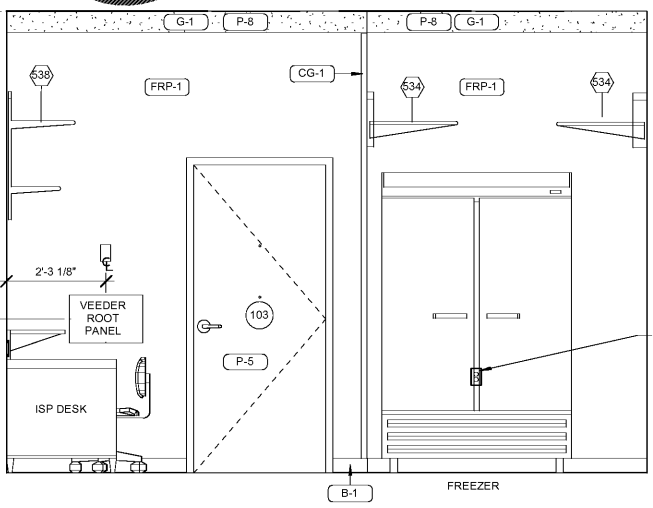
5 INTERIOR ELEVATION - OFFICE  
1/2" = 1'-0"



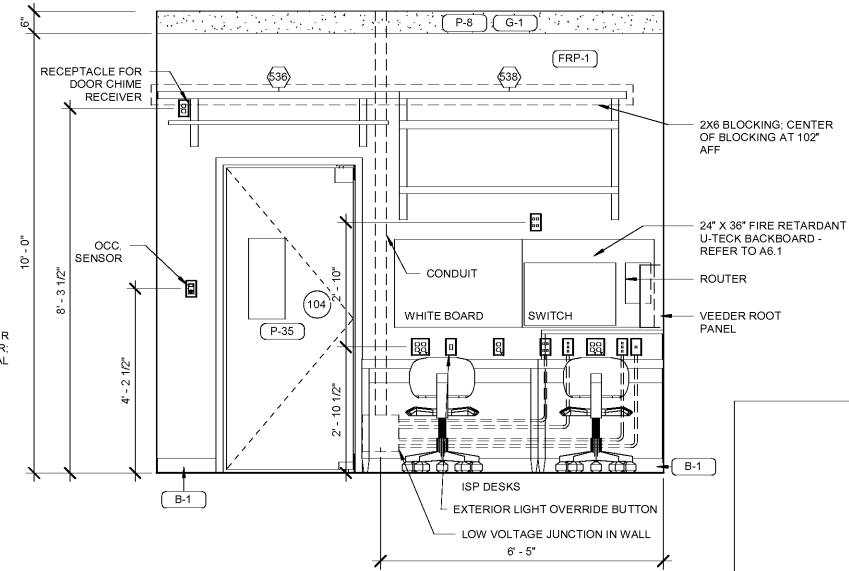
4 INTERIOR ELEVATION - BACKROOM  
1/2" = 1'-0"



3 INTERIOR ELEVATION - BACKROOM  
1/2" = 1'-0"



2 INTERIOR ELEVATION - BACKROOM  
1/2" = 1'-0"



1 INTERIOR ELEVATION - BACKROOM  
1/2" = 1'-0"

**bates**  
106 N 37TH STREET, SUITE C  
ROGERS, ARKANSAS 72756  
WWW.BATESDETECTS.COM  
TEL: 479.633.1111

Florida Certified Authority #12366  
CREIGHTON CONSTRUCTION & MANAGEMENT, LLC  
900 SW PINE ISLAND ROAD, SUITE 202  
CAPE CORAL, FL 33991

CREIGHTON CONSTRUCTION & MANAGEMENT, LLC  
900 SW PINE ISLAND ROAD, SUITE 202  
CAPE CORAL, FL 33991

TENANT  
7-ELEVEN INC.  
3200 HACKBERRY ROAD  
IRVING, TX 75063

STRUCTURAL CONSULTANT  
SELECT STRUCTURAL  
12573 NEW BRITANNY BLVD FORT MYERS, FL 33907

PROTO:08-21-2017

7-ELEVEN STORE  
SW CO CARROLL ST. & DYER BLVD.  
KISSIMMEE, FL 34741

CREIGHTON CONSTRUCTION & MANAGEMENT, LLC  
900 SW PINE ISLAND ROAD, SUITE 202  
CAPE CORAL, FL 33991

12/19/2017  
Architect Name - RYAN M FAUST  
Architect Number - AR97905

THE SEAL AND SIGNATURE APPLY ONLY TO THE DOCUMENT TO WHICH THEY ARE APPLIED AND WE SHALL NOT ASSUME ANY RESPONSIBILITY FOR ALL OTHER PLANS, SPECIFICATIONS, ESTIMATES, REPORTS OR OTHER DOCUMENTS OR INSTRUMENTS RELATING TO OR INTENDED TO BE USED FOR ANY PART OF A PROJECT.

REVISIONS	
NO.	DATE

PROJECT NUMBER: 17111  
RELEASE DATE: 12/19/2017

INTERIOR ELEVATIONS

A52