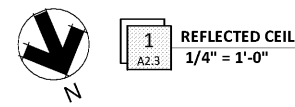
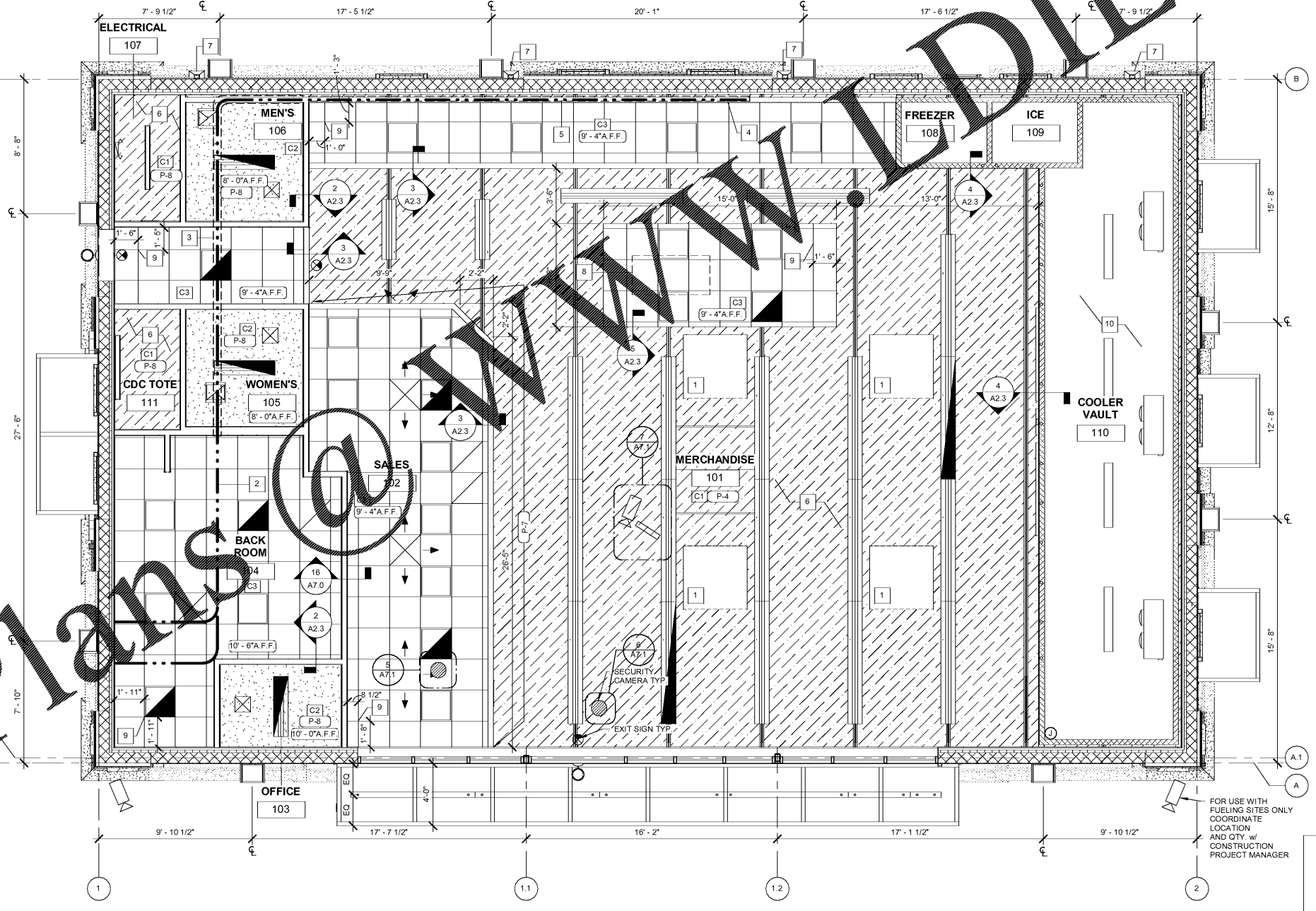
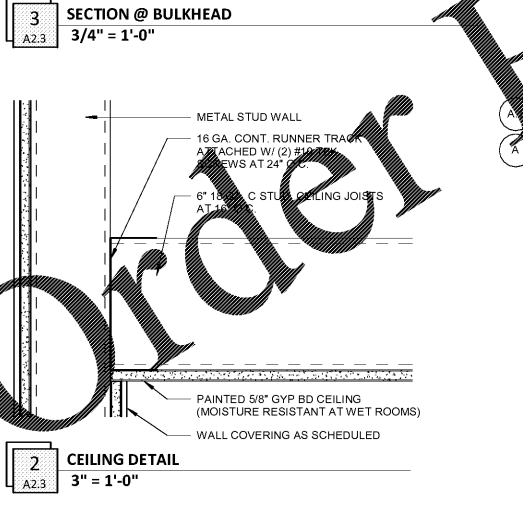
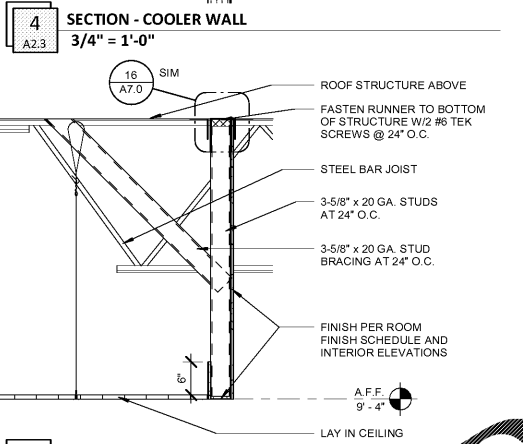
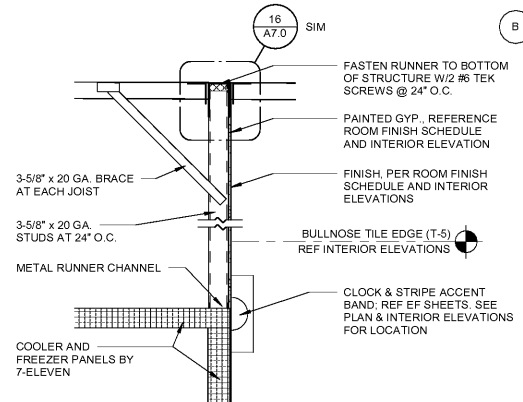
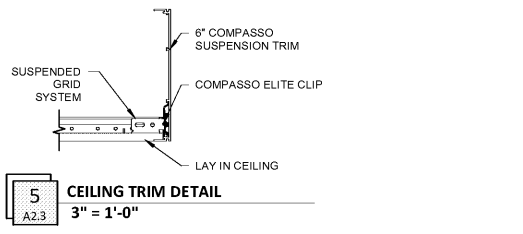


REFLECTED CEILING PLAN SYMBOLS					
	FOUR WAY AIR DIFFUSER		SECURITY CAMERA		GYP BOARD CEILING
	TRANSFER GRILL RETURN AIR DIFFUSER		PAINTED EXPOSED STRUCTURE		WALK IN COOLER EVAPORATOR
	CEILING EXHAUST		EXIT SIGN		LED LIGHT FIXTURE REF. ELECTRICAL
	SECURITY MONITOR		SUSPENDED CEILING GRID (A-1)		8' LED LIGHT FIXTURE REF. ELECTRICAL
	SECURITY CAMERA		2x2 LED LIGHT FIXTURE REF. ELECTRICAL		EMERGENCY LIGHT FIXTURE REF. ELECTRICAL
	EXTERIOR WALL PACK REF. ELECTRICAL		EMERGENCY LED LIGHT FIXTURE REF. ELECTRICAL		2x2 LED EMERGENCY LIGHT FIXTURE REF. ELECTRICAL
	EXTERIOR EMERGENCY EGRESS LIGHT				

KEYNOTES - RCP	
1	SKYLIGHT
2	SYRUP LINE 974 SERIES (974R AT FIRE RATED WALLS) ATTACHED TO BOTTOM OF DECK WITH 3/4" WIDE 16 GAUGE GALVANIZED PIPE STRAPS AT 4' O.C.
3	6" DIA PVC CONDUIT ABOVE CEILINGS FOR SYRUP LINES ROUTE (2) BUNDLES OF 14 SYRUP LINES PER 6" PVC CONDUIT AS REQUIRED SEAL TO WALL FINISH AT PENETRATIONS AND APPLY SPRAY FOAM ON INTERIOR OF CONDUIT AT ENDS TO SEAL AROUND SYRUP LINES (TYP THROUGHOUT WALLS)
4	SYRUP LINES TO POSTMIX INSTALL IN PVC CONDUIT TO WALL POCKET BELOW AND SEAL AS REQUIRED
5	SYRUP LINES TO SLURPEE DISPENSERS INSTALL IN PVC CONDUIT TO WALL POCKET BELOW AND SEAL AS REQUIRED.
6	PAINT CEILINGS AND STRUCTURE.
7	PREFINISHED METAL SCUPPER AND DOWNSPOUT TYP.
8	HANGING COFFEE SIGN, CENTER CEILINGS OVER COFFEE BAR.
9	LAY IN CEILING ORIGIN POINT.
10	PREMANUFACTURED INSULATED COOLER VAULT CEILING. BUILDING CEILING ABOVE IS UNFINISHED EXPOSED STRUCTURE

A2.3 - GENERAL NOTES	
1.	ALL WALL PAINT ABOVE 9'-4" IN THE MERCHANDISE / SALES AREAS SHALL BE "P-4" UNLESS NOTED OTHERWISE ON THE REFLECTED CEILING PLAN. (REFERENCE SHEET A6-1 FOR MATERIALS SCHEDULE)
2.	SYRUP LINE INSTALLATION NOTE: WHERE REQUIRED BY CODE OR AS INDICATED ON PLAN CABLED BUNDLE SYRUP LINES SHALL BE INSTALLED IN PVC CONDUIT (METAL CONDUIT FOR FR LINES) W/ 45 DEGREE SWEEPS AT CORNER AND "TEE" CONNECTIONS. CONDUIT SHALL BE ATTACHED TO WALL AND UNDERSIDE OF ROOF CONSTRUCTION W/ PIPE STRAPS AS REQUIRED. REFERENCE MANUFACTURE SPECIFICATIONS FOR MINIMUM ALLOWED BENDING RADIUS OF LINES.
3.	VERIFY NUMBER OF SYRUP LINES TO NUMBER OF SYRUP AND POST MIX MACHINES.
4.	PROVIDE ACCESS PANEL WHEN EQUIPMENT IS PRESENT ABOVE COOLER VAULT.

CEILING SCHEDULE	
TYPE	DESCRIPTION
C1	OPEN TO CEILING STRUCTURE W/ EXPOSED TRUSSES
C2	GYP BD CEILING
C3	LAY IN ACOUSTICAL CEILING TILE



bates
 106 N 37TH STREET, SUITE C
 ROGERS, ARKANSAS 72756
 WWW.BATESINSPECTS.COM
 TEL: 479.633.8888

Florida Certified Authority #12366
 Copyright © 2017 Bates Inspects, Inc. All rights reserved. This document is the property of Bates Inspects, Inc. and shall remain the property of Bates Inspects, Inc. No part of this document may be reproduced, stored in a retrieval system, or transmitted in any form or by any means, electronic, mechanical, photocopying, recording, or by any information storage and retrieval system, without the prior written permission of Bates Inspects, Inc.

STORE #:
 38227

CONSTRUCTION MANAGER
 CREGHTON CONSTRUCTION & MANAGEMENT, LLC
 900 SW PINE ISLAND ROAD, SUITE 202
 CAPE CORAL, FL 33991

TENANT
 7-ELEVEN INC.
 3200 HACKBERRY ROAD
 IRVING, TX 75063

STRUCTURAL CONSULTANT
 SELECT STRUCTURAL
 12573 NEW BRITANNY BLVD FORT MYERS, FL 33907

PROTO:08-21-2017

7-ELEVEN STORE
 SW/O CARROLL ST. & DYER BLVD.
 KISSIMMEE, FL 34741

CREGHTON CONSTRUCTION & MANAGEMENT, LLC
 900 SW PINE ISLAND ROAD, SUITE 202
 CAPE CORAL, FL 33991

12/19/2017
 Architect Name - RYAN M FAUST
 Architect Number - AR97905

THE SEAL AND SIGNATURE APPLY ONLY TO THE DOCUMENT TO WHICH THEY ARE APPLIED AND WE HEREBY DISCLAIM ANY RESPONSIBILITY FOR ALL OTHER PLANS, SPECIFICATIONS, ESTIMATES, REPORTS OR OTHER DOCUMENTS OR INSTRUMENTS RELATING TO OR INTENDED TO BE USED FOR ANY PARTS OF THIS PROJECT.

REVISIONS		
NO.	DATE	DESCRIPTION

PROJECT NUMBER: 17111
 RELEASE DATE: 12/19/2017

REFLECTED CEILING PLAN

A23